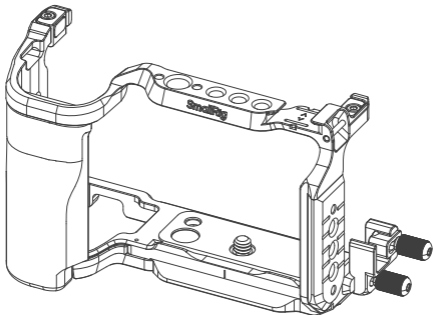


# SmallRig



## HawkLock Quick Release Cage Kit for Sony ZV-E10 II

索尼 ZV-E10 II 迅鹰快拆拓展框套件

Operating Instruction / 操作指引

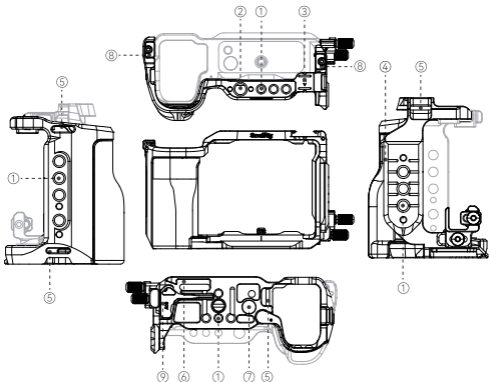
- Thank you for purchasing SmallRig's product.  
感谢您购买 SmallRig 产品。
- Please read this Operating Instruction carefully.  
使用本产品之前，请仔细阅读操作指引。
- Please follow the safety warnings.  
请注意所有警告提示并遵循使用操作指引的所有指令。

## In the Box / 包装清单

Cage with Silicone Handle × 1  
带硅胶手柄拓展框

HDMI Cable Clamp × 1  
HDMI 线夹

## Product Details / 产品介绍



① 1/4"-20 Threaded Hole  
1/4"-20 螺纹孔

② ARRI 3/8"-16 Locating Hole  
阿莱定位孔

③ Cold Shoe Mount  
冷靴

④ NATO Rail  
滑条

⑤ Strap Slot  
肩带 / 腕带接口

⑥ Arca-Swiss Plate  
阿卡规格快装板

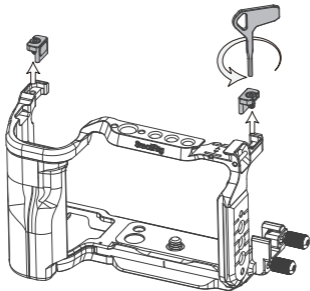
⑦ QD Socket  
QD 接口

⑧ Side Lock Adapter  
定位压块

⑨ Dual Head Wrench  
双头扳手

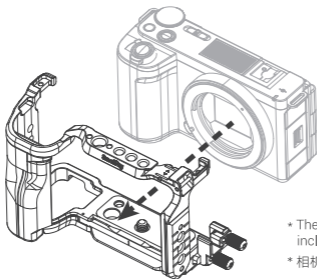
## Cage Installation / 拓展框安装步骤

- \* Before installation, please use the Dual-Head Wrench to remove the side lock adapters on both sides of the cage first.
- \* 安装前，请先使用双头扳手，取下拓展框两侧定位压块。



Step 1: Put the camera into the cage from back to the front.

第一步：将相机从后往前放入拓展框。

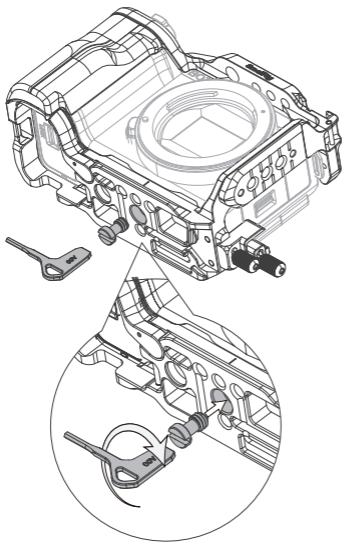


\* The package does not include the camera.

\* 相机机身需另购

Step 2: Secure the cage use the Dual-Head Wrench to tighten the 1/4"-20 screw.

第二步：通过双头扳手拧紧底部1/4"-20螺丝，锁紧固定拓展框。



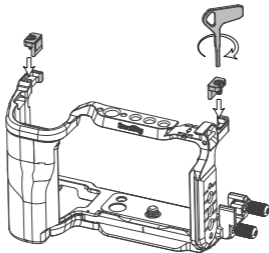
\* The package does not include the camera.

\* 相机机身需另购

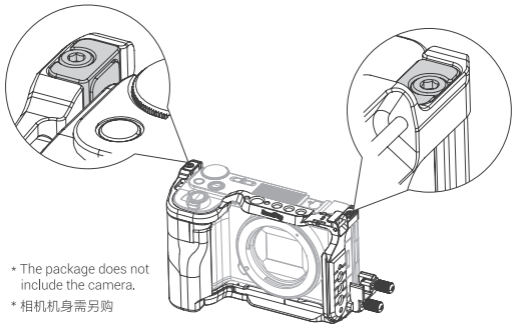
**Step 3:** Align the side lock adapters with the shoulder strap slots on both sides of the camera, and then use the Dual-Head Wrench to tighten the M3 screws to the side lock adapters on both sides.

**第三步:** 将双侧定位压块对准相机两侧肩带槽，通过双头扳手拧紧双侧定位压块的M3螺丝，固定拓展框和相机。

1



2



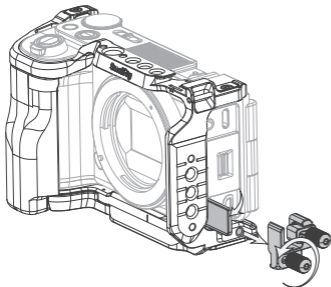
\* The package does not include the camera.

\* 相机机身需另购

## HDMI Cable Clamp Installation Instruction / HDMI线夹安装步骤

Step 1: Remove the cable clamp and open the camera HDMI interface cover.

第一步: 将线夹拆下, 并打开相机HDMI接口盖。

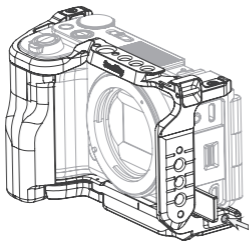


\* The package does not include the camera.

\* 相机机身需另购

Step 2: Use thumbscrew align the cable clamp to the corresponding position and lock it to the cage.

第二步: 通过手拧螺丝将线夹对准相应位置锁紧至拓展框。

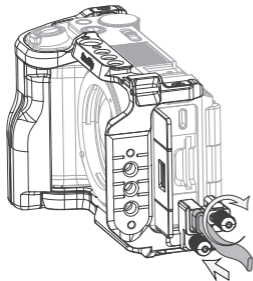


\* The package does not include the camera.

\* 相机机身需另购

**Step 3:** Insert the cable and tighten the thumbscrews to secure the cable.

**第三步:** 插入线材，通过手拧螺丝锁紧固定线材。



\* The package does not include the camera.

\* 相机机身需另购

## Specifications / 产品参数

Product Dimensions 产品尺寸	6.0 × 3.4 × 2.5in 152.1 × 85.8 × 63.4mm
Product Weight 产品重量	6.0 ± 0.2oz 170.0 ± 5.0g
Material (s) 主要材质	Aluminum Alloy, Stainless Steel, Silicone 铝合金、不锈钢、硅胶
Compatibility 适配性	Sony ZV-E10 II 索尼 ZV-E10 II

\* Specifications subject to change without prior notice. Please refer to the physical product for the most up-to-date information.

技术参数如有改动，以实物为准，恕不另行通知。

Manufacturer: Shenzhen Leqi Innovation Co., Ltd.

Add: Rooms 103, 501 and 601, Building 5, Fenghe Industrial Park, Nos. 1301-50 Guanguang Road, Longhua District, Shenzhen, Guangdong, China.

制造商: 深圳市乐其创新股份有限公司

地址: 中国广东省深圳市龙华区观澜街道新澜社区观光路 1301-50 号丰和工业园厂房 5 栋 103、501、601

Consignor: Shenzhen LC Co., Ltd.

Add: Rooms 602, Building 5, Fenghe Industrial Park, No. 1301-50 Guanguang Road, Xinlan Community, Guanlan Street, Longhua District, Shenzhen, Guangdong, China.

委托商: 深圳市乐长科技有限公司

地址: 中国广东省深圳市龙华区观澜街道新澜社区观光路 1301-50 号丰和工业园厂房 5 栋 602

执行标准: GB/T 26572-2011

LQ-P1345-18



CE RoHS



中国制造

Made in China