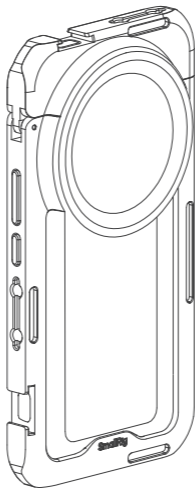


SmallRig



Mobile Video Cage for Xiaomi 14 Ultra

小米 14 Ultra 专用拓展框

Operating Instruction / 操作指引

- Thank you for purchasing SmallRig's product.
感谢您购买 SmallRig 产品。
- Please read this Operating Instruction carefully.
使用本产品之前，请仔细阅读操作指引。
- Please follow the safety warnings.
请注意所有警告提示并遵循使用操作指引的所有指令。

Introduction / 产品简介

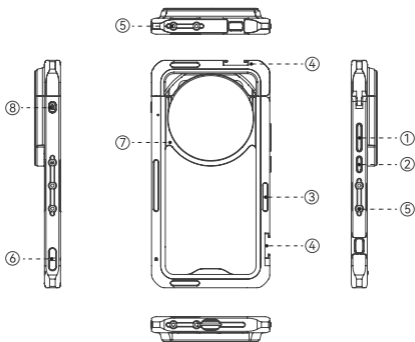
Welcome to the all-new SmallRig Mobile Video Cage for Xiaomi 14 Ultra, which provides a professional and convenient solution for mobile users in video shooting and live streaming. Designed specifically for Xiaomi 14 Ultra, this video cage ensures unobstructed access to phone buttons during shooting, and it can provide a tight fit for the mobile phone with all-round security protection. Featuring two cold shoe mounts, 1/4"-20 threaded holes and 67mm threaded filter mount, it supports the attachment of accessories such as lights, microphones, tripods, side grips, top handles, and filters for enhanced shooting videos, whether handheld or on a stable tripod. When integrating a side handle / top handle / tripod, this product not only accommodates the conventional 1/4"-20 screw connections for such accessories but also embraces SmallRig's innovative quick-release ecosystem, ensuring seamless, robust, and efficient setups.

欢迎使用全新SmallRig 小米14 Ultra 专用拓展框，本品为手机用户影像拍摄和直播提供专业且便捷的解决方案。该拓展框为小米14 Ultra专属设计，拍摄时不影响手机按键使用，且能为手机提供紧密贴合的全方位安全保护。通过框体上两个冷靴口、1/4"-20 螺纹孔、67mm 螺纹滤镜安装接口，拓展框在手机拍摄时可支持拓展灯光、麦克风、三脚架、侧手柄、上手提、滤镜等设备，搭建手持拍摄或三脚架稳定拍摄的场景。在拓展手柄/上手提 / 三脚架时，本品不仅可兼容常规1/4"-20 螺丝连接的手柄 / 上手提 / 三脚架，也支持SmallRig 全新的快拆生态系统，方便快捷，稳固高效。

In the Box / 包装清单

Cage	× 1
拓展框	
Operating Instruction	× 1
操作指引	
Guarantee Card	× 1
保修卡	

Product Details / 产品介绍



① Volume Button
音量键

② Screen Lock / Unlock
锁屏键

③ Quick Release Slot
快拆卡槽

④ Cold Shoe Mount
冷靴口

⑤ 1/4"-20 Threaded Hole
1/4"-20 螺纹孔

⑥ Wristband Hole
腕带孔

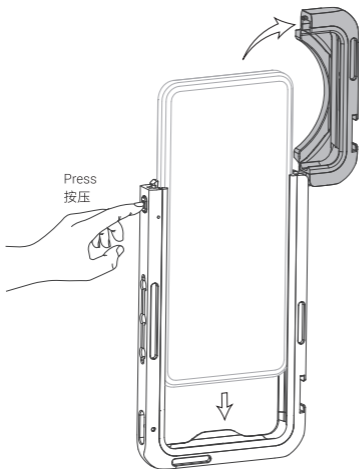
⑦ 67mm threaded filter mount
67mm 螺纹滤镜安装接口

⑧ Lock / Unlock Button
解锁按钮

Usage / 功能说明

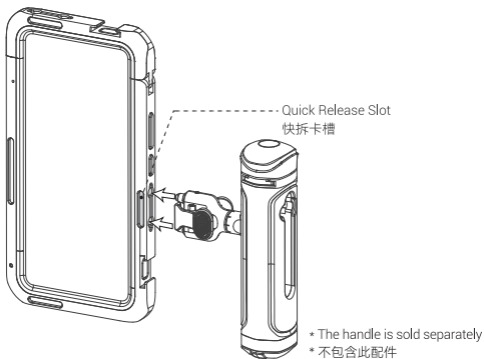
1. Attach the Phone: Press the unlock button on the left side of the cage, open the cover, and slowly slide the phone into the cage body. Then close and press the upper cover until you hear a "click" sound, indicating that the upper cover and lower body are locked.

装载手机: 按压拓展框解锁按钮，打开拓展框上盖，将手机缓慢滑入拓展框主体。随后合上并按压拓展框上盖直至听见“咔哒”声，表明拓展框上下盖已锁止。



2. Advanced functions: There are multiple standard 1/4"-20 Threaded Holes on each side of the cage for extending side handles, top handles, and tripods with 1/4"-20 screws. There are two standard Cold Shoe Mounts on the cage, which can be used to attach the light, microphone, and other equipment with the cold shoe.

拓展功能: 在拓展框四边框体上分别有标准1/4"-20 螺纹孔, 用于拓展以1/4"-20 连接的侧手柄、上手提和三脚架。拓展框有2个标准冷靴口, 用于拓展以冷靴连接的补光灯、麦克风等设备。

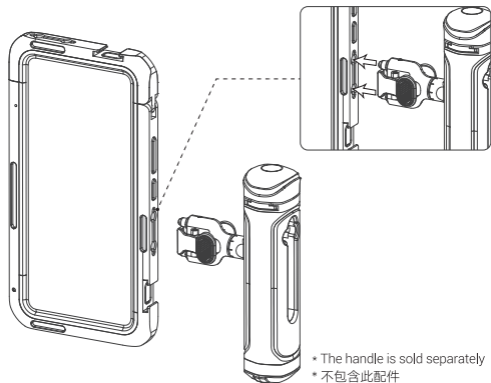


3. Quick Release: There is a Quick Release Slot on each of the four sides of the cage frame. The Quick Release Slot interfaces with the 1/4"-20 threaded holes on the cage, expanding SmallRig's unique Quick Release Ecosystem.

快拆拓展: 在拓展框四边框体上分别有1个快拆卡槽，卡槽与框体上的1/4"-20 螺纹孔相互配合，可拓展SmallRig独有的快拆生态系统。

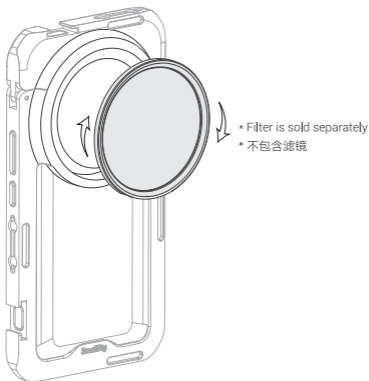
Quick Release Lock: As shown below, align the Locating Pins on the Quick Release Adapter with the upper and lower 1/4"-20 threaded holes on the cage, and press the side handle (Note: No need to press the Unlock Button simultaneously). There will be a "click" sound, indicating that the side handle has been successfully locked into the cage.

快拆锁定: 将快拆转接头上的定位柱对准拓展框上的上下两个1/4"-20 螺纹孔，侧向按压侧手柄（注意：无需按住解锁按钮）直至快拆锁扣发出“咔哒”声，表明锁扣已成功锁入快拆卡槽。



4.Install Filters: The video cage supports direct installation of 67mm threaded filters, eliminating the need for a filter adapter ring. Filters are to be purchased separately.

安装滤镜：拓展框可直接安装67mm螺纹滤镜，无需通过滤镜转接环，滤镜需另外单独购买。



Manufacturer: Shenzhen Leqi Innovation Co., Ltd.

Add: Rooms 103, 501 and 601, Building 5, Fenghe Industrial Park, Nos. 1301-50 Guangang Road, Longhua District, Shenzhen, Guangdong, China.

制造商: 深圳市乐其创新股份有限公司

地址: 中国广东省深圳市龙华区观澜街道新澜社区观光路 1301-50 号丰和工业园
厂房 5 栋 103、501、601

Consignor: Shenzhen LC Co., Ltd.

Add: Rooms 602, Building 5, Fenghe Industrial Park, No. 1301-50 Guangang Road, Xinlan Community, Guanlan Street, Longhua District, Shenzhen, Guangdong, China.

委托商: 深圳市乐长科技有限公司

地址: 中国广东省深圳市龙华区观澜街道新澜社区观光路 1301-50 号丰和工业园
厂房 5 栋 602

执行标准: GB/T 26572-2011

LQ-P1296-18

CE RoHS



Made in China

中国制造

