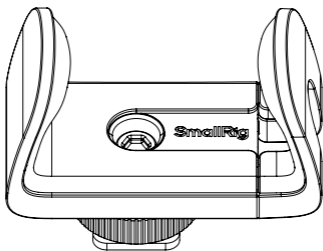


SmallRig

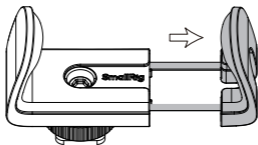


Power Bank Clamp 充电宝夹

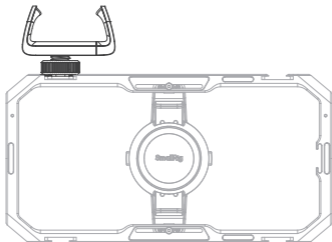
Operating Instruction / 操作指引

- Thank you for purchasing SmallRig's product.
感谢您购买 SmallRig 产品。
- Please read this Operating Instruction carefully.
使用本产品之前，请仔细阅读操作指引。
- Please follow the safety warnings.
请注意所有警告提示并遵循使用操作指引的所有指令。

1. **Install the power bank:** Pull the clip and put the power bank in.
安装充电宝：推开弹簧夹，放入充电宝。



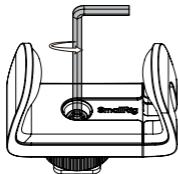
2. **Fix the power bank clip on the cold shoe mount for use.**
将充电宝夹固定于冷靴口上使用。



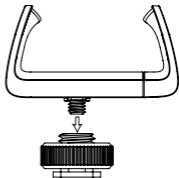
3. Use an Allen wrench to release the 1/4-20" screw counterclockwise from the cold shoe base until completely disengaged, and then attach the power bank clip to the 1/4-20" threaded hole of the device.

用六角扳手逆时针释放1/4-20" 螺丝与冷靴底座直至完全脱离，随后可将充电宝夹固定于设备的1/4-20" 螺纹孔上。

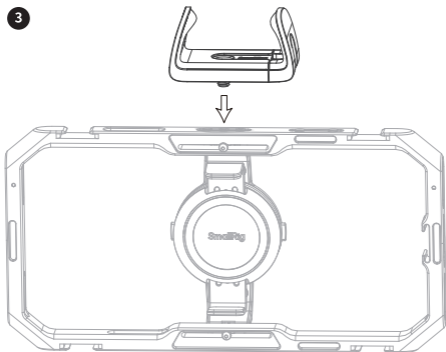
1



2



3



Manufacturer: Shenzhen Leqi Innovation Co., Ltd.

制造商: 深圳市乐其创新股份有限公司

Add: Rooms 103, 501 and 601, Building 5, Fenghe Industrial Park, Nos. 1301-50
Guanguang Road, Longhua District, Shenzhen, Guangdong, China.

地址: 中国广东省深圳市龙华区观澜街道新澜社区观光路 1301-50 号丰和工业园厂房
5 栋 103、501、601

Consignor: Shenzhen LC Co., Ltd.

委托商: 深圳市乐长科技有限公司

Add: Rooms 602, Building 5, Fenghe Industrial Park, No. 1301-50 Guanguang Road,
Xinlan Community, Guanlan Street, Longhua District, Shenzhen, Guangdong, China.

地址: 中国广东省深圳市龙华区观澜街道新澜社区观光路 1301-50 号丰和工业园厂房
5 栋 602

CE RoHS



执行标准: GB/T 26572-2011

Made in China | 中国制造

