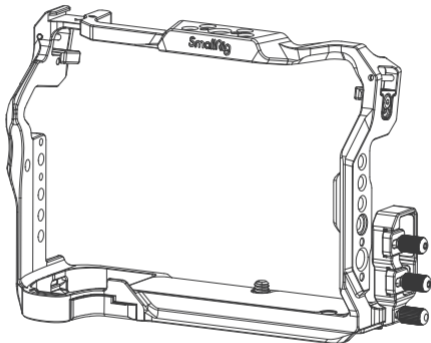


# SmallRig



## Cage Kit for FUJIFILM GFX100 II

User Manual

Thank you for purchasing SmallRig's product.

## Warnings

- Please read this User Manual carefully.
- Please keep the user manual properly, and be sure to attach this user manual when handing over the product to others.
- Please heed all warnings and follow all instructions in the owner's manual.

## In the Box

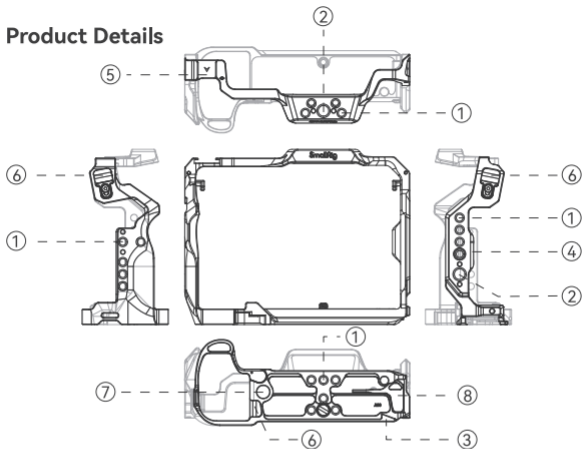
Cage × 1

M3 Screw × 2

Side Lock Adapter × 2

HDMI & USB-C Cable Clamp × 1

## Product Details



① 1/4"-20 Threaded Hole

④ NATO Rail

⑦ QD Socket

② ARRI 3/8"-16 Locating Hole

⑤ Cold Shoe Mount

⑧ Dual-Head Wrench

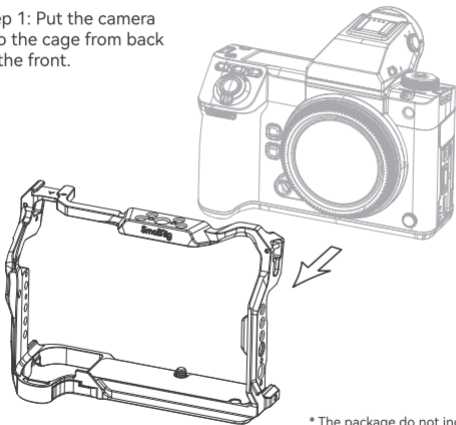
③ Arca-Swiss Quick Release Plate

⑥ Shoulder / Wrist Strap Slot

# Cage Installation Instruction

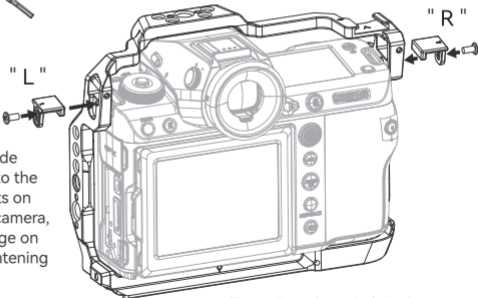
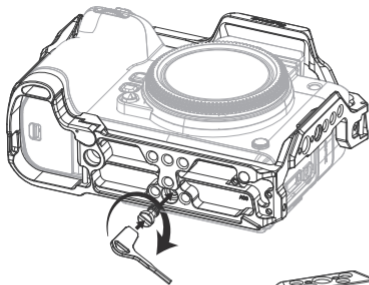
## Install the Cage

Step 1: Put the camera into the cage from back to the front.



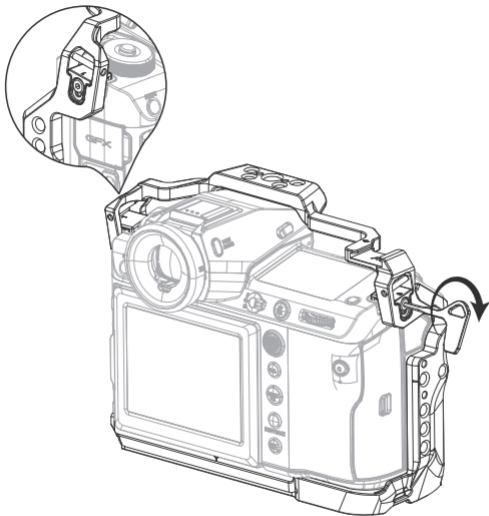
\* The package do not include the camera

Step 2: Lock the cage via tightening the 1/4"-20 screw on the bottom.



Step 3: Press the side lock adapter ② into the shoulder strap slots on both sides of the camera, then fasten the cage on the camera by tightening the M3 screws.

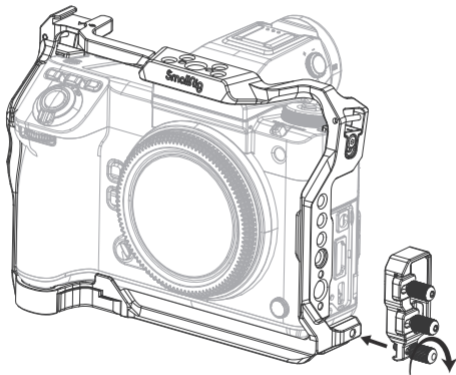
\* The package do not include the camera



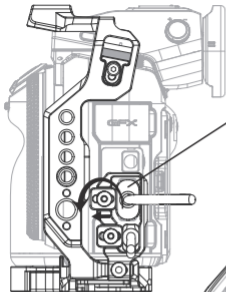
\* The package do not include the camera

## HDMI & USB-C Cable Clamp Installation Instruction

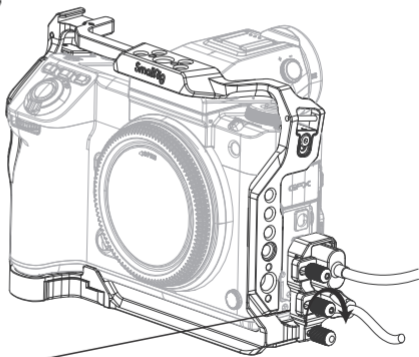
Step 1: Lock the cable clamp to the cage by tightening the thumbscrew.



\* The package do not include the camera



Step 2: Loosen the thumbscrew, then insert the HDMI & USB-C cables.



Step 3: Tighten the thumbscrew to secure the cable.

\* The package do not include the camera



## Specifications

Product Dimensions	167.5 × 64.1 × 130.5mm
Product Weight	209 ± 5g
Material(s)	Aluminum Alloy