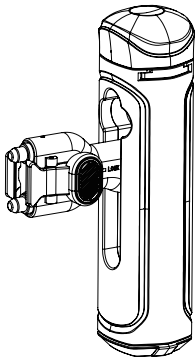


SmallRig



Quick Release Side Handle

User Manual

In order to ensure user's safety and prevent the product damages caused by any improper use, please carefully read the "Warnings" below and properly keep this User Manual for future reference.

Foreword

Thank you for purchasing SmallRig's product.

Warnings

- Please read this User Manual carefully.
- Please keep the user manual properly, and be sure to attach this user manual when handing over the product to others.
- Please heed all warnings and follow all instructions in the owner's manual.

Intended Use

- Please read this User Manual carefully, especially the "Warnings".
- Please use or store the product in the environment mentioned herein.
- It will be regarded as improper use when the users are not correctly following the user manual or using the product under the specific working condition.



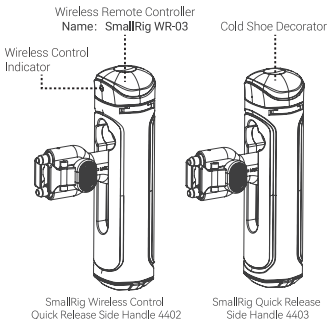
Please do not disassemble the product or change its battery. If you have any question, please contact the seller to apply after-sales service.

Product Introduction

Welcome to use the new SmallRig Quick Release Side Handle, which works with the mobile phone cage to provide solutions for dual-handheld and low-camera shooting. The handle adapts to SmallRig's new quick release cages, which can be quickly installed and

removed through the quick release system. The sides of the handle are slotted vertically and horizontally, enabling the side handle and top handle functions respectively.

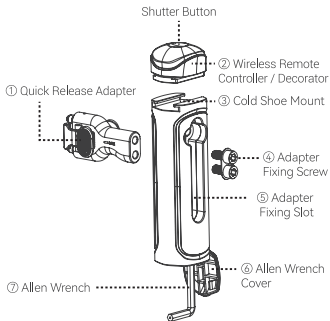
The product is available in two items: wireless control version and non-wireless control version.



In the Box

Handle	× 1
Quick Release Adapter	× 1
Wireless Remote Controller / Decorator	× 1
User Manual	× 1

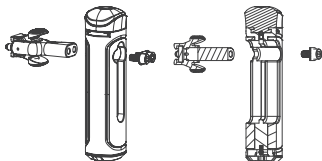
Product Details



Functions

(1) Side Handle Function: as shown in the figure above, the side handle function can be realized by using the Allen Wrench ⑦ to install and fix the Quick Release Adapter ① and the Adapter Fixing Slot ⑤ in the same direction.

(2) Top Handle Function: use the Allen Wrench ⑦ to install and fix the Quick Release Adapter ① and the Adapter Fixing Slot ⑤ in a vertical direction to realize the top handle function. As shown in the following figure.

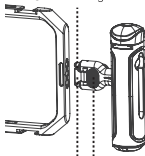


Schematic Diagram of Top Handle Installation

*** Important:** In Top Handle mode, to avoid accident unlocking and for the best experience, please install the quick release adapter on the outer side of the Adapter Fixing Slot.

(3) Quick Release Lock: as shown in the figure below, align the Positioning Pins ⑧ on the Quick Release Adapter with the upper and lower 1/4"-20 threaded holes on the cage, and press the side handle sideways (Note: no need to press and hold the Unlock Button ⑩) until the Quick Release Lock ⑨ makes a "click" sound, indicating that the lock has been successfully locked into the cage.

⑧ Positioning Pin



⑨ Quick Release Lock ⑩ Unlock Button

(4) Quick Release Unlock: press the Unlock Button ⑩ in the picture above on both sides to realize the quick release mechanism unlocking.

(5) Wireless Remote Control: SmallRig Wireless Remote Control Quick Release Side Handle 4402 is capable for wireless shutter function, the operating instructions are shown in the following table:

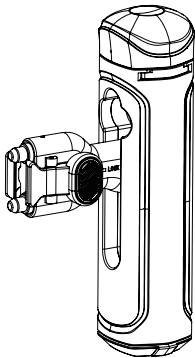
Shutter Name	SmallRig WR-03	
Turning On	Press the button for 2 seconds to turn on, the indicator light flashes quickly for 8 seconds to enter the pairing state, and the indicator light flashes green slowly in the pairing state	The indicator flashes green
Turning Off	Press the button for 2 seconds, the indicator light will be on for 2 seconds, flash 2 times and then turn off	The indicator turns off
No Paired Connection	The indicator flashes green slowly	The indicator flashes slowly
Paired Connection	After successful pairing, the indicator light turns off. Automatic turn off after 10 minutes of no operation.	The indicator turns off
Automatically Turning Off	Automatic turn off after no operating for 3 minutes without pairing	The indicator flashes off
Photographing	Press the button shortly and the green light flashes once	The green light flashes once
Video Shooting	Press the button shortly to turn on shooting, and the green light flashes once; Press the button again to stop shooting and the green light flashes once	The green light flashes once

Low Battery	When the battery voltage is below 2.5V, the indicator flashes red	The indicator flashes red slowly
Automatic Pairing	After turning on, if the wireless control of the last paired mobile phone is turned on, it will be connected automatically	
Automatic Pairing after Wake up from Sleep Mode	After waking up from sleep, if the wireless control of the last paired mobile phone is turned on, it will be connected automatically	
Unpair the Phone	When connected, unpair the phone, the remote controller will enter the unpaired connection state	The indicator flashes green slowly
Unpair due to Distance	If the distance between the remote controller and the mobile phone is too far (greater than 10m), the remote controller will enter the unpaired connection state	The indicator flashes green slowly

Wireless Remote Controller Specifications

Operating Power Consumption	15mW
Standby Power Consumption	0.006mW
Battery	CR2032 225mAh
Voltage	3V
Current	0.2A
Operating Temperature	-30 C to 60 C
Wireless Control Distance	10m
Wireless Controller Frequency	2.4G Hz
Battery Specification	3V / 230mAh / 0.69Wh

SmallRig



快拆侧手柄

用户手册

为了保障使用者的安全以及防止不当使用导致产品损坏，请认真阅读本用户手册，并妥善保管，以备随时查阅。

前言

感谢您购买 SmallRig 产品。

重要提示

- 使用本产品之前，请仔细阅读用户手册。
- 请妥善保管用户手册，将产品交给他人使用时，请务必附带本用户手册。
- 请注意所有警告提示并遵循使用用户手册内的所有指令。

设备使用规范

- 请仔细阅读本用户手册，特别是“重要提示”部分。
- 请在本用户手册规定的环境条件下使用或保存本产品。
- 如不按照本用户手册使用产品，或不遵守规定的工作和保存条件，将被视为违规使用。

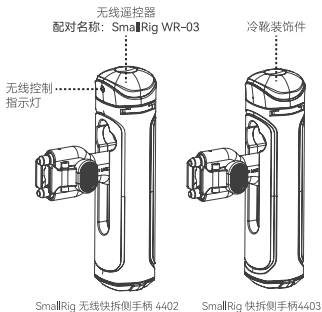


请勿拆卸产品或更换电池，如果您怀疑产品有任何问题，请联络购买平台，申请售后处理。

产品简介

欢迎使用全新 SmallRig 快拆侧手柄，本品通过与拓展框搭配，为手机双手持拍摄和低机位拍摄提供高效解决方案。该手柄适配于 SmallRig 全新快拆系列拓展框，通过拓展框上的快拆卡槽、1/4"-20螺纹孔和手柄转接头相互配合，可实现手柄快速安装和拆卸。手柄侧面在垂直和水平方向上开槽，可分别实现侧手柄和上手提功能。

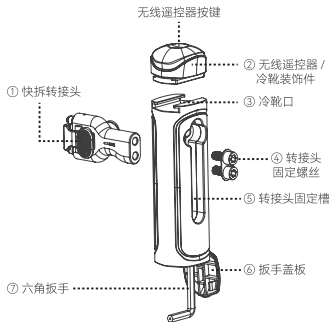
本品分为无线控制版和非无线控制版。



包装清单

手柄	× 1
快拆转接头	× 1
无线遥控器 / 冷靴装饰件	× 1
用户手册	× 1

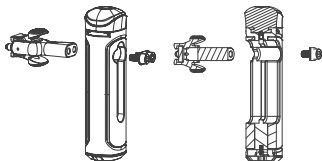
产品介绍



功能说明

(1) 侧手柄功能: 如上图所示, 用六角扳手⑦将快拆转接头①、转接头固定螺丝④与转接头固定槽⑤保持同一方向安装固定, 即可实现侧手柄功能。

(2) 上手提功能: 用六角扳手⑦将快拆转接头①、转接头固定螺丝④与转接头固定槽⑤保持垂直方向安装固定, 即可实现上手提功能。如下图所示。

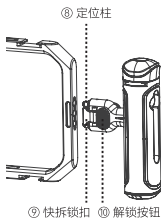


上手提安装示意图

快拆转接头安装方向

* 重要提示：上手提模式下，为避免误触风险且获得最佳使用体验，请将快拆转接头安装在固定槽更靠外的一侧。

(3) 快拆锁定：如下图所示，将快拆转接头上的定位柱⑧对准拓展框上的上下两个1/4"-20螺纹孔，侧向按压侧手柄（注意：无需按住解锁按钮⑩）直至快拆锁扣⑨发出“咔哒”声，表明锁扣已成功锁入快拆卡槽。



⑨ 快拆锁扣 ⑩ 解锁按钮

(4) 快拆解锁：双面按压上图中解锁按钮⑩，即可实现快拆机构解锁。

(5) 无线控制：无线快拆侧手柄4402带有无线控制拍摄的功能,操作说明见下表：

遥控器名称	SmaRig WR-03	
开机方式	长按2秒按键开机，指示灯快闪8秒进入待配对状态，待配对状态下指示灯绿色慢闪烁	指示灯绿色闪烁
关机方式	长按2秒按键，指示灯长亮2秒，闪烁2次后熄灭	指示灯熄灭
无配对连接状态	指示灯绿色慢闪烁	指示灯慢闪
自动关机状态	开机后，无配对连接状态下无操作3分钟自动关机	指示灯闪烁熄灭
已配对连接状态	配对连接后指示灯熄灭，10分钟无操作自动关机	指示灯熄灭
拍照	短按按键，绿灯闪烁一次	绿灯闪烁一次
拍视频	短按按键开启拍摄，绿灯闪烁一次；再次短按按键，停止拍摄，绿灯闪烁一次	绿灯闪烁一次
低电量状态	当电池电压低于2.5V，指示灯红色代替绿色闪烁	红灯慢闪
开机自动配对	开机后，如上一次已配对手机无线控制是打开状态，直接自动连接；	
休眠唤醒后自动配对	休眠唤醒后，如上一次已配对手机无线控制是打开状态，直接自动连接；	

手机删除连接	自拍器与手机处于连接状态时，在手机里面取消自拍器配对，自拍器进入无配对连接状态	绿灯慢闪
距离过远断开	自拍器与手机处于连接状态时，自拍器或手机距离过远（大于10m）断开后，自拍器进入无配对连接状态	绿灯慢闪
打开手机无线控制自动配对	自拍器处于无配对连接状态时，打开手机无线控制，如上一次已配对，自动连接	

无线遥控器产品参数

工作功耗	15mW
待机功耗	0.006mW
电池规格	CR2032 225mAh
电压	3V
电流	0.2A
工作温度	-30°C ~ 60°C
无线控制距离	10m
无线频率	2.4G Hz
电池参数	3V / 230mAh / 0.69Wh