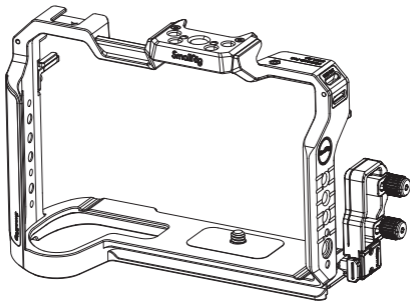


SmallRig



Cage Kit for Leica SL3

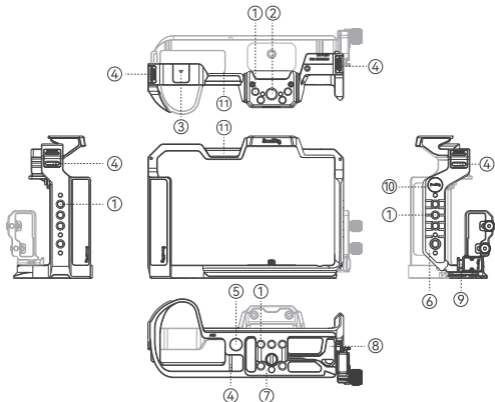
Operating Instruction

- Thank you for purchasing SmallRig's product.
- Please read this Operation Guide carefully.
- Please follow the safety warnings.

In the Box

1. Cage	× 1
2. HDMI & USB-C Cable Clamp	× 1
3. Operating Instruction	× 1
4. Guarantee Card	× 1

Product Details



① 1/4"-20 Threaded Hole

② ARRI 3/8"-16 Locating Hole

③ Cold Shoe Mount

④ Strap Slot

⑤ QD Socket

⑥ NATO Rail

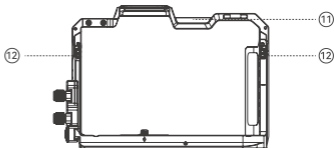
⑦ Arca-Swiss Plate

⑧ Dual Head Wrench

⑨ Cable Clamp Removal / Installation Button

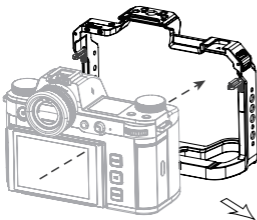
⑩ Logo Plate

- ⑪ Nameplate
- ⑫ Side Lock Adapter

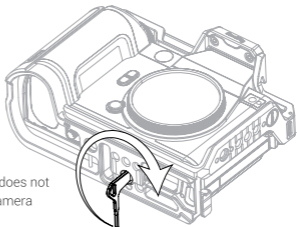


Cage Installation

Step 1: Install the camera into the cage from behind and lock the cage by tightening the 1/4"-20 screw with a dual head wrench

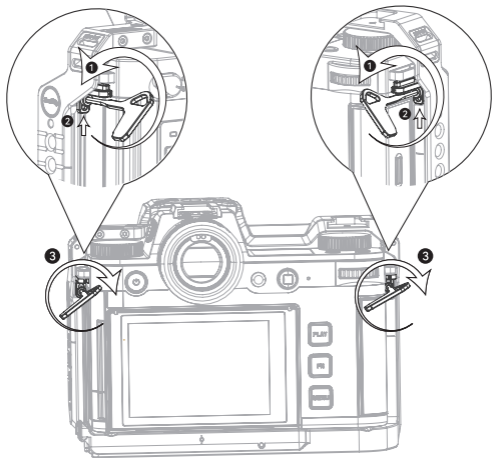


* The package does not include the camera



* The package does not include the camera

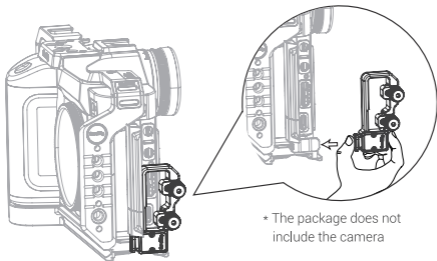
- Step 2: ❶ Loosen the locating blocks on both cage sides (do not unscrew the screws completely).
- ❷ Push the locating blocks upward into the shoulder strap slots on both sides of the camera.
- ❸ Lock them with the dual head wrench.



* The package does not include the camera

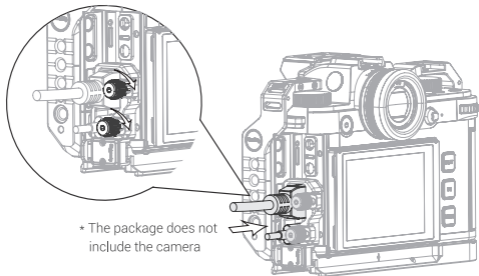
HDMI & USB-C Cable Clamp Installation

Step 1: Open the camera HDMI & USB-C interface cover, press the button on the left side of the cable clamp, and slide in to install



* The package does not include the camera

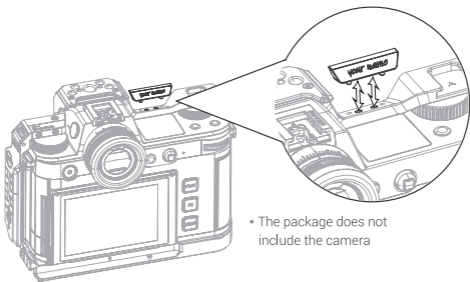
Step 2: Insert the cable and tighten the thumbscrews to secure the cable



* The package does not include the camera

Installation and Removal of Nameplate

Place the nameplate on the cage, the built-in magnet attracts it to the cage. Pull to remove.



- * The package does not include the camera

Note

Nameplate engraving requirements

Engraving area: 23.0mm (0.9in) wide and 3.0mm (0.11 in) high

Default font: FZHei-B01S (except for customized nameplates)

Does not support mixing Chinese characters and Latin alphabet

<p>Chinese Characters Nameplates</p>	<ol style="list-style-type: none">1. Provide the text for the nameplate2. Max number of characters: 7 Chinese characters (14 symbols) +1 Chinese character = 2 symbols, 1 number / 1 space = 1 symbol3. Engraving does not support punctuation marks, typographical symbols, or emoticons
<p>Latin Alphabet Nameplates</p>	<ol style="list-style-type: none">1. Provide the text for the nameplate2. Max number of symbols: 12 (including upper and lower case letters, numbers, and spaces)3. Engraving does not support punctuation marks, typographical symbols, or emoticons
<p>Customized Nameplates</p>	<ol style="list-style-type: none">1. Provide the fonts, graphics, and files for the engraving2. Format requirements: *.dxf, *.dwg files3. If the signature exceeds the engraving area in width or height, it will be proportionally reduced to fit the engraving area

Note: The following content is not allowed for the nameplates:

1. Content that infringes the intellectual property rights or copyrights of others.
2. Insults, discrimination, and offensive remarks.
3. Politically sensitive or controversial content.
4. Obscene or inappropriate content.
5. Content that violates legal norms or ethics.

Specifications

Compatibility	Leica SL3
Product Dimensions	172.5 × 73.5 × 118.3 mm / 6.8 × 2.9 × 4.7 in
Product Weight	228 ± 5g / 8.0 ± 0.2oz
Material (s)	Aluminum Alloy, Titanium Alloy, Silicone