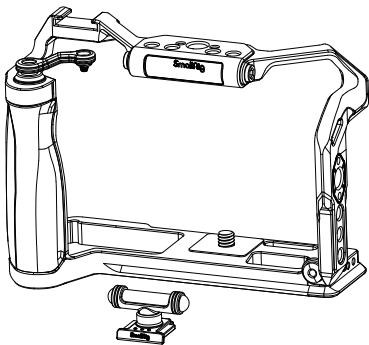


SmallRig



Retro Cage for FUJIFILM X-T5

User Manual

For your and the item's safety, please read this product manual carefully and keep it well for future reference.

Foreword

Thank you for purchasing SmallRig product.

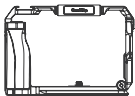
Instructions

- Please read this User Manual carefully.
- Please keep this User Manual. Always keep this User Manual when passing the products on to the third party.
- Heed all warnings and follow all instructions in this User Manual.

Intended Use

- The user has read the instructions of this manual.
- The user is using the product within the operating conditions and limitations described in this User Manual.
- "Improper use" means using the products other than as described in these instructions or under operating conditions which differ from those described herein.

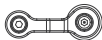
In the Box



① Cage × 1



② Hot Shoe Cover × 1



③ Shutter Button Adapter × 1



④ M2 Screw (short) × 1



⑤ M2 Screw (long) × 1

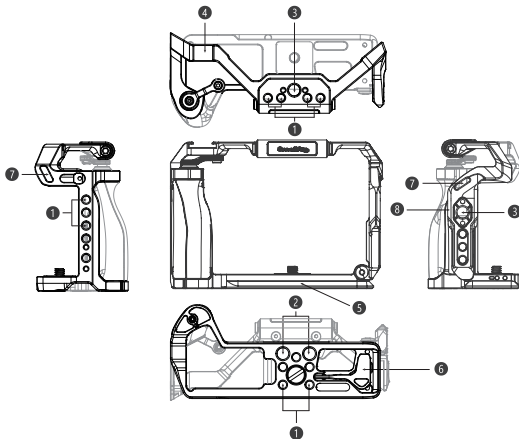


⑥ Tapered Screw × 1



⑦ Side Lock Adapter × 1

Product Detail Display



① 1/4"-20 Threaded Hole

④ Cold Shoe Mount

⑦ Strap Slot

② 3/8"-16 Threaded Hole

⑤ Arca-Swiss Quick Release Plate

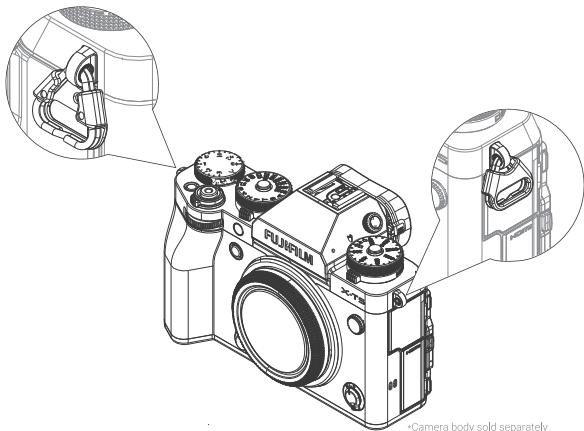
⑧ NATO Rail

③ ARRI 3/8"-16 Locating Hole

⑥ Dual-Head Wrench

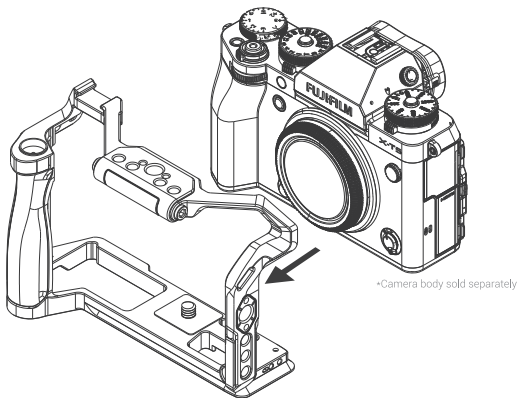
Cage Installation Instruction

1. Remove both sides split D-ring before installing the cage

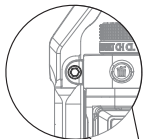


*Camera body sold separately

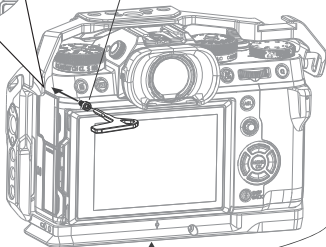
2. Install the Cage



Step 1: Put the camera into the cage ① from back to the front.



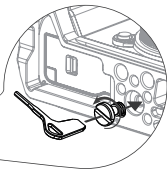
Step 3: Lock the M2 screw ④ to the cage ① via the side strap slot of the camera.



*Camera body sold separately



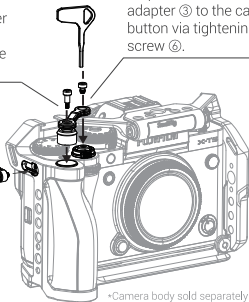
Step 2: Install the cage ① via tightening the 1/4"-20 screw.



Step 5: Attach the shutter button adapter ③ to the cage ① via tightening the M2 screw ⑤.

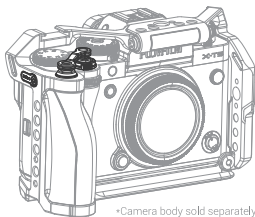
Step 6: Attach the shutter button adapter ③ to the camera shutter button via tightening the tapered screw ⑥.

Step 4: Tighten the side lock adapter ⑦.



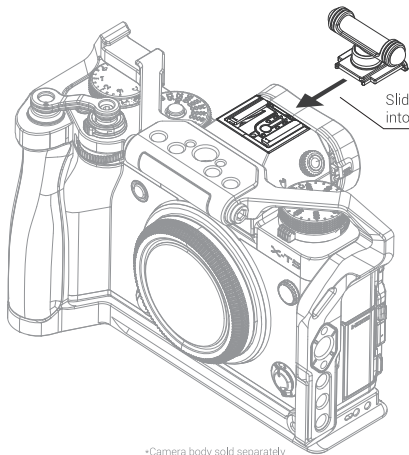
*Camera body sold separately

After installation →



*Camera body sold separately

Hot Shoe Cover Installation Instruction



Compatibility

FUJIFILM X-T5

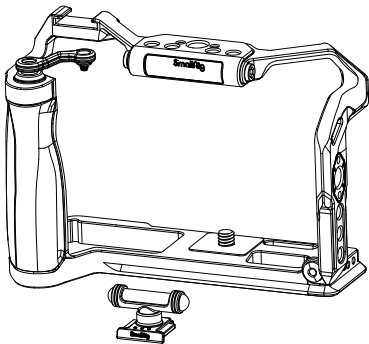
Specifications

Product Dimensions: 145.8 × 63.25 × 103.4mm

Product Weight: 235g ± 5g

Material(s): Aluminum Alloy, Silicone, Leather, Stainless Steel

SmallRig



富士 X-T5「时光机」系列
拓展框

用户手册

为了保障使用者的安全以及防止不当使用导致产品损坏，请在使用前仔细阅读本手册的“重要提示”，并妥善保管好手册资料，以备随时查阅。

前言

感谢您购买 SmallRig 产品。

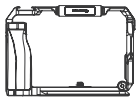
重要提示

- 使用本产品之前，请仔细阅读用户手册。
- 请妥善保管用户手册，将产品交给他人使用时，请务必附带本用户手册。
- 请注意所有警告提示并遵循使用用户手册内的所有指令。

设备使用规范

- 请仔细阅读本用户手册。
- 请在本用户手册规定的环境条件下使用或保存本产品。
- 如不按照本用户手册使用产品，或不遵守规定的工作和保存条件，将被视为违规使用。

包装清单



① 拓展框 × 1



② 热靴盖 × 1



③ 快门按钮转接件 × 1



④ M2 螺丝 (短) × 1



⑤ M2 螺丝 (长) × 1

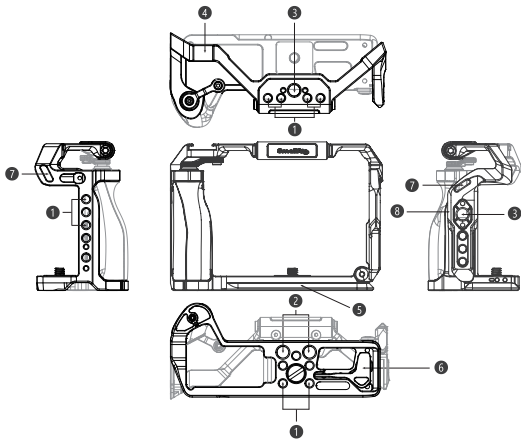


⑥ 锥形螺丝 × 1



⑦ 定位压块 × 1

产品视图



① 1/4"-20 螺纹孔

② 3/8"-16 螺纹孔

③ 阿莱定位孔

④ 冷靴

⑤ 阿卡规格快装板

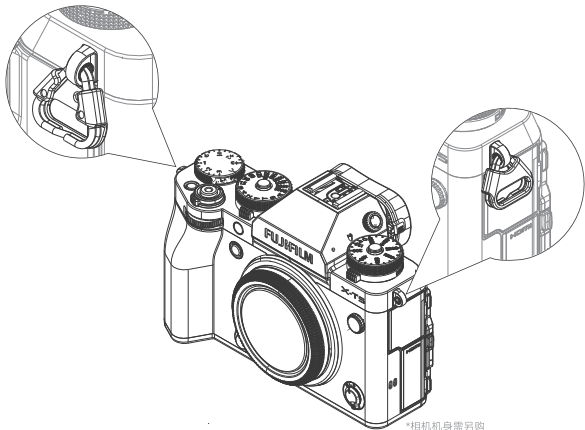
⑥ 双头扳手

⑦ 肩带 / 腕带接口

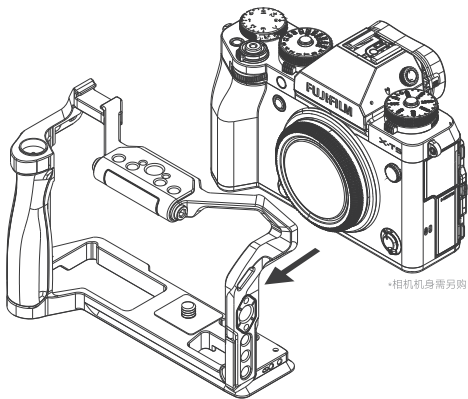
⑧ 滑条

拓展框安装步骤

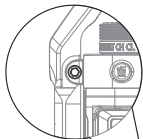
1. 取下相机双侧肩带环



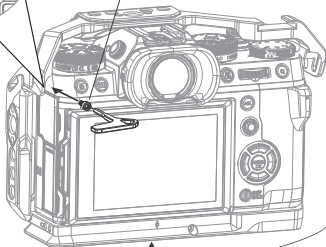
2. 安装拓展框



第一步：将相机轻轻从后往前放入相机拓展框 ①。



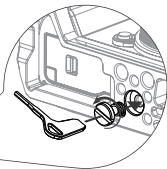
第三步：将 M2 螺丝 ④ 穿过
相机背带孔与相机拓展框 ①
锁紧固定。



•相机机身需另购



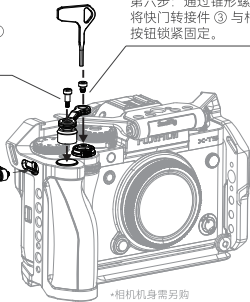
第二步：通过拧紧底部1/4"-20螺丝，
锁紧固定拓展框 ①。



第五步：通过 M2 螺丝⑤
将快门转接件③与相机
拓展框①锁紧固定。

第六步：通过锥形螺丝④，
将快门转接件③与相机快门
按钮锁紧固定。

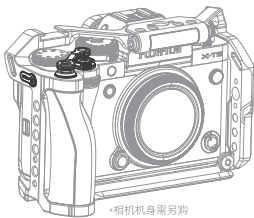
第四步：
锁紧侧边压块⑦。



安装前

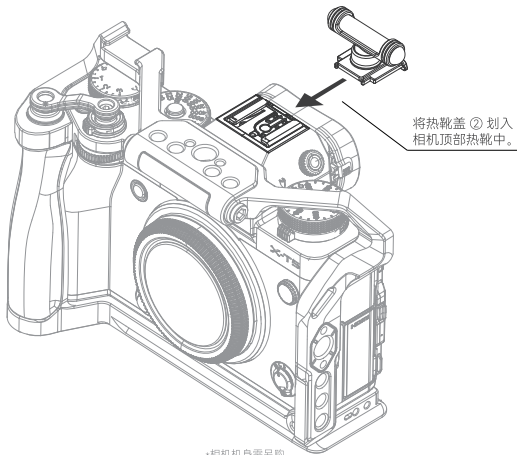
*相机机身需另购

安装后 →



*相机机身需另购

热靴盖安装步骤



兼容性

富士 X-T5

产品参数

产品尺寸：约145.8 × 63.25 × 103.4mm

产品重量：约235g ± 5g

主要材质：铝合金、硅胶、皮革、不锈钢