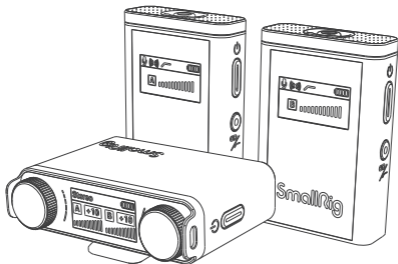


SmallRig



Forevala W60
Wireless Microphone
无线麦克风

User Manual
用户手册

Preface

Thank you for purchasing SmallRig's products.

Important Notes

Please read this User Manual carefully.

Do not use the product in water because it is not dust or water proof.

Do not let the product fall to the ground, be hit or suffered violent impact.

Do not exert pressure on its LCD screen because over pressure will cause permanent damage to the screen.

Do not use the product in the completely closed environment, or it may lead to rise of internal temperature, which causes product failure, ignition or other accident.

Do not leave the product in excessive heat, high temperatures can cause the product to malfunction.

Do not place the product in a place where there are corrosive chemical to protect the product from corrosion, corrosion may cause the product to malfunction.

Do not place the product nearby any combustible or volatile solution, or it may cause a fire disaster or smog.

Be sure to power the product off when it is not in use.

Use only a microfiber and dry cloth for cleaning the product.

Never remove the non-detachable lithium battery without permission.

When the battery is not in use for a long time, please charge and discharge the battery each 6-month, and provide it with approximately 60% of the electric quantity to prolong its lifetime.

Since there are some hazardous substances in the battery, please do not discard it. Instead, dispose of the product that is damaged or will never be used according to the waste management measures.

Note: To prolong the lifetime, please minimize the use of the product while charging.

Warning

Please do not disassemble the product. If you suspect any problem with the product, please contact the purchasing platform and apply for after-sales treatment.

Standard Use of the Equipment

The standard use of the SmallRig Forevala W60 wireless microphone includes

Read this manual carefully, especially the "Important Notes" section.

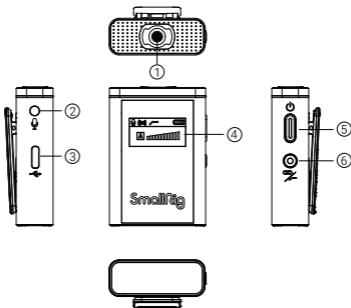
Use and store the product under the working conditions specified in this manual.

In the Box

Transmitter (TX)	× 2
Receiver (RX)	× 1
Storage Case	× 1
TRS to TRS Cable	× 1
TRS to TRRS Cable	× 1
Furry Windscreen	× 2
USB-C Charging Cable	× 1
SmallRig Metal Sticker	× 2
Carrying Bag	× 1
User Manual	× 1

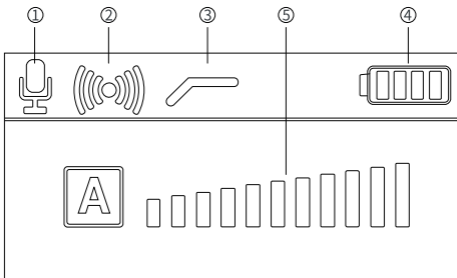
Product Details

Transmitter



- ① Microphone: built-in condenser microphone
- ② 3.5mm port: TRS external microphone jack
- ③ USB-C port: 5V charging port
- ④ Display: interactive LCD display
- ⑤ Power button: short press to mute on, long press to switch on and off
- ⑥ Pairing key: short press low cut on, long press to pair

Transmitter screen

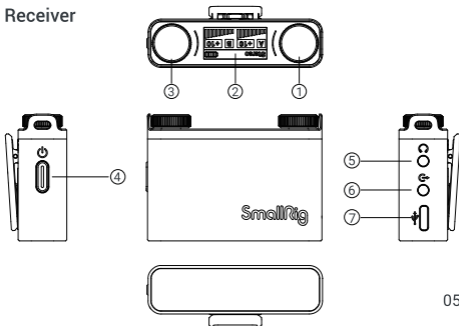


- ① Mute / Microphone works normally
- ② Transmitter battery power
- ③ Low cut function enabled
- ④ Signal intensity
- ⑤ Microphone audio bar of channel A / B

Operations

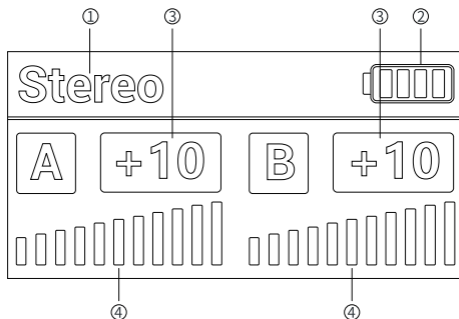
1. Switch button: long press to power on / off. "SmallRig" logo appears on the LCD screen after power on. In power on mode, short press to enter mute mode, and short press again to enter normal mode.
2. Low cut function: short press the low-cut button to turn on / off the low-cut function. When the low cut function is turned on, the LCD screen displays the low-cut symbol.
3. Manual pairing: long press the "low cut / pairing" button to enter pairing mode. When rebooting TX and entering pairing mode, the signal display symbol will be dynamically displayed until it is paired with the receiver (RX) .
4. Charging function: the TX can be charged by connecting the cable through the storage case or directly through the USB-C charging cable, with charging dynamics displayed on the LCD screen while charging.

Receiver



- ① Knob 1: volume up or down for receiver A (press knob 1 and knob 2 simultaneously to pair)
- ② Display: LCD display
- ③ Knob 2: volume up or down for receiver B (press knob 1 and knob 2 simultaneously to pair)
- ④ Power button: receiver on / off
- ⑤ 3.5mm port 2: TRS / TRRS headphone monitor jack
- ⑥ 3.5mm port 1: TRS audio output port
- ⑦ USB-C port: 5V charging port

Receiver screen



- ① Stereo: Stereo sound channel / Mono: Mono sound channel

- ② Receiver battery capacity
- ③ Microphone audio bar of channel A / Microphone audio bar of channel B
- ④ Channel A output volume / Channel B output volume

Operations

1. Switch button: long press to power on / off. "SmallRig" logo appears on the LCD screen after power on. In power on mode, for each short press, the audio output switches between mono/stereo, and the display will show "Mono" / "Stereo".

2. Gain adjustment: through the group A volume adjustment knob, rotate it clockwise to increase the volume, and vice versa to reduce the volume. Through group B volume adjustment knob, rotate it clockwise to increase the volume, and vice versa to reduce the volume. The gain is displayed in three colors, in which green means below -12dB, yellow means -12dB ~ 0dB, and red means above 0dB.

3. Manual pairing: the volume adjustment button on the RX is used as a pairing button when pressing. When the volume buttons of groups A and B are pressed simultaneously, the receiver enters the pairing mode (for TX, long press the pairing button). At the same time, the group information is flashing on the display, until it is paired with the transmitter (TX). After connecting to the transmitter, the group information is of reverse display, otherwise hollow display, in black font. In pairing mode, press any button to exit.

4. Charging function: the RX can be charged by connecting the cable through the storage case or directly through the USB-C charging cable, with charging dynamics displayed on the LCD screen while charging.

Storage case

1. Charging: red display when connected to the power supply to charge RX / TX, and green display when RX / TX is fully charged.
2. Port: with USB-C charging port, and built-in USB-A charging cable at the bottom of the storage case.

Operating Instructions

Transmitter

Mount the transmitter to the collar via the back clip so that the built-in microphone points in the direction of the audio source. (Note: In the process of use, for better concealment, it is recommended that the back clip is fixed towards the outside for use)

Use an external microphone

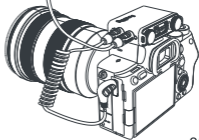
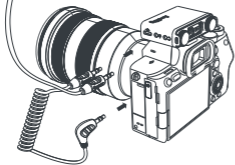
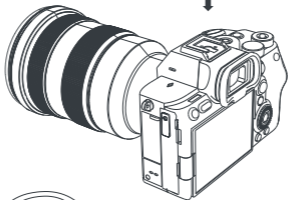
Plug the 3.5mm TRS microphone input cable into the transmitter's 3.5mm TRS external microphone jack. Clip the transmitter to your belt via the back clip, then clip the lavalier microphone on the other end to your collar.

(Note: When using an external microphone, the built-in microphone will automatically turn off)

Receiver

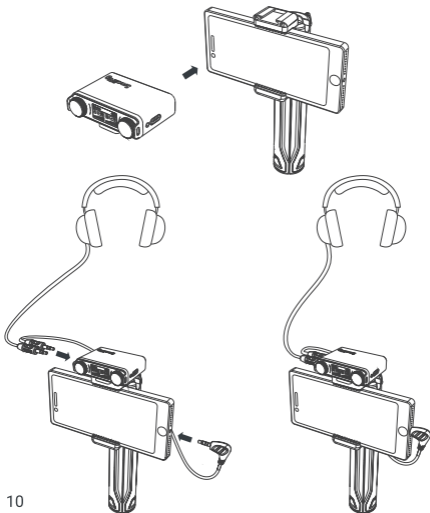
Method for using with the camera

Clip the receiver to the camera's cold shoe mount via the back clip. Connect the receiver to the camera via 3.5mm TRS-TRS cable. Plug the headphones into the headphone monitor hole for monitoring.

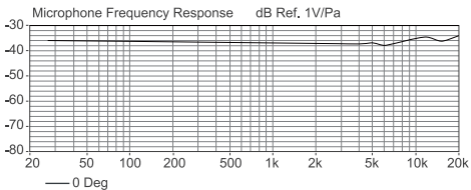


Method for using with the mobile phone

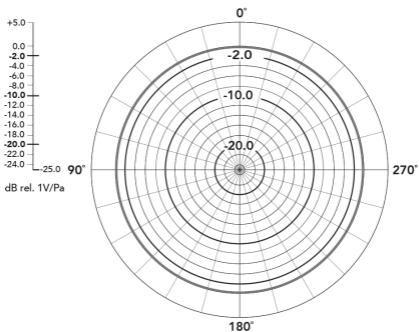
Clip the receiver to the cold shoe mount via the back clip. Connect the receiver to the mobile phone via 3.5mm TRS-TRRS cable, and note that the access to the receiver audio output jack is 3.5mm TRS plug, access to the mobile phone end is 3.5mm TRRS plug. Plug the headphones into the headphone monitor jack for monitoring.



Frequency response



Directionality



Specifications and parameters

Transmitter	
Wireless band	2402 ~ 2480MHz
Microphone directionality	Omni-directional
Sound delay	< 15ms
External input port	3.5mm TRS microphone input
Battery specification	450mAh 3.7V 1.665Wh
Endurance time	8h
Display	LCD display
Operating distance	100m (without obstacles)
Charging time	1h
Input voltage	5V

Receiver

Wireless band	2402 ~ 2480MHz
RF sensitivity	-81dB
Sound delay	< 15ms
Output port 1	3.5mm TRS audio output
Output port 2	3.5mm TRS / TRRS headphone output
Battery specification	630mAh 3.7V 2.331Wh
Endurance time	8h
Display	LCD display
Input voltage	5V
Number of audio channels	2 channels
Charging time	1.5h
Operating distance	100m (without obstacles)

Guarantee Card

Serial No.	
Item Name	
Purchase Date	
User Name	
Mobile	
Address	
Receipt	

前言

感谢您购买SmallRig品牌产品。

重要提示

请认真阅读本用户手册。

请勿在水中使用,本产品不具备防尘、防水功能。

请勿让产品掉落到地面、受到碰撞或强烈冲击。

请勿对本机的LCD屏幕施压,过度的压力将会导致屏幕的永久性损坏。

请勿在完全封闭的环境下使用,否则可能使内部温度升高而导致产品故障、起火或意外事故。

请勿将本产品放置在温度过高的地方,高温可能导致产品内电池受损或爆炸。

请勿将本产品放置在有腐蚀性化学物品的地方,以免产品受到腐蚀,被腐蚀可能引起产品故障。

请勿将产品放置在可燃或易挥发的溶液附近,否则可能引发火灾或产生烟雾。

此产品使用完毕后务必将产品关机。

请用软布、干布清洁本产品。

本产品含内置式不可拆卸锂电池,严禁擅自拆机。

电池在长时间储存不用时,应在6个月内进行一次充放电维护,并恢复60%左右的带电量,以延长电池的使用寿命。

电池内部有少许有害物质,请勿任意丢弃,请将损坏或是不再使用的产品,依照废弃物管理办法回收处理。

建议尽量减少在充电时使用本产品，延长机器寿命。

警告

请勿拆卸产品，如果您怀疑产品有任何问题，请联络购买平台，申请售后处理。

设备的规范使用

SmallRig Forevala W60 无线麦克风的规范使用包括

仔细阅读本手册，特别是“重要提示”部分；

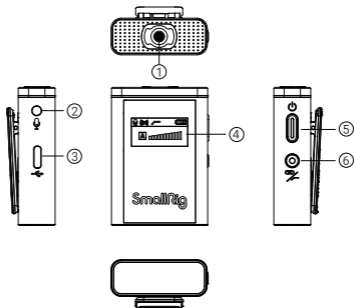
在本手册规定的工作条件下使用和保存本产品。

包装清单

发射器 (TX)	× 2
接收器 (RX)	× 1
收纳盒	× 1
TRS转TRS线材	× 1
TRS转TRRS线材	× 1
防风毛套	× 2
USB-C 充电线	× 1
SmallRig 金属贴片	× 2
收纳袋	× 1
用户手册	× 1

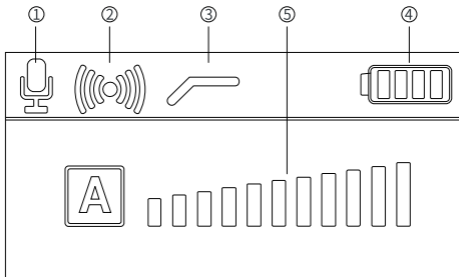
产品详情

发射器



- ① 麦克风：内置电容麦克风
- ② 3.5mm接口：TRS外置麦克风插孔
- ③ USB-C接口：5V充电接口
- ④ 显示屏：交互LCD显示屏
- ⑤ 电源键：短按静音开启，长按开关机
- ⑥ 配对键：短按低切开启，长按配对

发射器屏幕

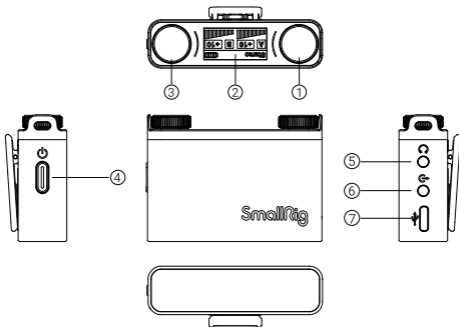


- ① 静音 / 麦克风正常工作
- ② 信号强度
- ③ 低切功能符号
- ④ 发射器电池电量
- ⑤ A / B 通道麦克风音频动态条

操作

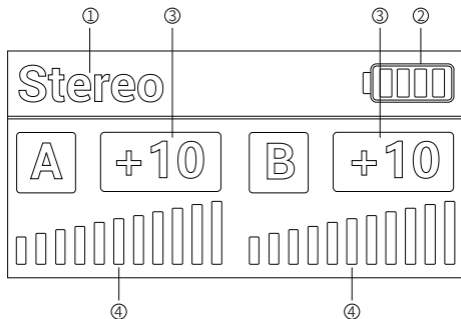
1. 开关按键：长按开 / 关机，开机后液晶屏出现“SmallRig” Logo；开机模式下，短按一下，进入静音模式，再短按一次，正常模式；
2. 低切功能：短按低切按键用于开 / 关低切功能；低切功能开启时，液晶屏显示低切符号；
3. 手动配对：长按“低切 / 配对”按键进入配对模式，TX重启进入配对模式时，信号显示符号会动态显示，直到与接收器RX对上；
4. 充电功能：可通过收纳盒连接线材充电，也可以通过USB-C充电线直接对TX充电，充电时液晶屏上显示充电动态。

接收器



- ① 旋钮1: 接收器A的增益加减 (旋钮1和旋钮2同时按下配对)
- ② 显示屏: LCD显示屏
- ③ 旋钮2: 接收器B的增益加减 (旋钮1和旋钮2同时按下配对)
- ④ 电源键: 接收器开关机
- ⑤ 3.5mm接口2: TRS / TRRS耳机监听插孔
- ⑥ 3.5mm接口1: TRS音频输出接口
- ⑦ USB-C接口: 5V充电接口

接收器屏幕



- ① Stereo: 立体声 / Mono: 单声道
- ② 接收器电池容量
- ③ A通道输出增益 / B通道输出增益
- ④ A通道麦克风音频动态条 / B通道麦克风音频动态条

操作

1. 开关按键: 长按开 / 关机, 开机后液晶屏出现“SmallRig” Logo; 开机模式下, 每短按一下, 音频输出在单声道/立体声之间进行切换, 且显示屏上需显示“Mono”/“Stereo”;

2. 增益调节: 通过群组A增益调节旋钮, 顺时针旋转增加增益, 反之减小增益; 群组B增益调节旋钮, 顺时针旋转增加增益, 反之减小增益; 增益三

种颜色显示，-12dB 以下显示绿色，-12dB ~ 0dB 显示黄色，0dB 以上显示红色；

3. 手动配对：通过 RX 上的音量调节的按键功能作为配对按键，当同时按下 A、B 分组的音量键时，接收器进入配对模式，(TX 则需要长按配对按键)；同时显示屏上群组信息闪烁显示，直到与发射器 TX 配对上；与发射器建立连接后，群组信息全部反白显示，否则为空心显示，字体黑色；配对模式下，按任意键将退出；

4. 充电功能：可通过收纳盒连接线材充电，也可以通过 USB-C 充电线直接对 RX 充电，充电时液晶屏上显示充电动态。

收纳盒

1. 充电：连接电源给 RX / TX 充电时，亮红灯；RX / TX 全部充满电亮绿灯；

2. 接口：带 USB-C 充电接口；收纳盒底内置 USB-A 充电线。

装配说明

发射器

把发射器通过背夹安装到衣领上，使内置麦克风指向音源方向。
(备注：在使用的过程中为了更好的隐蔽性，建议将背夹朝外固定使用)

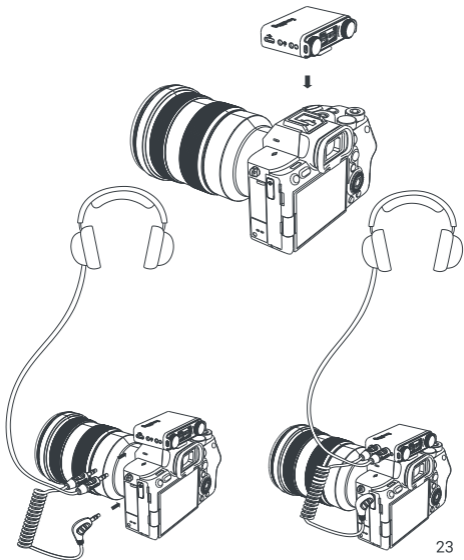
使用外置麦克风

把 3.5mm TRS 麦克风输入线插入发射器的 3.5mm TRS 外置麦克风插孔；把发射器通过背夹夹到腰带上，再把另一头的领夹麦克风夹到衣领上。
(备注：当使用外置麦克风时，内置麦克风会自动关闭)

接收器

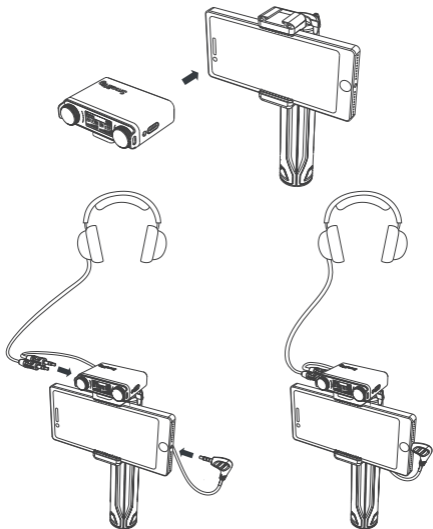
搭配相机使用方法

把接收器通过背夹夹到相机的冷靴座固定；通过 3.5mm TRS - TRS 音频连接接收器和相机；把耳机插入耳机监听孔进行监听。

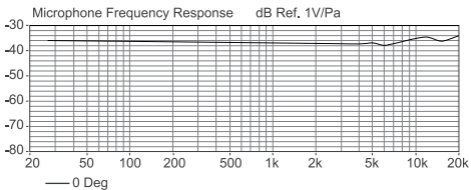


搭配手机使用安装方法

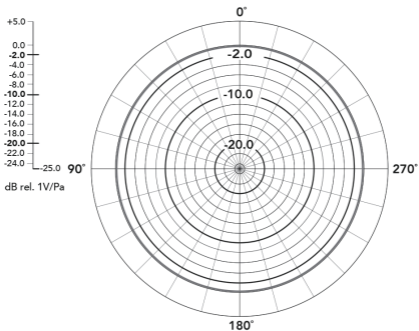
把接收器通过背夹夹到冷靴座上；通过 3.5mm TRS-TRRS 音频连接接收器和手机，并注意接入接收器音频输出插孔的是 3.5mm TRS 插头，接入手机端的是 3.5mm TRRS 插头；把耳机插入耳机监听孔进行监听。



频率响应



指向性



规格参数

发射器	
无线频段	2402 ~ 2480M
麦克风指向性	全指向
声音延迟	<15ms
外置输入接口	3.5mm TRS 麦克风输入
电池	450mAh 3.7V 1.665Wh
续航时间	8h
显示屏	LCD 屏幕
工作距离	100m (无障碍物状态下)
充电时间	1h
输入电压	5V

接收器

无线频段	2402 ~ 2480MHz
接收灵敏度	-81dB
声音延迟	<15ms
输出接口 1	3.5mm TRS 音频输出
输出接口 2	3.5mm TRS / TRRS 耳机输出
电池参数	630mAh 3.7V 2.331Wh
续航时间	8h
显示屏	LCD 屏幕
输入电压	5V
音频通道数	2 路
充电时间	1.5h
工作距离	100m (无障碍物状态下)