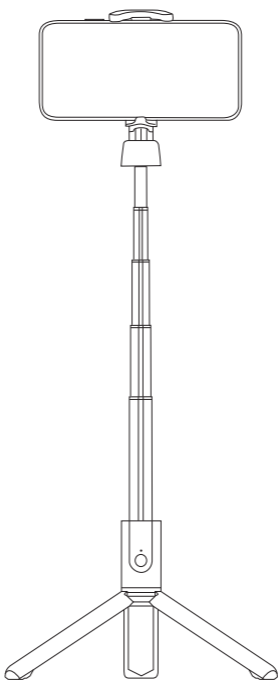


SmallRig



Portable Selfie Stick Tripod ST20 Pro

Operating Instruction

Wireless Connection:

Press the shutter button of the remote controller for 2 seconds. The green light flashes, indicating Wireless pairing mode.

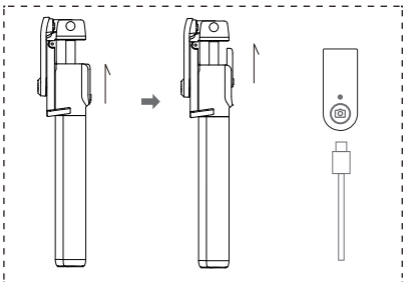
Then turn on the phone's Wireless, search and connect to "SmallRig ST20 Pro". Green light turns off when paired successfully, press the shutter button of the remote controller to take pictures.



Remove Remote Controller:

The remote controller of this product is detachable. Please stretch out the telescopic rod a little and then push up the remote controller to use it independently.

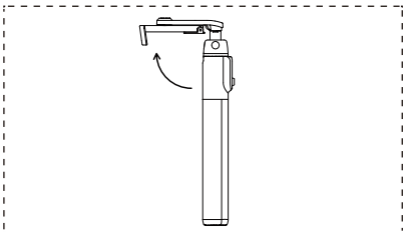
The wireless remote controller is rechargeable. Please remove the remote controller to charge when its battery is low after long-time usage.



Bracket Rotation:

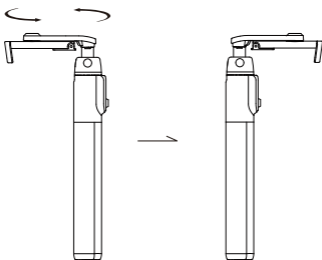
First:

Rotate the phone holder upward from the back of the product until it forms a 7-shape with the handle part.



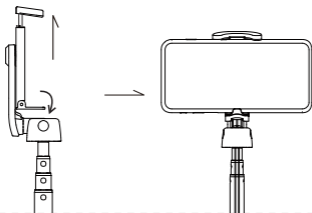
Second:

Hold the handle part by one hand, and rotate the phone holder 180 degrees by the other one.



Third:

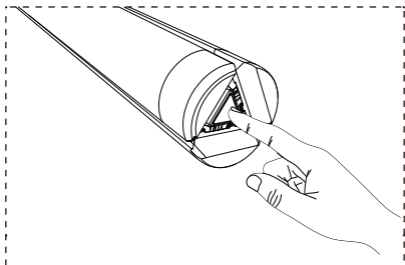
Tilt one side of your phone into the phone holder, then push the other side into it and fix it.



Bracket instruction:

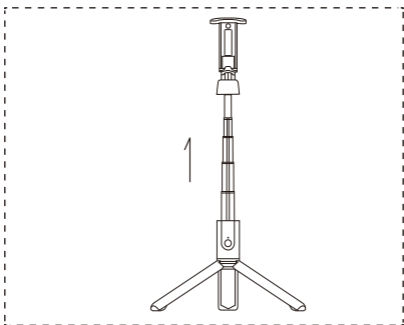
First:

Press the triangular safety lock button at the bottom of the product to enable the unfolding mode.



Second:

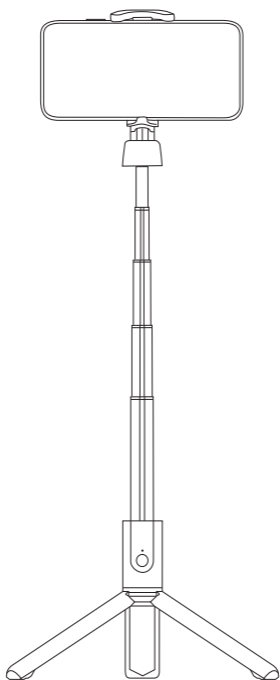
Hold the middle of the selfie stick by one hand, and hold the top of the pull rod by the other hand to pull out the pull rod.



Notes:

- Tripod legs will be automatically released and closed when stretch and retract the telescopic rod. Please do not put your hands directly on the surface of tripod legs to avoid being pinched.

SmallRig



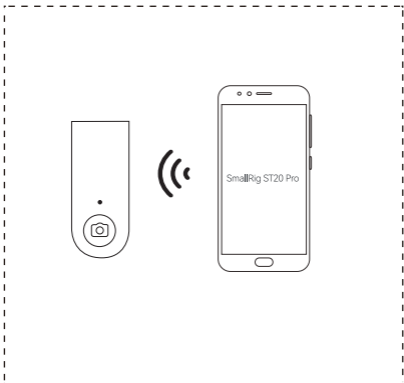
便携自拍三脚架

ST20 Pro

操作指引

无线连接

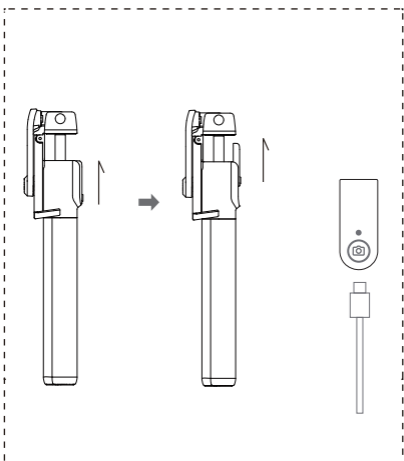
手机固定在手机支架上，长按拍照键2秒至绿灯闪烁开启无线配对模式；打开手机无线设置搜索并连接“SmallRig ST20 Pro”成功后绿灯熄灭；即可按下遥控器上的拍照键进行拍照。



遥控分离

本品所使用的无线遥控器采用可分离式设计，取出遥控器时先拉出部分拉杆，然后再向上推出无线遥控器将遥控器取出。

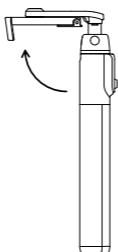
当长期使用本品造成电量不足时请取下遥控器为电池充电。



支架旋转

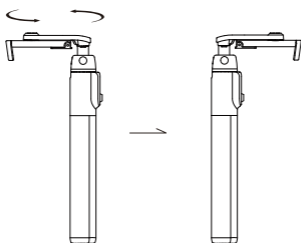
首先：

打开手机支架并将手机支架向上旋转90度呈“7”字形。



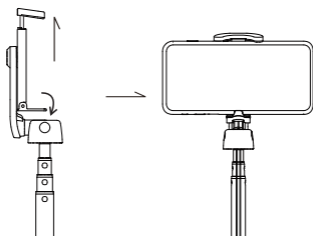
其次：

一只手握住三脚架手柄部分另一只手将手机支架沿水平方向旋转180度转成反“7”字即可。



最后：

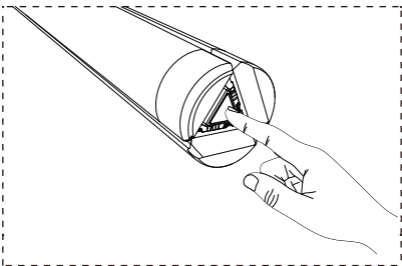
拉出拉杆，放下手机硅胶垫固定手机。



支架打开

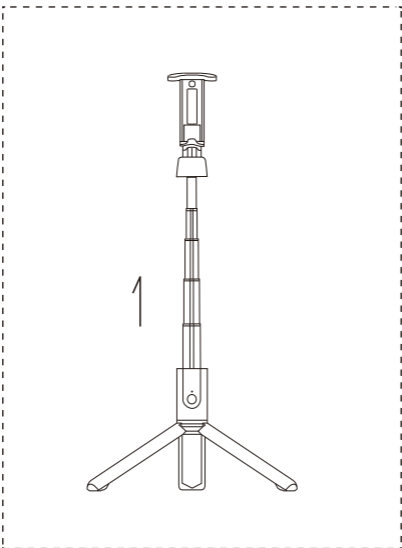
首先：

按下产品底部的三角形按钮从底部打开三脚支架，即可使用支架模式进行拍照。



其次：

将拉杆逐节拉开至合适的长度。



备注：

打开和收缩拉杆时底部的三脚架会自动打开和合拢，请勿将手直接放在三脚支架上，以防夹伤。