



"Night Eagle" Cage Kit for Nikon Z 6III
尼康 Z 6III “夜鷹” 拓展框套件
(4521 / 4522)

Operating Instruction / 操作指引

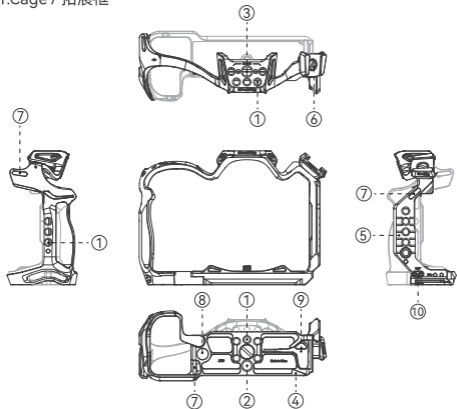
- Thank you for purchasing SmallRig's product.
感谢您购买 SmallRig 产品。
- Please read this Operation Guide carefully.
使用本产品之前，请仔细阅读操作指引。
- Please follow the safety warnings.
请注意所有警告提示并遵循使用操作指引的所有指令。

Specifications / 产品参数

| | | |
|------|----------------------------|--|
| 4521 | Product Dimensions 产品尺寸 | 6.1 × 4.5 × 2.4in 154.7 × 115 × 60mm |
| | Product Weight 产品重量 | 6.0 ± 0.2oz 170 ± 5g |
| | Material (s) 主要材质 | Aluminum Alloy, silicone 铝合金、硅胶 |
| | In the Box 包装清单 | Cage × 1 Cold Shoe Mount × 1 Operating Instruction × 1 Guarantee Card × 1 拓展框 × 1 冷靴 × 1 操作指引 × 1 保修卡 × 1 |
| 4522 | Product Dimensions 产品尺寸 | 6.9 × 5.2 × 7.3in 174.4 × 145.5 × 185.7mm |
| | Product Weight 产品重量 | 13.0 ± 0.2oz 369 ± 5g |
| | Material (s) 主要材质 | Aluminum Alloy, silicone 铝合金、硅胶 |
| | In the Box 包装清单 | Cage × 1 Top Handle × 1 Cold Shoe Mount × 1 HDMI & USB-C Cable Clamp × 1 Operating Instruction × 1 Guarantee Card × 1 拓展框 × 1 上提手柄 × 1 冷靴 × 1 HDMI & USB-C线夹 × 1 操作指引 × 1 保修卡 × 1 |

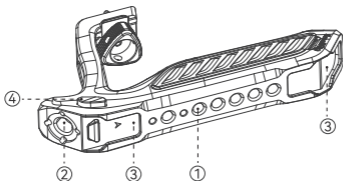
Product Details / 产品介绍

1.Cage / 拓展框



- | | |
|---|---|
| ① 1/4"-20 Threaded Hole 1/4"-20 螺纹孔 | ② 3/8"-16 Threaded Hole 3/8"-16 螺纹孔 |
| ③ ARRI 3/8"-16 Locating Hole 阿莱 (ARRI) 定位孔 | ④ Arca-Swiss Quick Release Plate 阿卡规格快装板 |
| ⑤ NATO Rail 滑条 | ⑥ Cold Shoe Mount 冷靴 |
| ⑦ Strap Slot 肩带 / 腕带接口 | ⑧ QD Socket QD 接口 |
| ⑨ Dual-Head Wrench 双头扳手 | ⑩ M2.5 Screw M2.5螺丝 |

2. Top Handle / 上提手柄



① 1/4"-20 Threaded Hole
1/4"-20 螺纹孔

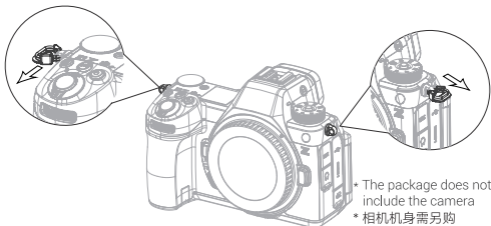
② ARRI 3/8"-16 Locating Hole
阿莱 (ARRI) 定位孔

③ Cold Shoe Mount
冷靴

④ Cold Shoe with Anti-off Pin
冷靴防脱键

Cage Installation Instruction / 拓展框安装步骤

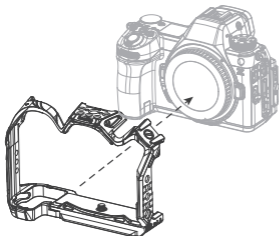
1. Remove the split D-ring on the both sides before installing the cage.
1. 取下相机双侧肩带环。



* The package does not include the camera
* 相机机身需另购

2. Install the camera into the cage from the back.

2. 将相机从后往前放入相机拓展框。



* The package does not include the camera

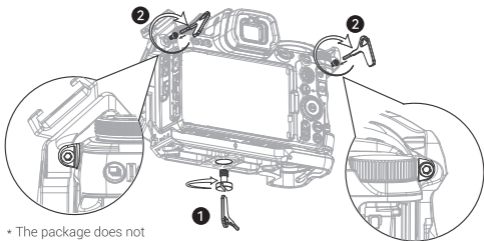
* 相机机身需另购

3. ① Install the cage by tightening the 1/4"-20 screw on the bottom.

② Remove the two M2.5 screws at both sides of the cage, then pass the M2.5 screws through the shoulder strap holes on both sides of the camera and tighten them onto the cage.

3. ① 拧紧底部1/4"-20 螺丝，锁紧固定拓展框。

② 取下拓展框两侧的两颗M2.5螺丝，然后将M2.5螺丝分别穿过相机两侧肩带孔与拓展框锁紧固定。



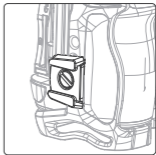
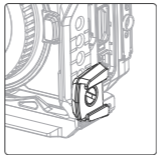
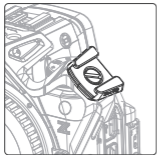
* The package does not include the camera

* 相机机身需另购

Cold Shoe Mount Installation Instruction / 冷靴安装步骤

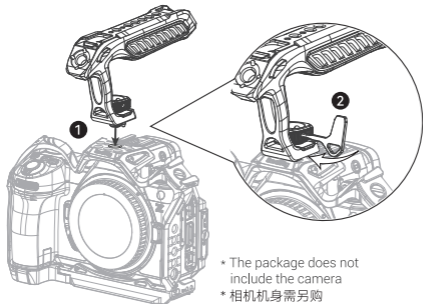
Attach the cold shoe to the top or both sides of the cage where there are built-in 1/4"-20 locating holes.

可将冷靴安装至拓展框顶部或双侧有内置1/4"-20 定位螺纹孔处。



Top Handle Installation Instruction / 上提手柄安装步骤

- 1 Align the top handle with the ARRI 3/8"-16 locating hole on the cage.
将上手提对准相机拓展框的阿莱 (ARRI) 定位孔。
- 2 Tighten the ARRI 3/8"-16 locating screw by the Dual-Head Wrench.
拧紧阿莱 (ARRI) 定位螺丝，使用双头扳手加固锁紧。

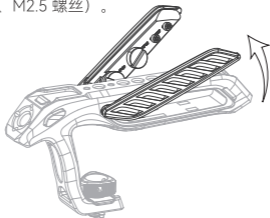


- * The package does not include the camera
- * 相机机身需另购

Screw Storage Solution / 存储或取用螺丝

Open the silicone cover on the left side of the handle to store or access screws (such as 1/4"-20 screws, 3/8"-16 screws, M2.5 screws).

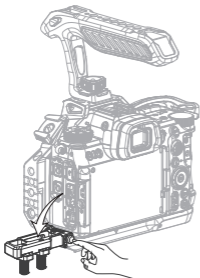
打开上手提左侧硅胶盖，即可存储或取用螺丝（如1/4"-20 螺丝、3/8"-16螺丝、M2.5 螺丝）。



HDMI & USB-C Cable Clamp Installation Instruction HDMI & USB-C线夹安装步骤

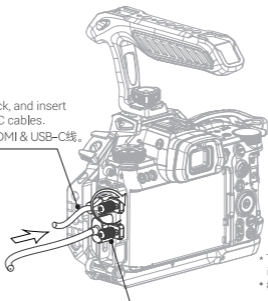
- 1 Press the button to rotate the cable clamp and open the camera interface cover.

按压侧边按钮，旋转线夹，并打开机身盖。



- * The package does not include the camera
- * 相机机身需另购

- 2 Flip the clamp back, and insert the HDMI & USB-C cables.
转回线夹，插入HDMI & USB-C线。



* The package does not include the camera
* 相机机身需另购

- 3 Tighten the thumb screw.
拧紧手拧螺丝锁紧。

执行标准：GB/T 26572-2011

CE RoHS



LQ-P1264-18
Made in China
中国制造

