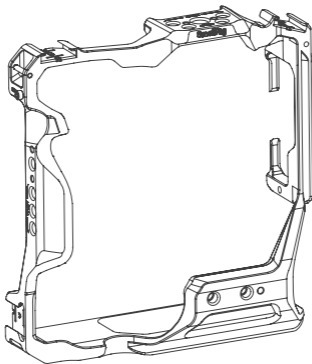


SmallRig



Cage for Nikon Z 6III with MB-N14 Grip 尼康 Z 6III 拓展框（兼容竖拍手柄MB-N14）

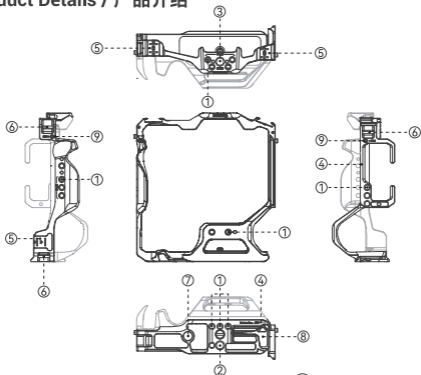
Operating Instruction / 操作指引

- Thank you for purchasing SmallRig's product.
感谢您购买 SmallRig 产品。
- Please read this Operation Guide carefully.
使用本产品之前，请仔细阅读操作指引。
- Please follow the safety warnings.
请注意所有警告提示并遵循使用操作指引的所有指令。

In the Box / 包装清单

Cage	× 1	拓展框	× 1
Operating Instruction	× 1	操作指引	× 1
Guarantee Card	× 1	保修卡	× 1

Product Details / 产品介绍

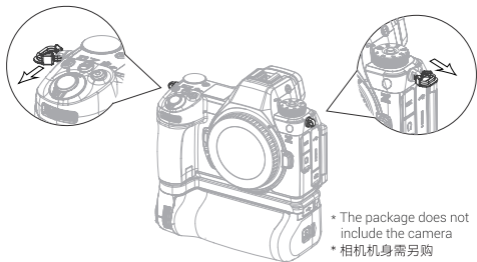


- | | |
|---|----------------------------|
| ① 1/4"-20 Threaded Hole
1/4"-20 螺纹孔 | ⑥ Strap Slot
肩带 / 腕带接口 |
| ② 3/8"-16 Threaded Hole
3/8"-16 螺纹孔 | ⑦ QD Socket
QD 接口 |
| ③ ARRI 3/8"-16 Locating Hole
阿莱 (ARRI) 定位孔 | ⑧ Dual-Head Wrench
双头扳手 |
| ④ Arca-Swiss Quick Release Plate
阿卡规格快装板 | ⑨ M2.5 Screw
M2.5 螺丝 |
| ⑤ Cold Shoe Mount
冷靴 | |

Cage Installation Instruction / 拓展框安装步骤

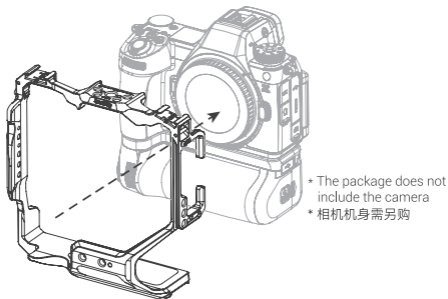
1. Remove the both sides split D-ring before installing the cage.

1. 取下相机双侧肩带环。

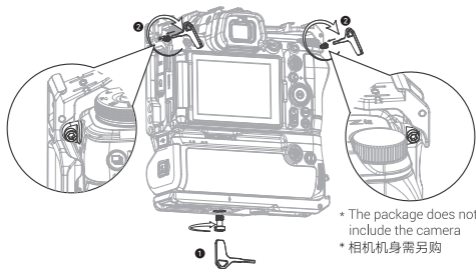


2. Put the camera into the cage from back to the front.

2. 将相机从后往前放入相机拓展框。



3. ① Install the cage via tightening the 1/4"-20 screw and locating screw.
 - ② Remove the two M2.5 screws at both sides of the cage, then pass the M2.5 screws through the shoulder strap holes on both sides of the camera and tighten them onto the cage.
3. ① 拧紧底部1/4"-20 螺丝，锁紧固定拓展框。
 - ② 取下拓展框两侧的两颗M2.5螺丝，然后将M2.5螺丝分别穿过相机两侧肩带孔与拓展框锁紧固定。



Specifications / 产品参数

Product Dimensions 产品尺寸	6.0 × 6.5 × 2.7in 153.2 × 164.9 × 69.1mm
Product Weight 产品重量	7.7 ± 0.2oz 219.0 ± 5g
Material (s) 主要材质	Aluminum Alloy 铝合金

CE RoHS



执行标准: GB/T 26572-2011
LQ-P1271-18

中国制造
Made in China