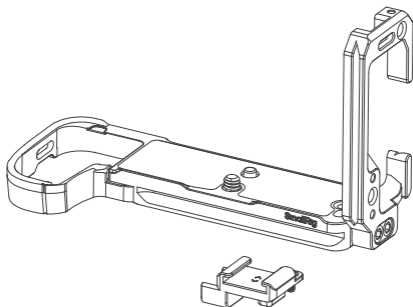


SmallRig



L-Shape Mount Plate for Nikon Z 6III 尼康 Z 6III L型安装板

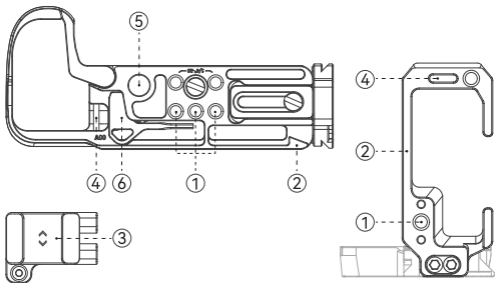
Operating Instruction / 操作指引

- Thank you for purchasing SmallRig's product.
感谢您购买 SmallRig 产品。
- Please read this Operation Guide carefully.
使用本产品之前，请仔细阅读操作指引。
- Please follow the safety warnings.
请注意所有警告提示并遵循使用操作指引的所有指令。

In the Box / 包装清单

L-Bracket	× 1	L 板	× 1
Locating Block	× 1	定位压块	× 1
Operating Instruction	× 1	操作指引	× 1
Guarantee Card	× 1	保修卡	× 1

Product Details / 产品介绍



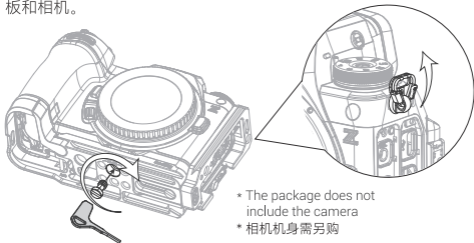
- | | |
|---|----------------------------|
| ① 1/4"-20 Threaded Hole
1/4"-20 螺纹孔 | ④ Strap Slot
肩带 / 腕带接口 |
| ② Arca-Swiss Quick Release Plate
阿卡规格快装板 | ⑤ QD Socket
QD 接口 |
| ③ Cold Shoe Mount
冷靴 | ⑥ Dual-Head Wrench
双头扳手 |

L-Bracket Mounting Instruction / L型竖拍板安装步骤

1. Standard Mounting of the L-Bracket / 标准场景安装

Turn up the left split D-ring, and secure the L-shaped mounting plate and camera by tightening the bottom 1/4"-20 screw.

将左侧肩带环上翻，然后通过拧紧底部1/4"-20螺丝锁紧固定L型安装板和相机。

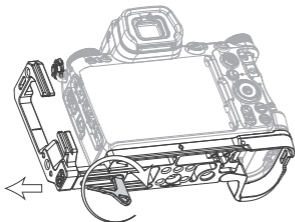


- * The package does not include the camera
- * 相机机身需另购

2. Mount the Extended L-Bracket / 拉伸场景安装

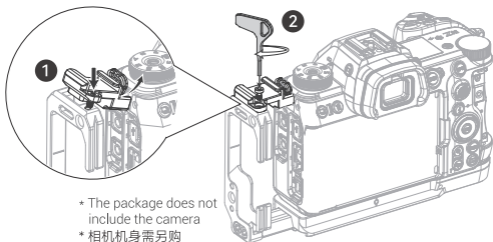
Move the side plate to the left, then secure it by the Dual-Head Wrench.

将侧板移动至最左侧，通过双头扳手锁紧固定。



- * The package does not include the camera
- * 相机机身需另购

- 1 Turn up the split D-ring, install the locating block from bottom to top.
将左侧肩带环上翻，从下往上安装定位压块。
- 2 Fix the L-shaped mounting plate and camera by tightening the screws.
通过锁紧螺丝，固定L型安装版和相机肩带槽。



Specifications / 产品参数

Product Dimensions 产品尺寸	5.8 × 2.5 × 3.5in 147.4 × 64.7 × 90mm
Product Weight 产品重量	4.5 ± 0.1oz 132.0 ± 5g
Material (s) 主要材质	Aluminum Alloy 铝合金

执行标准: GB/T 26572-2011

www.smallrig.com

CE RoHS



LQ-P1270-18

Made in China

中国制造

