



Cage Kit for Nikon Z 6III

尼康 Z 6III 拓展框套件

(4519 / 4520)

Operating Instruction / 操作指引

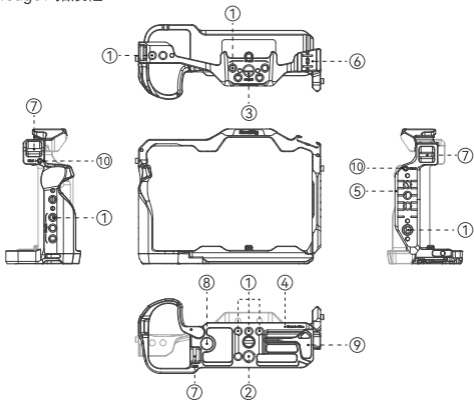
- Thank you for purchasing SmallRig's product.
感谢您购买 SmallRig 产品。
- Please read this Operation Guide carefully.
使用本产品之前，请仔细阅读操作指引。
- Please follow the safety warnings.
请注意所有警告提示并遵循使用操作指引的所有指令。

Specifications / 产品参数

4519	Product Dimensions 产品尺寸	6.0 × 4.4 × 2.5in 152.2 × 113 × 62.7mm
	Product Weight 产品重量	6.0 ± 0.2oz 170 ± 5g
	Material (s) 主要材质	Aluminum Alloy, Stainless Steel 铝合金、不锈钢
	In the Box 包装清单	Cage × 1 Operating Instruction × 1 Guarantee Card × 1 拓展框 × 1 操作指引 × 1 保修卡 × 1
4520	Product Dimensions 产品尺寸	6.8 × 7.2 × 5.3in 174 × 182 × 135mm
	Product Weight 产品重量	11.8 ± 0.2oz 335 ± 5g
	Material (s) 主要材质	Aluminum Alloy, Stainless Steel 铝合金、不锈钢
	In the Box 包装清单	Cage × 1 Top Handle × 1 HDMI & USB-C Cable Clamp × 1 Operating Instruction × 1 Guarantee Card × 1 拓展框 × 1 上提手柄 × 1 HDMI & USB-C线夹 × 1 操作指引 × 1 保修卡 × 1

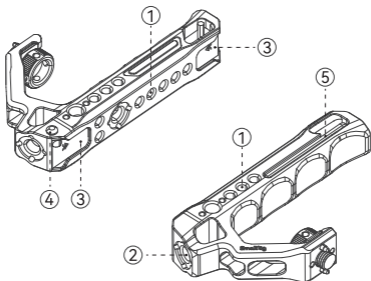
Product Details / 产品介绍

1.Cage / 拓展框



- | | |
|---|---|
| ① 1/4"-20 Threaded Hole
1/4"-20 螺纹孔 | ② 3/8"-16 Threaded Hole
3/8"-16 螺纹孔 |
| ③ ARRI 3/8"-16 Locating Hole
阿莱 (ARRI) 定位孔 | ④ Arca-Swiss Quick Release Plate
阿卡规格快装板 |
| ⑤ NATO Rail
滑条 | ⑥ Cold Shoe Mount
冷靴 |
| ⑦ Strap Slot
肩带 / 腕带接口 | ⑧ QD Socket
QD 接口 |
| ⑨ Dual-Head Wrench
双头扳手 | ⑩ M2.5 Screw
M2.5 螺丝 |

2. Top Handle / 上提手柄

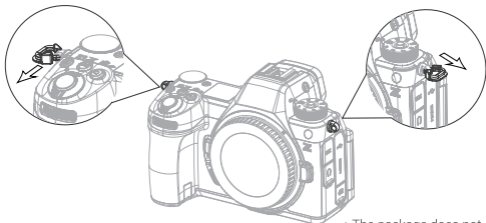


- ① 1/4"-20 Threaded Hole
1/4"-20 螺纹孔
- ② ARRI 3/8"-16 Locating Hole
阿莱 (ARRI) 定位孔
- ③ Cold Shoe Mount
冷靴
- ④ Cold Shoe with Anti-off Pin
冷靴防脱键
- ⑤ Allen Wrench
六角扳手

Cage Installation Instruction / 拓展框安装步骤

1. Remove the split D-ring on the both sides before installing the cage.

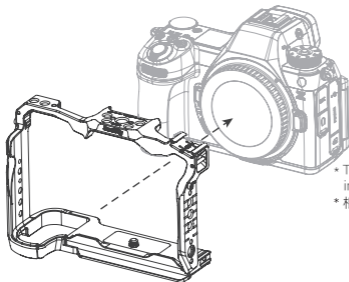
1. 取下相机双侧肩带环。



- * The package does not include the camera
- * 相机机身需另购

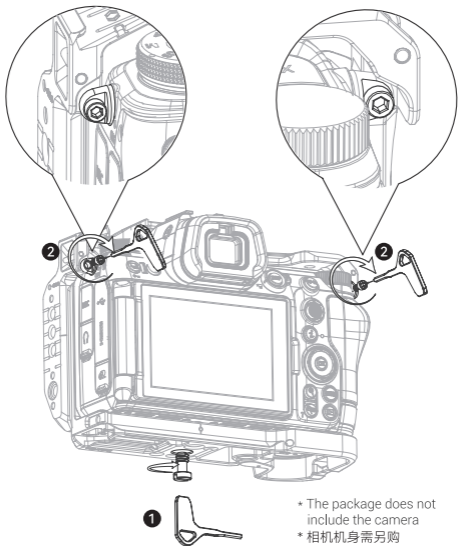
2. Put the camera into the cage from back to the front.

2. 将相机从后往前放入相机拓展框。



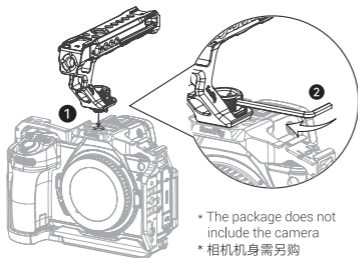
- * The package does not include the camera
- * 相机机身需另购

3. ① Install the cage by tightening the 1/4"-20 screw on the bottom.
- ② Remove the two M2.5 screws at both sides of the cage, then pass the M2.5 screws through the shoulder strap holes on both sides of the camera and tighten them onto the cage.
3. ① 拧紧底部1/4"-20 螺丝，锁紧固定拓展框。
- ② 取下拓展框两侧的两颗M2.5螺丝，然后将M2.5螺丝分别穿过相机两侧肩带孔与拓展框锁紧固定。



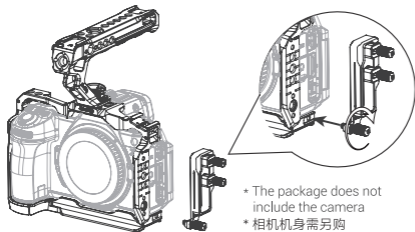
Top Handle Installation Instruction / 上提手柄安装步骤

- 1 Align the top handle with the ARRI 3/8"-16 locating hole on the cage.
将上手提对准相机拓展框的阿莱 (ARRI) 定位孔。
- 2 Tighten the ARRI 3/8"-16 locating screw by the included Allen wrench.
拧紧阿莱 (ARRI) 定位螺丝，使用六角扳手加固锁紧。

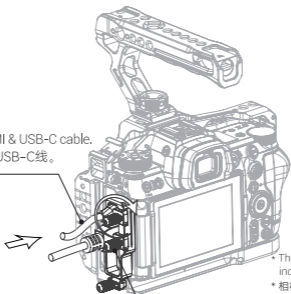


HDMI & USB-C Cable Clamp Installation Instruction HDMI & USB-C线夹安装步骤

- 1 Install the cable clamp to the cage by tightening the thumbscrew.
通过一颗手拧螺丝，将线夹和拓展框锁紧固定。



- 2 Insert the HDMI & USB-C cable.
插入HDMI & USB-C线。



* The package does not include the camera
* 相机机身需另购

- 3 Tighten the thumbscrew to secure the cable.
拧紧手拧螺丝固定线材。

执行标准: GB/T 26572-2011

CE RoHS



www.smallrig.com



LQ-P1263-18
Made in China
中国制造

