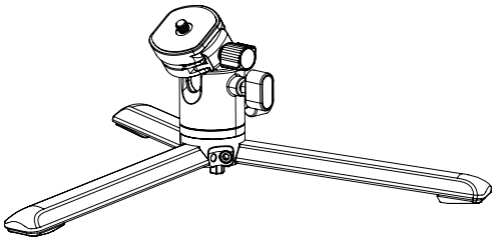


SmallRig



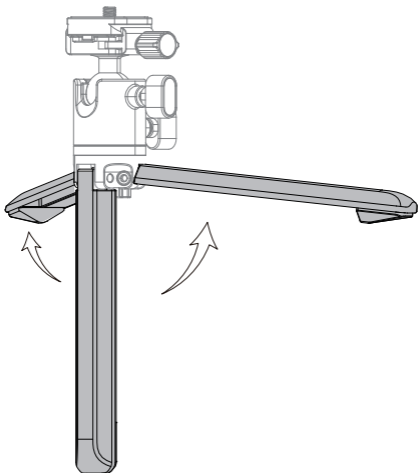
Metal Tabletop Tripod with Panoramic Ball Head 金屬桌面三腳架帶全景云台

Operating Instruction / 操作指引

- Thank you for purchasing SmallRig's product.
感谢您购买 SmallRig 产品。
- Please read this Operating Instruction carefully.
使用本产品之前，请仔细阅读操作指引。
- Please follow the safety warnings.
请注意所有警告提示并遵循使用操作指引的所有指令。

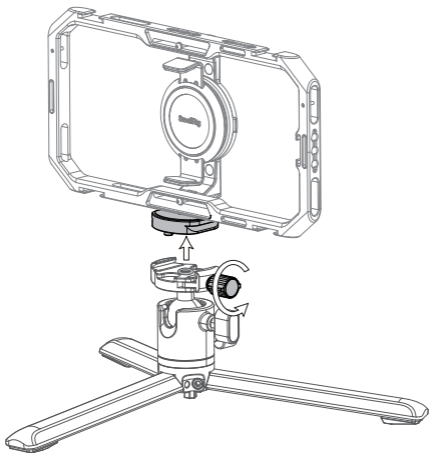
1. Open the tripod.

打开三脚架。



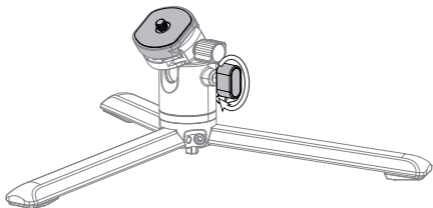
2. Attach the tripod Arca quick-release plate with the device: Turn the illustrated knob counterclockwise to take out the Arca quick-release plate. Align the 1/4-20" screws of the Arca plate with the threaded holes of the device, rotate the D-screws in the bottom of the Arca plate clockwise until it is tightly attached to the device, and finally attach the Arca plate back to the base of the tripod.

三脚架阿卡快装板与设备连接：逆时针旋转图示旋钮，取出阿卡快装板。将阿卡快装板的1/4-20"螺丝对设备的螺纹孔，顺时针旋转阿卡快装板底部的D型螺丝直至与设备紧密安装，最后将阿卡快装板装回三脚架底座。



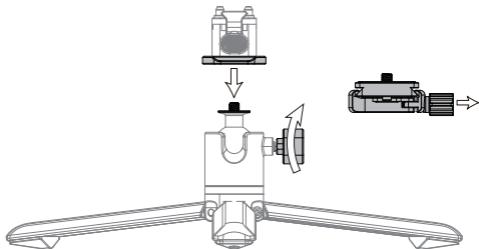
3. Ball head adjustment: Rotate the illustrated knob clockwise to adjust the ball head to the desired angle, and then rotate the illustrated knob counterclockwise to lock the ball head.

球头调节：顺时针旋转图示旋钮，调整球头至需要的角度，然后逆时针旋转图示旋钮锁紧球头。



4. Use the Quick Release Adapter: Rotate the Arca Base clockwise until it is fully released, and attach the Quick Release Adapter 4609 (sold separately) to the ball head 1/4-20" screw to use the SmallRig Hawlock H11 Quick Release Ecosystem.

使用快拆转接头：顺时针旋转阿卡底座直至完全释放，将快拆转接头4609（需另外购买）连接至球头1/4-20"螺丝上，即可使用SmallRig 迅鹰H11快拆生态。



Manufacturer: Shenzhen Leqi Innovation Co., Ltd.

制造商: 深圳市乐其创新股份有限公司

Add: Rooms 103, 501 and 601, Building 5, Fenghe Industrial Park, Nos. 1301-50
Guanguang Road, Longhua District, Shenzhen, Guangdong, China.

地址: 中国广东省深圳市龙华区观澜街道新澜社区观光路 1301-50 号丰和工业园厂房
5 栋 103、501、601

Consignor: Shenzhen LC Co., Ltd.

委托商: 深圳市乐长科技有限公司

Add: Rooms 602, Building 5, Fenghe Industrial Park, No. 1301-50 Guanguang Road,
Xinlan Community, Guanlan Street, Longhua District, Shenzhen, Guangdong, China.

地址: 中国广东省深圳市龙华区观澜街道新澜社区观光路 1301-50 号丰和工业园厂房
5 栋 602

CE RoHS



执行标准: GB/T 26572-2011

Made in China | 中国制造

