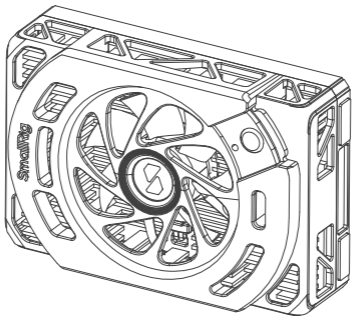


SmallRig



Cooling System for Sony Cameras

索尼微单相机散热器

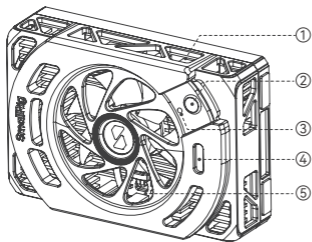
Operating Instruction / 操作指引

- Thank you for purchasing SmallRig's product.
感谢您购买 SmallRig 产品。
- Please read this Operation Guide carefully.
使用本产品之前，请仔细阅读操作指引。
- Please follow the safety warnings.
请注意所有警告提示并遵循使用操作指引的所有指令。

In the Box / 包装清单

Cooling System 散热器	× 1	Operating Instruction 操作指引	× 1
USB-C Cable USB-C 线	× 1	Guarantee Card 保修卡	× 1

Product Details / 产品介绍

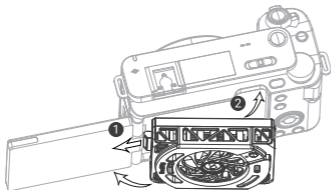


- | | | |
|---|------------------------|--------------------|
| ① Air Outlet
出风口 | ② Power Switch
电源开关 | ③ Indicator
指示灯 |
| ④ USB-C Power Supply Port
USB-C 供电接口 | ⑤ Air Inlet
进风口 | |

Installation Instruction / 安装步骤

1. As shown in the picture, open the camera LCD screen and install the Cooling System from right to left into the camera LCD screen storage slot.

如图，打开相机LCD屏，将散热器从右往左安装至相机LCD屏收纳位置。



* Note: The package does not include the camera. Please install the Cooling System according to the picture above.

* 注意：相机机身需另购。请严格按照上图安装散热器。

2. Turn on the power, the Cooling System enters the standby mode, the indicator light shows red. Press and hold the power switch for about 2 seconds, the Cooling System enters the normal mode, the Cooling System light shows green. Press the power switch, the Cooling System can switch between normal mode and enhanced mode. In enhanced mode, the indicator light shows blue color.

接通电源，散热器进入待机状态，指示灯显示红色。长按电源开关约2秒，散热器进入普通散热模式，指示灯显示绿色。按压电源开关，散热器可切换普通散热模式和强散热模式。强散热模式下，指示灯显示蓝色。

Indicator Color / 指示灯颜色	Cooling System Status / 散热器状态
Red / 红色	Standby Mode / 待机模式
Red Light Flashing / 红色闪烁	Anomaly / 异常
Green / 绿色	Normal Mode / 普通模式
Blue / 蓝色	Enhanced Mode / 强散热模式

Note / 注意事项

1. Do not use the Cooling System to continue cooling the camera when the camera is not operating to prevent condensation inside the camera.
相机不工作时，请勿使用散热器继续为相机散热，防止相机内部产生冷凝水。
2. When not in use, press and hold the power switch for about 2 seconds to enter standby mode or disconnect the power cord to power off the device.
不使用时，请长按电源开关约2秒进入待机状态或拔掉电源线关闭电源。
3. Do not block the air inlet or outlet when the Cooling System is in operation.
散热器工作时，请勿遮挡进风口或出风口。
4. This product is not waterproof, do not store or use in a humid environment.
此产品无防水功能，请勿在潮湿环境中储存或使用。

Cooling System Exception Protection / 散热器异常保护

Types of protection 保护类型	Anomalous Problem 异常问题	Cooling System protected 散热器采取措施
Overheating protection 1 过热保护 1	Fan stops abnormally, causing Cooling System temperature to rise. 风扇异常停止，导致散热器温度上升。	The surface temperature of the Cooling System reaches 70°C / 158°F and the Cooling System stops working. 表面温度超过 70°C，散热器停止工作。
Overheating protection 2 过热保护 2	Abnormal TEC cooling pads cause Cooling System temperature to rise. 半导体制冷片异常导致散热器温度上升。	The surface temperature of the Cooling System reaches 70°C / 158°F and the Cooling System stops working. 表面温度超过 70°C，散热器停止工作。
Undervoltage Protection 欠压保护	Input voltage less than 4.4 V 输入电压小于 4.4 V	Cooling System stops working 散热器停止工作
Over-voltage protection 过压保护	Input voltage more than 10.8 V 输入电压超过 10.8 V	Cooling System stops working 散热器停止工作

Product Parameters / 产品参数

Operating Voltage 工作电压	DC 4.5 - 10.8V
Operating Current 工作电流	1 - 2A
Operating Power 制冷功率	5 - 18W
Operating Temperature 工作环境温度	0 to 45°C / 32°F to 113°F 0 ~ 45°C
Cooling Principle 制冷原理	TEC Cooling 半导体制冷
Noise Level 产品噪音	Normal Mode / 普通模式: < 40dB Enhanced Mode / 强散热模式: < 50dB
Fan Speed 风扇转速	Normal Mode / 普通模式: 4500RPM Enhanced Mode / 强散热模式: 7000RPM
Materials 产品材质	Aluminum Alloy + ABS-PC 铝合金 + ABS-PC
Product Weight 产品重量	3.5 ± 0.2 oz 100.0 ± 5.0 g
Product Dimensions 产品尺寸	2.9 × 2.0 × 0.8 inches 75.0 × 51.9 × 21.6 mm
Compatibility 兼容机型	Sony ZV-E1 / ZV-E10 / ZV-1 / ZV-1F / Alpha 7 IV / Alpha 7S III / Alpha 7C / Alpha 7C II / Alpha 7CR / Alpha 6700 / FX 3 / FX 30



FREE YOUR DREAM

执行标准: GB4943.1-2022

LQ-B338-18

CE RoHS



Made in China

中国制造

