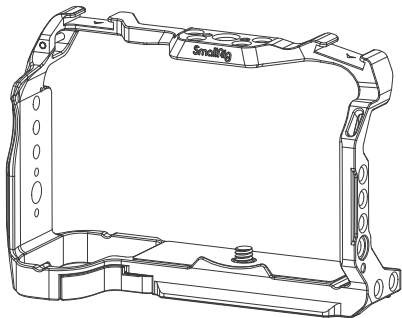


SmallRig

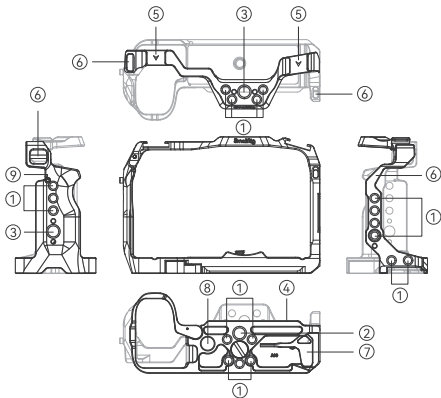


Cage for FUJIFILM X-S20

User Manual

· Thank you for purchasing SmallRig's product.

Product Introduction



① 1/4"-20 Threaded Hole

④ Arca-Swiss Quick Release Plate

⑦ Dual-Head Wrench

② 3/8"-16 Threaded Hole

⑤ Cold Shoe Mount

⑧ QD Socket

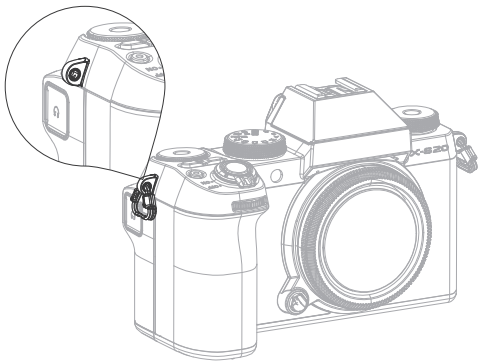
③ ARRI 3/8"-16 Locating Hole

⑥ Strap Slot

⑨ M2.5 Screw

Installation Instruction

1. Remove the camera's split D-ring on the right side before installing the cage

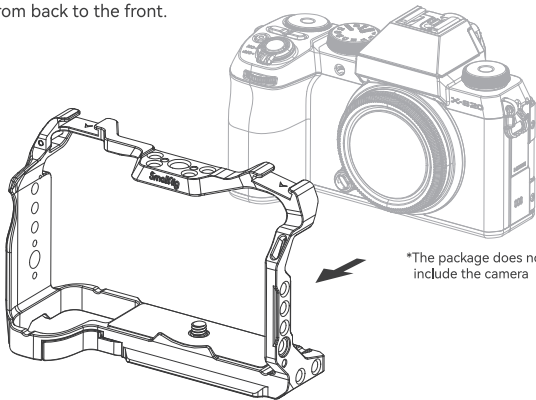


*The package does not include the camera

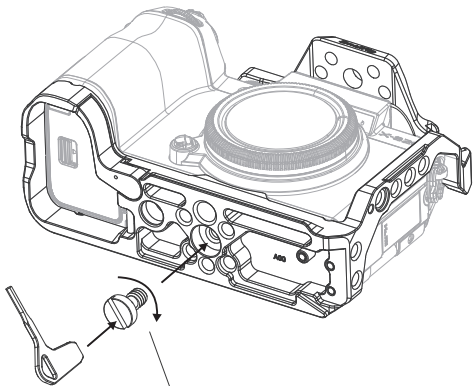
2. Install the Cage

Step 1:

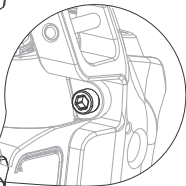
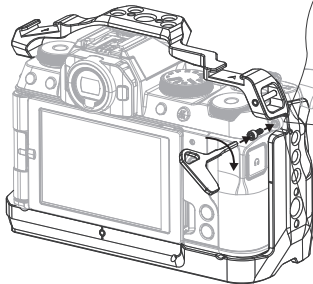
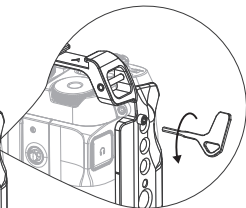
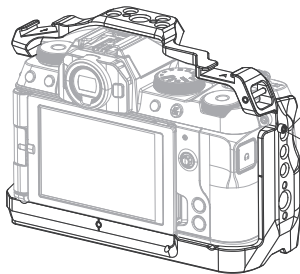
Put the camera into the cage
from back to the front.



*The package does not
include the camera



Step 2:
Install the cage via tightening
the 1/4"-20 screw.



Step 3:

Take off the M2.5 screw on the right side of the cage, then lock the M2.5 screw to the cage via the strap slot of the camera.

Specifications

Product Dimensions	142.3 × 58.3 × 99mm
Product Weight	140g ± 5g
Material(s)	Aluminum Alloy

Service & Warranty

Please keep your original receipt and guarantee card. Be sure the dealer has written on it the date of purchase and SN of the product. These are required for warranty service.

After-sale Warranty Terms

SmallRig products are entitled to warranty services as of the date of payment.

- Electronic products (except V mount battery): 1-year warranty.
- V mount battery: 2-year warranty.
- Non-electronic products: 2-year warranty.

Note: In case of any conflict between our warranty period policy and applicable laws and regulations of the country / region where the products are sold, the latter shall prevail.

This Warranty Does Not Cover

1. If users fail to adhere to the "Operating Instruction" or any "Warnings" stated in the user manual, resulting in a quality failure, it falls outside the scope of warranty coverage.
2. The product identification or SN label is removed or defaced in any way.
3. Product damage caused by problems not attributable to the quality of the products such as improper use of the products.
4. Product damage caused by unauthorized modification, disassembly, repair and other acts.
5. Product damage caused by fires, floods, lightning and other force majeure factors.

Warranty Mode

• For the products within the scope of warranty, SmallRig will repair or replace them on the basis of specific failures; the repaired / replaced products / parts are entitled to the remaining part of the original warranty period.

Contact Information

• You're advised to contact the online customer service personnel of corresponding shopping platform and submit a repair service application.

• You may also apply for repair service through SmallRig's service email.

Service Email: support@smallrig.com

Guarantee Card

Serial No.	
Item Name	
Purchase Date	
User Name	
Mobile	
Address Receipt	

EC	REP	Prolinx GmbH Brehmstr.56,40239 Duesseldorf Germany eu@eulinx.eu
----	-----	---

Manufacturer: Shenzhen Leqi Innovation Co., Ltd.
Add: Rooms 103, 501 and 601, Building 5, Fenghe Industrial Park,
Nos. 1301-50 Guangguang Road, Longhua District, Shenzhen,
Guangdong, China.

Consignor: Shenzhen LC Co., Ltd.
Add: Rooms 602, Building 5, Fenghe Industrial Park, No. 1301-50
Guangguang Road, Xinlan Community, Guanlan Street, Longhua
District, Shenzhen, Guangdong, China.

UK	REP	Prolinx Global LTD 27 Old Gloucester Street London, WC1N3AX, UK eu@eulinx.eu
----	-----	--



WE ARE HERE FOR YOU

服务与支持

ETICHETTATURA AMBIENTALE

ENVIRONMENTAL LABELING

CE RoHS

Made in China

