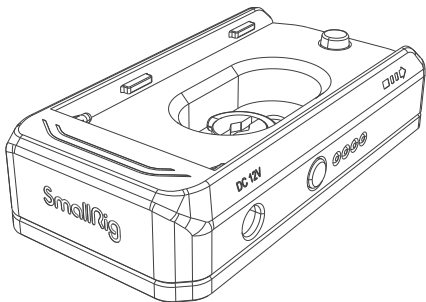


SmallRig



NP-F Battery Adapter Mount Plate (Advanced Edition)

User Manual

For your and the item's safety, please read this product manual carefully and keep it well for future reference.

Foreword

Thank you for purchasing SmallRig's product.

Warnings

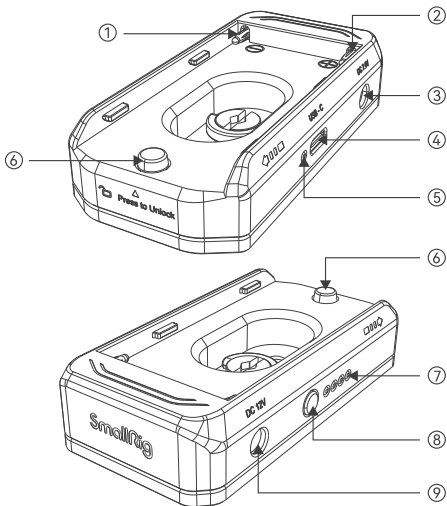
- Do not dismantle it at random as it contains electronic components and do not drop or crash it.
- Keep it out of the reach of children.
- Please avoid high temperature and high humidity when storing or using this product.
- If you have any questions, please contact the platform for after-sales services.



Please do not disassemble the product. If you have any question, please contact the seller to apply after-sales service.

- It will be regarded as an improper use when the users are not correctly follow the user manual or use the product under the specific working condition.

Product Introduction



- ① NP-F Battery Contact (-)
- ② NP-F Battery Contact (+)
- ③ DC5521 7.4V Output Terminal
- ④ USB-C Input / Output Terminal
- ⑤ Mode Light
- ⑥ Battery Lock
- ⑦ Battery Level LED Indicator
- ⑧ Battery Level Display Button
- ⑨ DC5525 12V Output Terminal

Operating Instructions

1. Plug a NP-F battery (recommended) into the adapter plate;
2. Charge the battery through the USB-C port. To charge the battery, use a USB-C cable to connect an adapter to the USB-C port. Then you will see the indicator light turn orange, which means the battery is in slow-charging mode, and turn ice blue, when a fast-charging mode is enabled. The input power in fast-charging mode depends on the output capacity of the adapter, and the charging time depends on the battery capacity and the current charging mode;
3. To output power, plug in a USB-C or DC cable and the power light will go on for 3 seconds, indicating the plate is ready to charge your rig;
4. The USB-C port supports fast discharging. When the indicator light turns orange, it means the battery is in slow-discharging mode and when it turns ice blue, it means a fast-discharging mode is enabled. The max output power is 36W;
5. The DC5521 7.4V output port supports dummy batteries with a voltage range from 6.4V to 8.4V;

6. The DC5525 12V output port supports camera DC port with a rated voltage of 12V;

In the Box

NP-F Battery Adapter Mount Plate	× 1
1/4"-20 Screw	× 2
5/32" L-Shaped Allen Wrench	× 1
User Manual	× 1

Product Parameter

Maximum Working Power	≤ less than battery power (based on NP-F battery capacity)
Standby Power (Static Reference Power)	≤ 0.2W
DC5521 7.4V Output Terminal	6.4V - 8.4V MAX: 3A
DC5525 12V Output Terminal	12V ± 5% MAX: 3A
USB-C Input / Output Terminal Charging Input	5V / 3A,9V / 2.7A,12V / 2.1A(MAX:25W)
USB-C Input / Output Terminal Discharge Output	5V / 3A,9V / 3A 12V / 3A(MAX:36W)
Charging Working Temperature	0°C - 40°C
Working Humidity Range	Relative humidity 20% - 90%RH non-condensing
Storage Environment	-40°C - 70°C

Supportive Protocols

Supportive Protocol for USB-C Charging Input	PD3.0, QC 2.0, QC3.0, SCP, FCP, AFC
Supportive Protocol for USB-C Discharge Output	PD3.0, QC 2.0, QC3.0, SCP, FCP, AFC
Working Light	Support charging NP-F battery through USB-C port indicator light for Charge and discharge mode: orange-slow charge / slow discharge, ice blue light-fast charge / fast discharge Battery Level Indicator: four LED light beads, one light flashes when it is lower than 10%, one light is on when it is 10% - 25%, two lights are on when it is 25% - 50%, three lights are on when it is 50% - 75%, four lights are on when it is 75% - 100%

Service Warranty

Please keep your original receipt and guarantee card. Be sure the dealer has written on it the date of purchase and SN of the product. These are required for warranty service.

After-sale Warranty Terms

SmallRig products are entitled to warranty services as of the date of payment.

- Electronic products (except V mount battery): 1-year warranty.
- V mount battery: 2-year warranty.
- Non-electronic products: 2-year warranty.

Note: In case of any conflict between our warranty period policy and applicable laws and regulations of the country / region where the products are sold, the latter shall prevail.

This Warranty Does Not Cover

1. If users fail to adhere to the "Operating Instruction" or any "Warnings" stated in the user manual, resulting in a quality failure, it falls outside the scope of warranty coverage.
2. The product identification or SN label is removed or defaced in any way.
3. Product damage caused by problems not attributable to the quality of the products such as improper use of the products.
4. Product damage caused by unauthorized modification, disassembly, repair and other acts.
5. Product damage caused by fires, floods, lightning and other force majeure factors.

Warranty Mode

- For the products within the scope of warranty, SmallRig will repair or replace them on the basis of specific failures; the repaired / replaced products / parts are entitled to the remaining part of the original warranty period.

Contact Information

- You're advised to contact the online customer service personnel of corresponding shopping platform and submit a repair service application.
- You may also apply for repair service through SmallRig's service email.
Service Email: support@smallrig.com

Guarantee Card

ID No.	
Item Name	
Purchase Date	
User Name	
Mobile	
Address	
Receipt	



Prolinx GmbH
Brehmstr.56,40239 Duesseldorf Germany
eu@eulinx.eu



Prolinx Global LTD
27 Old Gloucester Street London,
WC1N3AX, UK eu@eulinx.eu



WE ARE HERE FOR YOU
服务与支持



ETICHETTATURA AMBIENTALE
ENVIRONMENTAL LABELING

Manufacturer: Shenzhen Leqi Network Technology Co., Ltd.
Add: Rooms 103, 501 and 601, Building 5, Fenghe Industrial Park, Nos. 1301-50
Guangang Road, Longhua District, Shenzhen, Guangdong, China.

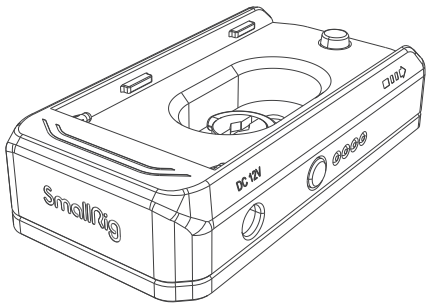
Consignor: Shenzhen LC Co., Ltd
Add: Rooms 602, Building 5, Fenghe Industrial Park, No. 1301-50
Guangang Road, Xinlan Community, Guanlan Street, Longhua District,
Shenzhen, Guangdong, China.

CE RoHS FC



Made in China

SmallRig



NP-F电池供电安装板高级版

用户手册

为了保障使用者的安全以及防止不当使用导致产品损坏，请在使用前仔细阅读本手册的“重要提示”，并妥善保管好手册资料，以备随时查阅。

前言

感谢您购买SmallRig产品

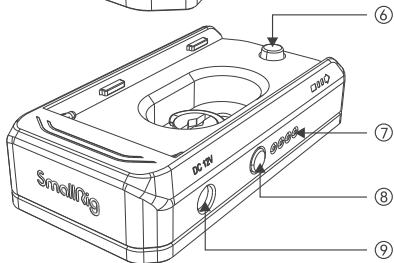
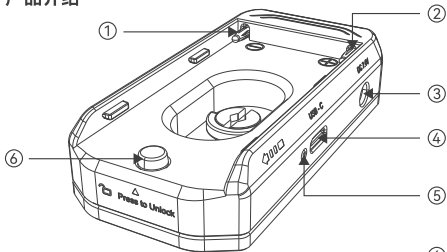
重要提示

- 本产品内部含有电子元件，请勿擅自拆机，同时避免高处跌落或强烈撞击。
- 请将本产品放置在儿童不能接触的地方。
- 存放或使用本产品时请避免高温、高湿场所。
- 如您对产品有任何疑问，请联系购买平台，申请售后处理。



请勿拆卸产品，如果您怀疑产品有任何问题，请联络购买平台，申请售后处理。

产品介绍



- | | | |
|-----------------------|-----------------|----------------------|
| ① NP-F 电池触点- | ④ USB-C 输入 / 输出 | ⑦ LED 电量指示灯 |
| ② NP-F 电池触点+ | ⑤ 模式指示灯 | ⑧ 电量显示按键 |
| ③ DC5521 7.4V
输出端口 | ⑥ 电池锁扣 | ⑨ DC5525 12V
输出端口 |

使用操作说明

1. 把电池正确装入供电安装板的卡位中，推荐使用标准的NP-F电池；
2. 使用USB-C端口给电池充电时，通过USB-C充电线连接适配器与供电安装板来提供充电能量。注意工作模式指示灯的状态变化，插入时显示橙色则为普通工作模式，当进入快充模式时会转为亮冰蓝色，快充的功率取决于适配器的输出能力，充电的时间长短取决于电池的容量和当前的充电模式；
3. 对外输出时，插入电缆后自动激活并输出电流和电压，电量指示灯会长亮3秒后自动熄灭，表示可以对外输出供电；
4. 使用USB-C端口给外部设备供电时，可提供快充功能，如果被输入设备或者手机等是支持快充模式的设备，模式指示灯会依工作模式的变化实时变化，橙色为普通输出工作模式，当识别快速放电模式时会亮冰蓝色，最大可提供36W的输出功率；
5. 使用DC5521 7.4V端口时，插入插头后开始输出电流和电压，可以支持假电池包的工作，相机假电池包电压范围是6.4~8.4V之间；
6. 使用DC5525 12V端口时，插入插头后开始输出电压，可以支持相机DC座输入供电，相机DC座额定电压是12V。

包装清单

NP-F电池供电安装板高级版	× 1
1/4"-20 螺丝	× 2
L型5/32"内六角扳手	× 1
用户手册	× 1

规格参数

整机最大工作功率	≤ 小于电池功率（以NP-F电池容量为准）
待机功率（静态参考功率）	≤ 0.2W
DC5521 7.4V输出端口	6.4V - 8.4V MAX: 3A
DC5525 12V输出端口	12V ± 5% MAX: 3A
USB-C输入 / 出端口 充电输入	5V / 3A, 9V / 2.7A, 12V / 2.1A (MAX: 25W)
USB-C输入 / 出端口 放电输出	5V / 3A, 9V / 3A 12V / 3A (MAX: 36W)
充电工作温度	0°C ~ 40°C
工作湿度适应范围	相对湿度 20% ~ 90%RH 不结露
储存环境	-40°C ~ 70°C

支持协议

USB-C充电输入支持协议	PD3.0、QC 2.0、QC3.0、SCP、FCP、AFC
USB-C放电输出支持协议	PD3.0、QC 2.0、QC3.0、SCP、FCP、AFC
工作指示灯	支持通过USB-C接口为NP-F电池充电 充放电模式指示灯：橙色-慢充 / 慢放， 冰蓝灯-快充 / 快放 电量指示：四颗LED，低于10%一灯闪烁， 10%-25%亮一灯，25%-50%亮两灯， 50%-75%亮三灯，75%-100%亮四灯

保修条款

请保留您的原始购买单据及保修卡,同时包含您的购买日期、产品序列号等,这些资料质保服务时均需要提供。

售后质保条款

SmallRig产品自下单付款之日起享有质保服务。

- 电子产品(除V口电池): 1年质保。
- V口电池: 2年质保。
- 非电子产品: 2年质保。

注:若销售地国家或地区的适用法律法规有冲突的,以销售地国家或地区有关质保期的法律法规为准。

质保无效说明

1. 当用户违反操作指引或用户手册中“重要提示”任何一条导致的质量失效,不在质保范围内。
2. 产品序列号标识已经被撕毁或无法辨识,不在质保范围。
3. 产品使用不当等非产品本身质量问题,而造成的产品损坏,不在质保范围。
4. 非官方指导的私自改装、拆解、维修等行为而造成的损坏,不在质保范围。
5. 因火灾、水灾、雷击等不可抗力造成的产品损坏,不在质保范围。

维修方式

- 属于质保范围的,SmallRig根据产品具体的故障对产品进行维修或更换;维修后的产品/部件享受原有保修期的剩余时长。

联系方式

- 建议您优先前往相应购买平台联系在线客服,提出产品维修申请。
- 您也可以通过 SmallRig 服务邮箱申请维修服务。

服务邮箱: support@smallrig.com

保修卡

ID编号	
产品名称	
购买日期	
用户姓名	
用户电话	
用户地址	
购买单据	

制造商: 深圳市乐其网络科技有限公司

地址: 中国广东省深圳市龙华区观澜街道新澜社区观光路 1301-50 号
丰和工业园厂房 5 栋 103、501、601

委托商: 深圳市乐长科技有限公司

地址: 中国广东省深圳市龙华区观澜街道新澜社区观光路1301-50号
丰和工业园厂房 5 栋 602

CE RoHS FC

合格证
已检验



执行标准: GB 4706.1-2005



中国制造