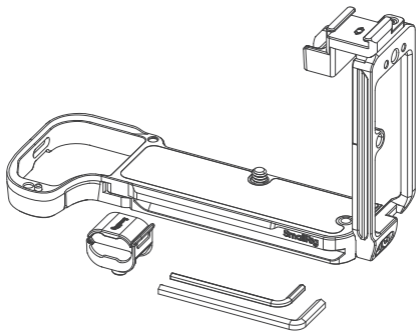


# SmallRig



L-Shape Mount Plate for FUJIFILM GFX100S II

— 富士 GFX100S II L型安装板 —

Operating Instruction / 操作指引

· Thank you for purchasing SmallRig's product.

感谢您购买 SmallRig 产品。

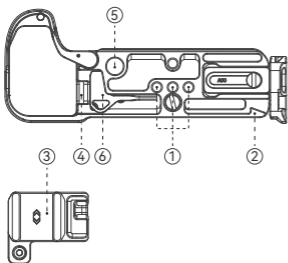
· Please read this Operation Guide carefully. Please follow the safety warnings.

使用本产品之前，请仔细阅读操作指引，请注意所有警告提示并遵循使用操作指引的所有指令。

## In the Box / 包装清单

L-Shape Mount Plate	× 1	Allen Wrench	× 2
L 板		六角扳手	
Locating Block	× 1	Operating Instruction	× 1
定位压块		操作指引	
Cable Clamp	× 1	Guarantee Card	× 1
束线夹		保修卡	

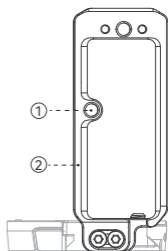
## Product Details / 产品介绍



① 1/4"-20 Threaded Hole  
1/4"-20 螺纹孔

② Arca-Swiss Quick Release Plate  
阿卡规格快装板

③ Cold Shoe Mount  
冷靴



④ Strap Slot  
肩带 / 腕带接口

⑤ QD Socket  
QD 接口

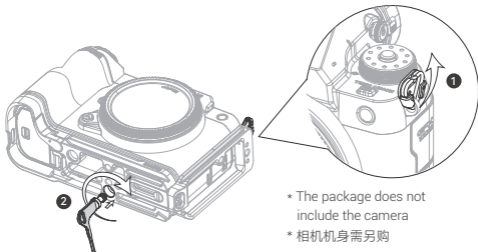
⑥ Dual-Head Wrench  
双头扳手

## L-Shape Mount Plate Mounting Instruction / L型竖拍板安装步骤

### 1. Standard Mounting of the L-Shape Mount Plate / 标准场景安装

Turn up the left split D-ring, and secure the L-shaped mounting plate and camera by tightening the bottom 1/4"-20 screw.

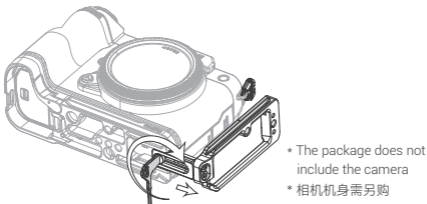
将左侧肩带环上翻，然后通过拧紧底部1/4"-20 螺丝锁紧固定L型安装板和相机。



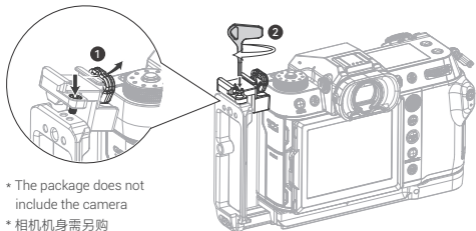
### 2. Mount the Extended L-Shape Mount Plate / 拉伸场景安装

Move the side plate to the left, then secure it by the Dual-Head Wrench.

将侧板移动至最左侧，通过双头扳手锁紧固定。



- 1 Turn up the split D-ring, install the locating block from bottom to top.  
将左侧肩带环上翻，从下往上安装定位压块。
- 2 Fix the L-shaped mounting plate and camera by tightening the screws.  
通过锁紧螺丝，固定L型安装版和相机肩带槽。



\* The package does not include the camera

\* 相机机身需另购

## Specifications / 产品参数

Compatibility 适配性	FUJIFILM GFX100S II / GFX100S / GFX50S II 富士 GFX100S II / GFX100S / GFX50S II
Product Dimensions 产品尺寸	6.3 × 2.5 × 4.2in 160 × 65.1 × 107.7mm
Product Weight 产品重量	4.6 ± 0.2oz 132.0 ± 5.0g
Material (s) 主要材质	Aluminum Alloy 铝合金

执行标准：GB/T 26572-2011

LQ-P1294-18

CE RoHS



Made in China

中国制造

