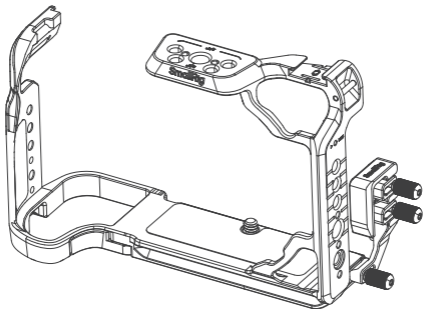


# SmallRig



Cage Kit for FUJIFILM GFX100S II

— 富士 GFX100S II 拓展框套件 —

Operating Instruction / 操作指引

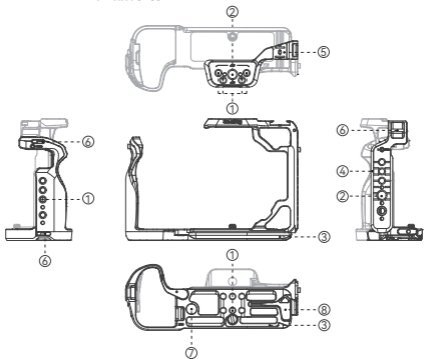
Thank you for purchasing SmallRig's product.

感谢您购买 SmallRig 产品。

## In the Box / 包装清单

Cage 拓展框	× 1	Operating Instruction 操作指引	× 1
HDMI & USB-C Cable Clamp HDMI & USB-C 线夹	× 1	Guarantee Card 保修卡	× 1

## Product Details / 产品介绍

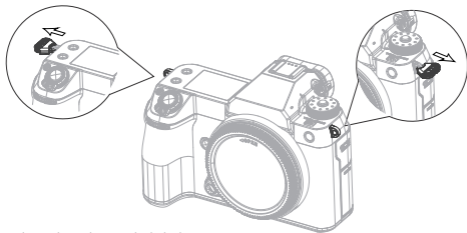


- |   |                            |
|---|----------------------------|
| ① 1/4"-20 Threaded Hole<br>1/4"-20 螺纹孔        | ⑤ Cold Shoe Mount<br>冷靴    |
| ② ARRI 3/8"-16 Locating Hole<br>阿莱 (ARRI) 定位孔 | ⑥ Strap Slot<br>肩带 / 腕带接口  |
| ③ Arca-Swiss Quick Release Plate<br>阿卡规格快装板   | ⑦ QD Socket<br>QD 接口       |
| ④ NATO Rail<br>滑条                             | ⑧ Dual-Head Wrench<br>双头扳手 |

## Cage Installation Instruction / 拓展框安装步骤

1. Remove the both sides split D-ring before installing the cage.

取下相机双侧肩带环。

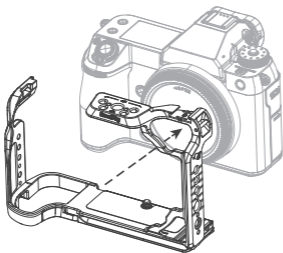


\* The package does not include the camera

\* 相机机身需另购

2. Put the camera into the cage from back to the front.

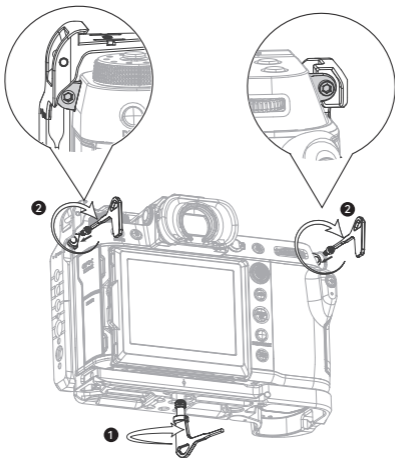
将相机从后往前放入相机拓展框。



\* The package does not include the camera

\* 相机机身需另购

3. ① Install the cage via tightening the 1/4"-20 screw and locating screw.  
拧紧底部1/4"-20 螺丝，锁紧固定拓展框。
- ② Remove the two M2.5 screws at both sides of the cage, then pass the M2.5 screws through the shoulder strap holes on both sides of the camera and tighten them onto the cage.  
取下拓展框两侧的两颗M2.5 螺丝，然后将M2.5 螺丝分别穿过相机两侧肩带孔与拓展框锁紧固定。



\* The package does not include the camera

\* 相机机身需另购

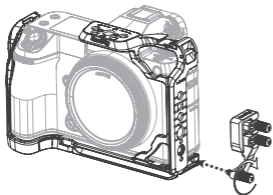


## HDMI & USB-C Cable Clamp Installation Instruction

### HDMI & USB-C线夹安装步骤

1. Install the cable clamp to the cage by tightening the thumbscrew

通过一颗手拧螺丝，将线夹和拓展框锁紧固定。

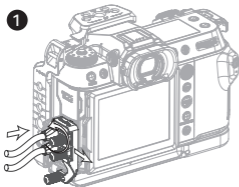


\* The package does not include the camera

\* 相机机身需另购

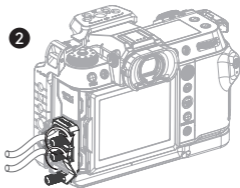
2. Loosen the thumbscrew, then insert the HDMI & USB-C cables, tighten the thumbscrew to secure the cable.

拧松螺丝，然后插入HDMI & USB-C线，拧紧手拧螺丝固定线材。



\* The package does not include the camera

\* 相机机身需另购



## Specifications / 产品参数

Compatibility 适配性	FUJIFILM GFX100S II / GFX100S / GFX50S II 富士GFX100S II / GFX100S / GFX50S II
Product Dimensions 产品尺寸	7.2 × 4.6 × 2.6in 182.8 × 117.1 × 64.8mm
Product Weight 产品重量	7.6 ± 0.2oz 215.0 ± 5.0g
Material (s) 主要材质	Aluminum Alloy 铝合金

执行标准: GB/T 26572-2011

**CE RoHS**



LQ-P1293-18

中国制造

Made in China