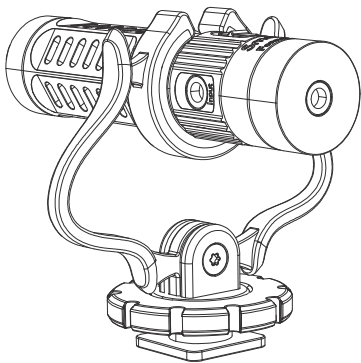


SmallRig



Forevala S20

On-Camera Microphone

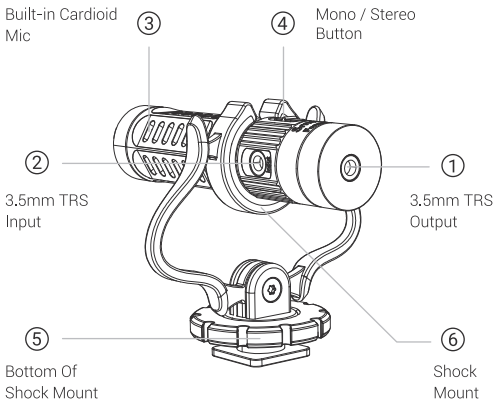
机顶麦克风

Operating Instruction / 操作指引

Thank you for choosing SmallRig Forevala S20 on-camera microphone!

Equipped with a built-in cardioid microphone and designed with stereo recording mode, SmallRig Forevala S20 on-camera microphone was distinguished in recording extremely vivid presence sound! The feast of sound is right beyond. Hopefully you will be able to use this efficient tool to record beautiful sounds and save time!

Quick overview of your S20!



3.5mm TRS output: Connect the recording device like a DSLR camera to S20 with the TRS camera cable via this jack. Or connect the smartphone to S20 with TRRS phone cable via this jack. For iPhone 7 or version above, it required the extra lightning to 3.5mm headphone jack adapter (not included).

3.5mm TRS input: Connect the extra microphone like the customized lavalier microphone enclosed with the S20 via this port for stereo sound recording purpose.

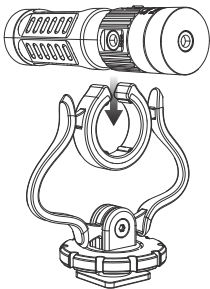
Built-in cardioid mic: Distinct in noise, echo reduction, the cardioid condenser microphone is super in capturing the best sound details.

Mono/ stereo button: Toggle the "M" / "S" button to switch to the "Mono" / "Stereo" mode.

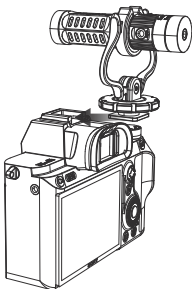
Bottom of shock mount: With a locking knob, you can fix or quickly disassemble the shock mount. The shock mount is adaptable to the cold shoe mount or the tripod with a 1/4" screw thread.

Shock mount: Besides firmly loading S20, the shock mount can also reduce vibrations and filter noise.

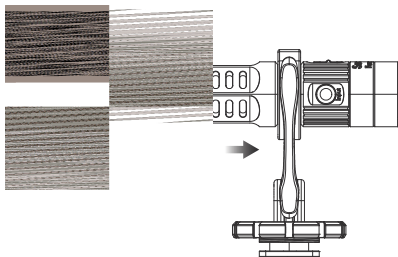
Instructions



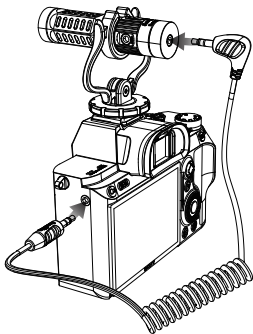
1. Fix the S20 on-camera microphone onto the shock mount.



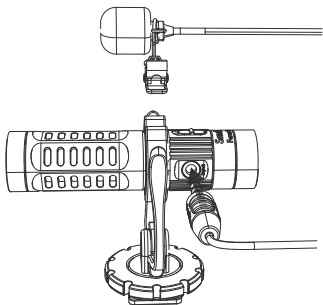
2. Fix the shock mount onto the cold shoe mount on a DSLR camera or a camcorder, or the 1/4" screw thread of a tripod.



3. Putting a furry windscreen or a foam windscreen onto S20 can effectively eliminate wind noise based on recording scene needs.



4. Connect the 3.5mm output jack of S20 with the 3.5mm input jack of DSLR camera via the 3.5mm TRS cable.



5. For the professional stereo effects, please connect a extra microphone like the customized lavalier microphone to the S20 and toggling the mode switch button to "S" mode. In this manner, you can obtain a stereo sound which is more suitable for interview purpose.

Operation tips

A. When using a DSLR camera or a camcorder for recording, please link the S20 and the DSLR camera with the 3.5mm TRS cable. If it was going to install on the cold shoe adapter of a DSLR camera or a camcorder, please tighten the locking knob until the bottom of the shock mount was completely fixed to the devices.

B. When you're using a cell phone or tablet with 3.5mm input jack for recording, please connect it with a 3.5mm audio cable labelled as "for phone".

C. If your mobile phone does not have a 3.5mm microphone input jack, please use the 3.5mm converter cable provided by the corresponding mobile phone manufacturer. Connect the 3.5mm dongle cable with the "for phone" tagged cable first, and then connect the 3.5mm dongle to your mobile phone.

In the Box

On-camera Microphone	× 1
Lavalier Microphone	× 1
Patented Suspension Mount	× 1
Foam Windscreen	× 2
Furry Windscreen	× 1
3.5mm Camera Cable	× 1
3.5mm Smartphone Cable	× 1
Sticker Sets	× 1
Carrying Bag	× 1
Operating Instruction	× 1

FAQ

Q1: Is it compatible with different devices?

A1: Yes. S20 is compatible with devices having 3.5mm microphone input jacks, such as DSLR camera / camcorder/ portable recorder / Windows or Mac OS PC / mobile phone / laptop. You can opt for 3.5mm TRS camera cable to connect DSLR camera / camcorder/-portable recorder / Windows or Mac PC. Or you can select 3.5mm TRRS mobile phone cable to plug into mobile phone/laptop. For iPhone 7 or version above, it required the 3.5mm to lightning dongle (not included).

Q2: Does S20 record in stereo or mono? Is it possible for the built-in microphone on the camera to record simultaneously with S20?

A2: Yes, it can record stereo by the following steps:

1. Plug the external microphone into the 3.5mm microphone input jack.
2. Toggle the "M" or "S" buttons to "S" (i.e. Stereo mode).
3. Turn on the recording device and record the stereo sound. When S20 was working, the built-in microphone on your camera didn't allowed to record in synchrony.

Q3: Do you think this better for vlogs, skits, and action video shots overall?

A3: For vlogs, skits, and action video shoots, S20 would be powerful for interviews or conversations with the dual cardioid microphone feature. Record in synchrony.

Specifications

Product Components	On-Camera Mic	Lavalier Mic
Dimensions	φ20 × 82mm	6.7ft
Materials	Aluminum alloy	TPE + PC
Polar Pattern	Cardioid	Cardioid
Microphone Type	Condenser	Condenser
Sensitivity	-38dB ± 3dB	-42 ± 3dB
Frequency Range	50Hz ~ 20kHz	50Hz ~ 20kHz
SNR	70dB	65dB
Input Jack	3.5mm	/
Output Jack	3.5mm	3.5mm

Notifications

a.Operation and storage conditions: Please keep the tools out of fire source, especially keep it away from temperature higher than 158°F (70°C) - or lower than -50°F (-10°C). Be cautious the required working temperature should between 32 ~ 113°F (0 ~ 45°C). Please keep it in dry, clean area, free from oil, water, or chemical liquid. Those measures will help the device maintain longer lifespans, also it will do great help to keep the dangerous situation far away.

b.The Child can only operate this device with the guidance of adults, please do not let them operate this device alone.

c.FCC statement: This device complies with Part 15B of the FCC rules. Operation is subject to the following two conditions:

- 1).This device may not cause harmful interface;
- 2).This device must accept any interference received, including interference that may cause undesired operation.

d.CE compliance: This device complies with EN 60065 standard, which means this device will not do harm to the user or products as following situations:

- 1.Electric shock
- 2) High temperature
- 3) Radiation
- 4) Explosion from inner
- 5) Mechanical Harm
- 6) Fire Hazard
- 7) Chemical burns.

e.EU Conformity Statement: This product and - if applicable - the supplied accessories too are marked with "CE" and comply therefore with the applicable harmonized European standards listed under the EMC Directive 2014/30 / EU, the RoHS Directive 2011 / 65/EU and Amendment (EU) 2015 / 863.

f.WEEE Notice: 2012 / 19/EU (WEEE directive): Products marked with this symbol cannot be disposed of as unsorted municipal waste in the European Union. For proper recycling, return this product to your local supplier upon the purchase of equivalent new equipment, or dispose of it at designated collection points. For more information see: www.recycle-this.info

g.ROHS compliance: This product is in compliance with Directive 2011 / 65 / EU of the European Parliament and of the Council of 8 June 2011 on the restriction of the use of certain hazardous substances in electrical and electronic equipment.

Service & Warranty

Please keep your original receipt and guarantee card. Be sure the dealer has written on it the date of purchase and SN of the product. These are required for warranty service.

After-sale Warranty Terms

SmallRig products are entitled to warranty services as of the date of payment.

- Electronic products (except V mount battery): 1-year warranty.
- V mount battery: 2-year warranty.
- Non-electronic products: 2-year warranty.

Note: In case of any conflict between our warranty period policy and applicable laws and regulations of the country / region where the products are sold, the latter shall prevail.

This Warranty Does Not Cover

1. If users fail to adhere to the "Operating Instruction" or any "Warnings" stated in the user manual, resulting in a quality failure, it falls outside the scope of warranty coverage.
2. The product identification or SN label is removed or defaced in any way.
3. Product damage caused by problems not attributable to the quality of the products such as improper use of the products.
4. Product damage caused by unauthorized modification, disassembly, repair and other acts.
5. Product damage caused by fires, floods, lightning and other force majeure factors.

Warranty Mode

- For the products within the scope of warranty, SmallRig will repair or replace them on the basis of specific failures; the repaired / replaced products / parts are entitled to the remaining part of the original warranty period.

Contact Information

- You're advised to contact the online customer service personnel of corresponding shopping platform and submit a repair service application.
- You may also apply for repair service through SmallRig's service email.

Service Email: support@smallrig.com

Guarantee Card

ID No.	
Item Name	
Purchase Date	
User Name	
Mobile	
Address	
Receipt	

EC	REP	Prolinx GmbH Brehmstr.56,40239 Duesseldorf Germany eu@eulinx.eu
----	-----	---

UK	REP	Prolinx Global LTD 27 Old Gloucester Street London,WC1N3AX, UK eu@eulinx.eu
----	-----	---

Manufacturer: Shenzhen Leqi Innovation Co., Ltd.
Add: Rooms 103, 501 and 601, Building 5, Fenghe Industrial Park, Nos.
1301-50 Guanguang Road, Longhua District, Shenzhen, Guangdong, China.

Consignor: Shenzhen LC Co., Ltd.
Add: Rooms 602, Building 5, Fenghe Industrial Park, No. 1301-50 Guanguang
Road, Xinlan Community, Guanlan Street, Longhua District, Shenzhen,
Guangdong, China.

CE RoHS FC



Made in China



WE ARE HERE FOR YOU
服务与支持

ETICHETTATURA AMBIENTALE
ENVIRONMENTAL LABELING

感谢您选择 SmallRig Forevala系列 S20 机顶麦克风!

SmallRig Forevala 系列 S20 机顶麦克风 内置了心形麦克风，并提供了立体声录制模式，您可以通过S20机顶麦克风帮你捕捉高还原度、高临场感的声音！这不是幻觉，这是一场声音的盛宴，你将“声”临其境！

快速了解您的新机顶麦克风!

内置式
心形驻极体
麦克风

③

④

单声道 / 立体声按键

②

3.5mm
输入接口

①

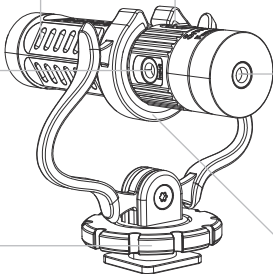
3.5mm
输出接口

⑤

支架底座

⑥

减震支架



3.5mm TRS 输出接口：通过此接口，将 S20 连接到您的录音设备如单反相机 / 摄像机 / 手机，S20 将为您的录音设备进行拾音。

3.5mm TRS 输入接口：通过此接口，将外接麦克风（如附送的领夹麦克风）连接到 S20，两个麦克风可以配合立体声模式切换功能，满足立体声录制以及声音的后期处理编辑需求。

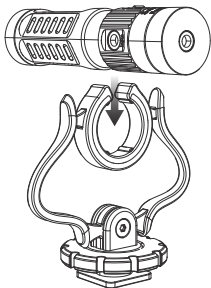
内置式心形驻极体麦克风：心形驻极体麦克风具有超强降噪 / 回声降低等功能，协助你捕捉更多声音细节。

单声道 / 立体声按键：通过滑动“M” / “S” 按键，快速切换到“单声道” / “立体声” 录制模式。

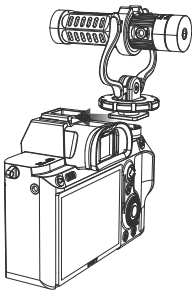
支架底座：带锁紧旋钮，可固定并快速拆装减震支架。该支架底座适用于相机热靴接口，或者带 1/4" 螺纹接口的支架。

减震支架：用于放置并固定 S20，起到减震和过滤噪音作用。

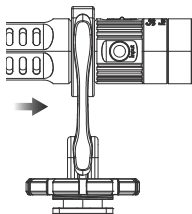
操作说明



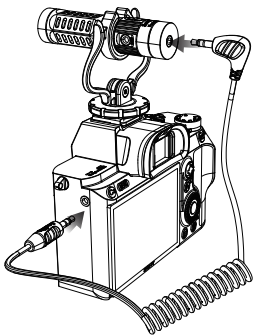
1. 将S20机顶麦克风固定在减震支架上。



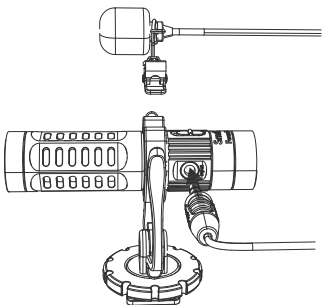
2. 将减震支架底座固定到单反 / 摄像机的热靴接口或者带1/4"螺纹接口的手持支架 / 三角支架上。



3.根据摄录场景的需求，把防风毛衣或者防风海绵套在S20上可以有效降低风噪。



4.取出3.5mm TRS 音频线，连接S20的3.5mm麦克风输出接口、录制设备的3.5mm麦克风输入接口。



如果您想获得全面 / 专业的立体声效果，请将外置麦克风（如附赠的领夹麦克风）接入3.5mm麦克风输入接口，并将模式按键滑动至“S”，此时您可以进行立体声录制，更适用于录制可后期处理的立体声音频。

安装、连接注意事项：

A.如果您是使用单反/ 摄像机进行摄录，请使用不带有“for phone”标识的3.5mm连接线连接S20与单反/ 摄像机，如果是固定到单反的热靴接口，请转动锁紧旋钮，以确保底座与相机机身完全固定。

B.如果您是使用带3.5mm麦克风输入接口的手机 / 平板摄录，请使用带有“for phone”标识的3.5mm音频线进行连接。

C.如果您的手机没有3.5mm麦克风输入接口，请使用对应手机厂商提供的3.5mm转换线，先连接带“for phone”标识的3.5mm音频线，再连接手机的 lightning / type-C 接口。

包装清单

机顶麦克风	× 1
领夹麦克风	× 1
专利减震支架	× 1
海绵防风套	× 2
防风毛套	× 1
3.5mm 相机连接线	× 1
3.5mm 智能手机连接线	× 1
贴纸套装	× 1
收纳袋	× 1
操作指引	× 1

常见问题

Q1: 是否兼容多种摄录设备？

A1: 当然！S20 非常适用于带3.5mm 麦克风输入接口的设备，如 单反 / 摄像机 / 便携式录像机 / Windows或者Mac系统电脑 / 手机 / 笔记本电脑。您可以选择TRS相机电缆来连接单反/摄像机 / 便携式录像机 / Windows或者Mac系统电脑。或者您可以选择 TRRS 电话线连接 手机 / 笔记本电脑。对于iPhone7或者更新一代的iPhone，请先将附带的 3.5mm TRRS手机音频线，接苹果提供的lightning to 3.5mm转接线，再连接手机使用。

Q2: S20麦克风是录制立体声还是单声道？它是否能够让相机或者手机内置的麦克风也同时录音？

A2: 是的，它可以通过以下步骤去录制立体声

1. 将外置的麦克风插入“3.5mm麦克风输入”插孔。
- 2、将“M” / “S” 模式开关拨到“S” 即立体声。
3. 打开录制设备并开始录制立体声音轨。

此外S20在工作时，无法让相机或者手机内置的麦克风也同时录音。

Q3: 你认为这更适合视频博客、短剧和动作视频拍摄吗？

A3: 对于视频博客、短剧和动作视频拍摄，S20凭借心形指向性在拾音性能上面有着出色的降噪 / 抗回响体验。此外，它的双麦克风立体声模式也很适合短视频录制中的特定立体声需求场景。

参数配置

产品组成	机顶麦克风	领夹麦克风
产品尺寸	φ20 × 82mm	2m
产品材质	铝合金	TPE + PC
拾音模式	心型拾音	心型拾音
麦克风类型	电容麦克风	电容麦克风
灵敏度	-38 ± 3dB	-42 ± 3dB
频响范围	50Hz ~ 20kHz	50Hz ~ 20kHz
信噪比	70dB	65dB
输入接口	3.5mm	/
输出接口	3.5mm	3.5mm

注意事项

a.操作和储存条件:请将工具放置在远离火源的地方，特别是温度大于70°C或小于-10°C的地方。注意工作温度要求在0 ~ 45°C之间。请保存在干燥、清洁的地方，远离油、水或化学液体。这些措施将有助于延长设备的寿命，也有助于远离危险的情况。

b.儿童只能在成年人的指导下操作本设备，请不要让他们单独操作。

保修条款

请保留您的原始购买单据及保修卡,同时包含您的购买日期、产品序列号等,这些资料质保服务时均需要提供。

售后质保条款

SmallRig产品自下单付款之日起享有质保服务。

- 电子产品(除V口电池): 1年质保。
- V口电池: 2年质保。
- 非电子产品: 2年质保。

注:若销售地国家或地区的适用法律法规有冲突的,以销售地国家或地区有关质保期的法律法规为准。

质保无效说明

1. 当用户违反操作指引或用户手册中“重要提示”任何一条导致的质量失效,不在质保范围内。
2. 产品序列号标识已经被撕毁或无法辨识,不在质保范围。
3. 产品使用不当等非产品本身质量问题,而造成的产品损坏,不在质保范围。
4. 非官方指导的私自改装、拆解、维修等行为而造成的损坏,不在质保范围。
5. 因火灾、水灾、雷击等不可抗力造成的产品损坏,不在质保范围。

维修方式

·属于质保范围的,SmallRig根据产品具体的故障对产品进行维修或更换;维修后的产品/部件享受原有保修期的剩余时长。

联系方式

- 建议您优先前往相应购买平台联系在线客服,提出产品维修申请。
- 您也可以通过 SmallRig 服务邮箱申请维修服务。

服务邮箱: support@smallrig.com

保修卡

ID 编号	
产品名称	
购买日期	
用户姓名	
用户电话	
用户地址	
购买单据	

执行标准: GB 8898-2011

制造商: 深圳市乐其创新股份有限公司

地址: 中国广东省深圳市龙华区观澜街道新澜社区观光路 1301-50 号
丰和工业园厂房 5 栋 103、501、601

委托商: 深圳市乐长科技有限公司

地址: 中国广东省深圳市龙华区观澜街道新澜社区观光路 1301-50 号
丰和工业园厂房 5 栋 602



LQ-P303-18

中国制造



FREE YOUR DREAM