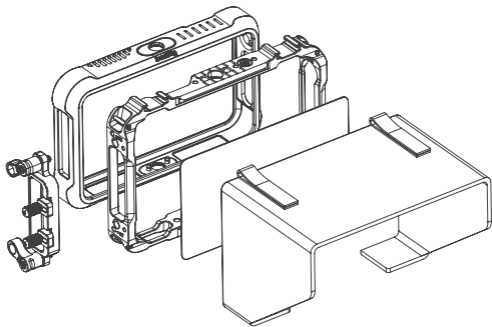


# SmallRig



## Cage Kit for Atomos Ninja Series Atomos Ninja 系列拓展框套件

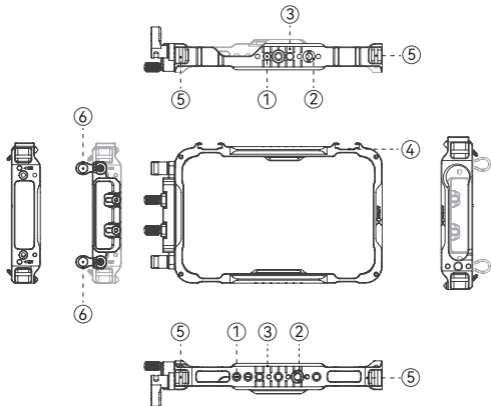
Operating Instruction / 操作指引

- Thank you for purchasing SmallRig's product.  
感谢您购买 SmallRig 产品。
- Please read this Operating Instruction carefully.  
使用本产品之前，请仔细阅读操作指引。
- Please follow the safety warnings.  
请注意所有警告提示并遵循使用操作指引的所有指令。

## In the Box / 包装清单

Cage	× 1	拓展框	× 1
HDMI & USB-C Cable Clamp	× 1	HDMI & USB-C 线夹	× 1
1/4"-20 Screws	× 2	1/4"-20 螺丝	× 2
M3 Screws	× 4	M3 螺丝	× 4
Allen Wrench	× 2	六角扳手	× 2
Sunhood	× 1	遮光罩	× 1
Silicon Case	× 1	硅胶套	× 1
Wipe	× 1	湿纸巾	× 1
Tissue	× 1	干纸巾	× 1
Dust cloth	× 1	防尘布	× 1
Dust Absorber	× 1	除尘贴	× 1
Anti-twist Locating Plate	× 2	防偏转定位片	× 2
Flat-Head Screwdriver	× 1	一字板手	× 1
Screen Protector	× 1	屏幕保护膜	× 1
Operating Instruction	× 1	操作指引	× 1
Guarantee Card	× 1	保修卡	× 1

## Cage Product Details / 拓展框产品介绍



① 1/4"-20 Threaded Hole  
1/4"-20 螺纹孔

② 1/4" to 3/8" Screw Adapter  
1/4"-3/8" 转换螺帽

③ NATO Rail  
滑条

④ Cold Shoe Mount  
冷靴

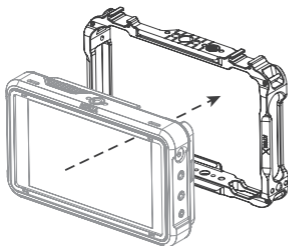
⑤ Strap Slot  
肩带 / 腕带接口

⑥ Fixed Knob  
固定旋钮

## Cage Installation / 拓展框安装步骤

Step1: Put the monitor into the cage from front to the back.

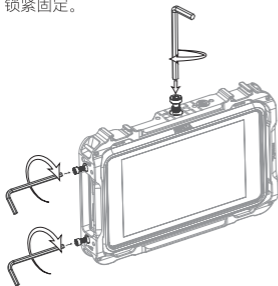
第一步：将监视器从前往后放入拓展框。



- \* The package does not include the monitor
- \* 监视器机身需另购

Step2: Securely fasten the monitor to the cage using two M3 screws on the left side and one 1/4"-20 screw on the top.

第二步：通过左侧两颗M3螺丝和顶部1/4"-20 螺丝将相机与拓展框锁紧固定。

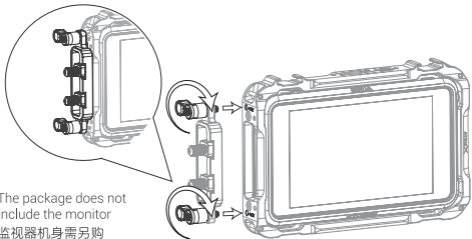


- \* The package does not include the monitor
- \* 监视器机身需另购

## HDMI & USB-C Cable Clamp Installation / 线夹安装步骤

Step1: Align the fixed knob with the M4 screw hole and tighten the fixed cable clamp.

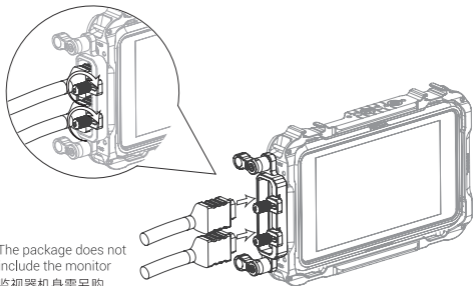
第一步：通过固定旋钮对准M4 螺丝孔锁紧固定线夹。



- \* The package does not include the monitor
- \* 监视器机身需另购

Step2: Insert the wire and tighten it with the thumbscrews.

第二步：插入线材，通过手拧螺丝锁紧固定线材。

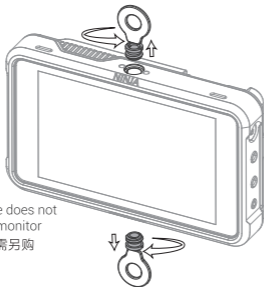


- \* The package does not include the monitor
- \* 监视器机身需另购

## Silicon Case Installation / 硅胶套安装步骤

Step1: Remove the 1/4"-3/8" screw adapter at the top and bottom of the monitor using flat-head screwdriver.

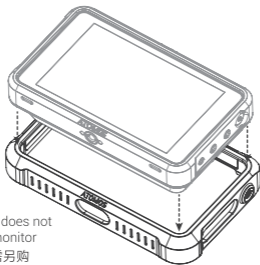
第一步：通过一字板手将监视器机身顶部及底部的 1/4"-3/8" 转换螺帽取下。



- \* The package does not include the monitor
- \* 监视器机身需另购

Step2: Place the silicone sleeve on the monitor.

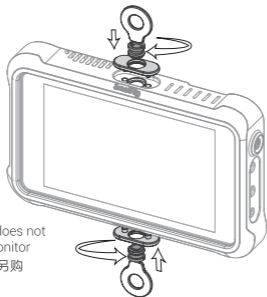
第二步：将硅胶套套在监视器上。



- \* The package does not include the monitor
- \* 监视器机身需另购

Step3: Insert the anti-skid locating plate, the 1/4" to 3/8" screw adapter, and secure it in place by tightening it with a flat-head wrench.

第三步：放入防偏转定位片、1/4"-3/8" 转换螺帽，通过一字扳手将其锁紧固定。



- \* The package does not include the monitor
- \* 监视器机身需另购

## Specifications / 产品参数

Compatibility 兼容性	Atomos Ninja V / Ninja V+ / Ninja / Ninja Ultra
Product Dimensions 产品尺寸	7.4 × 4.4 × 1.0in 187.8 × 110.8 × 26.1mm
Product Weight 产品重量	7.9 ± 0.2oz 225.0 ± 5.0g
Material (s) 主要材质	Aluminum Alloy, Stainless Steel, Nylon, Silica Gel, Tempered Glass 铝合金、不锈钢、尼龙、硅胶、钢化玻璃

执行标准: GB/T 26572-2011

**CE RoHS**



LQ-P1272-18



Made in China  
中国制造

