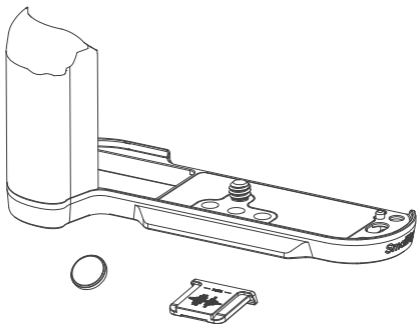


# SmallRig



FUJIFILM X-T50

L-Shape Mount Plate with Silicone Handle

富士 X-T50 硅胶 L型手柄

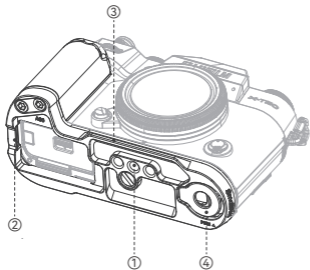
Operating Instruction / 操作指引

- Thank you for purchasing SmallRig's product.  
感谢您购买 SmallRig 产品。
- Please read this Operation Guide carefully.  
使用本产品之前，请仔细阅读操作指引。
- Please follow the safety warnings.  
请注意所有警告提示并遵循使用操作指引的所有指令。

## In the Box / 包装清单

L-shaped Grip	× 1	Shutter Release	× 1
L型手握		快门按钮	
Hot Shoe Cover	× 1	Guarantee Card	× 1
热靴盖		保修卡	

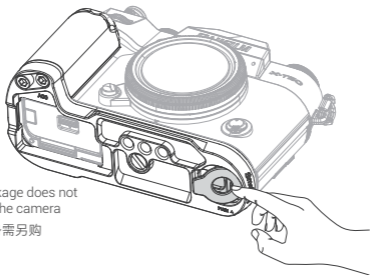
## Product Details / 产品介绍



- |  |                                 |
|--|---------------------------------|
| ① 1/4"-20 Threaded Hole<br>1/4"-20 螺纹孔   | ③ Arca-Swiss Plate<br>阿卡规格快装板   |
| ② Shoulder / Wrist Strap Slot<br>肩带/腕带接口 | ④ Flat-Head Screwdriver<br>一字扳手 |

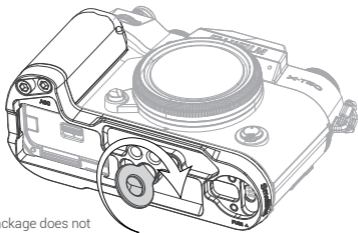
## L-shaped Grip Installation Instruction / L型手握安装步骤

1



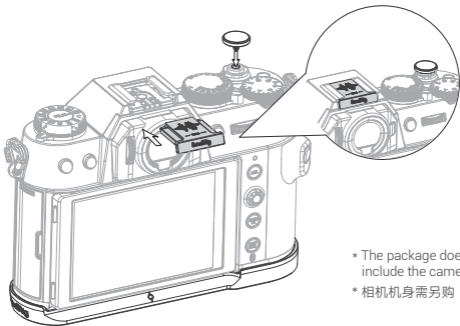
- \* The package does not include the camera
- \* 相机机身需另购

2



- \* The package does not include the camera
- \* 相机机身需另购

## Hot Shoe Cover and Shutter Release Button Installation Instruction / 热靴盖和快门按钮安装步骤



- \* The package does not include the camera
- \* 相机机身需另购

### Product Parameters / 产品参数

Compatibility 兼容性	FUJIFILM X-T50 富士 X-T50
Material (s) 主要材质	Aluminum Alloy, Silicone 铝合金、硅胶

Manufacturer: Shenzhen Leqi Innovation Co., Ltd.

制造商: 深圳市乐其创新股份有限公司

Add: Rooms 103, 501 and 601, Building 5, Fenghe Industrial Park, Nos. 1301-50  
Guanguang Road, Longhua District, Shenzhen, Guangdong, China.

地址: 中国广东省深圳市龙华区观澜街道新澜社区观光路1301-50号丰和工业园厂房  
5 栋 103、501、601

Consignor: Shenzhen LC Co., Ltd.

委托商: 深圳市乐长科技有限公司

Add: Rooms 602, Building 5, Fenghe Industrial Park, No. 1301-50 Guanguang Road,  
Xinlan Community, Guanlan Street, Longhua District, Shenzhen, Guangdong, China.

地址: 中国广东省深圳市龙华区观澜街道新澜社区观光路1301-50号丰和工业园厂房  
5 栋 602

执行标准: GB/T 26572-2011

**CE RoHS**



Made in China

中国制造

