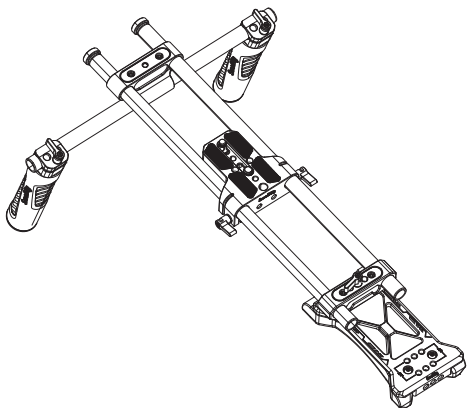


SmallRig



Basic Shoulder Rig Kit

User Manual

Thank you for purchasing SmallRig's product.

Warnings

- Please read this User Manual carefully.
- Please keep the User Manual properly, and be sure to attach this User Manual when handing over the product to others.
- Please heed all warnings and follow all instructions in the owner's manual.

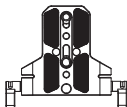
In the Box



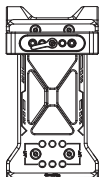
① Handle × 2



② Handle Connector × 1



④ Bottom Mount Plate with
Dual 15mm Rod Clamp × 1



③ Shoulder Pad × 1



⑤ 15mm Rod (400mm) × 2



⑥ 15mm Rod (300mm) × 1



⑦ 15mm Rod Cap × 2

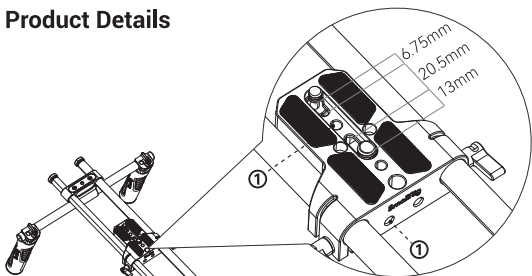


⑧ 1/4"-20 Screw × 2

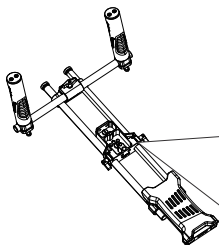
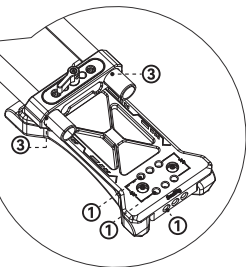


⑨ Allen Wrench × 2

Product Details

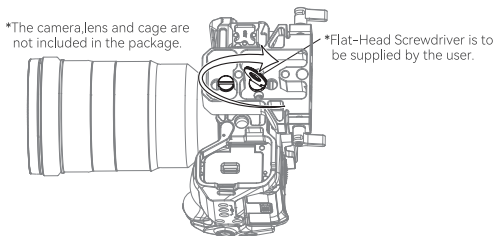


- ① 1/4"-20 Threaded Hole
- ② 3/8"-16 Threaded Hole
- ③ 15mm Rod Clamp



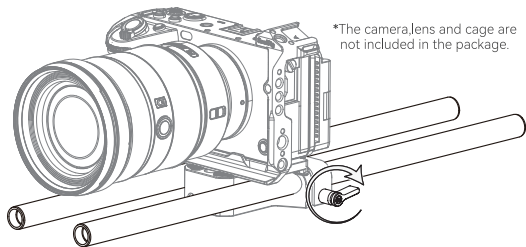
Installation Introduction

① Attach the Bottom Mount Plate to the bottom of the camera or cage and lock the 1/4"-20 screws or 1/4"-20 screw and 3/8"-16 screw with the Flat-Head Screwdriver.



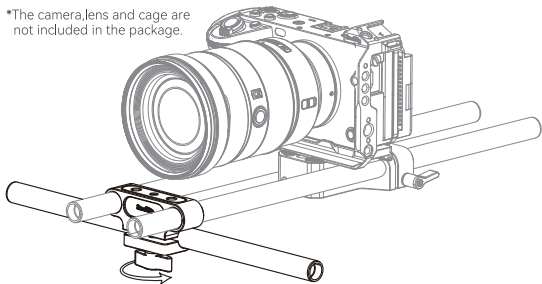
② Slide the two 15mm rods (400mm) onto the 15mm rod clamp on the Bottom Mount Plate and lock them in place with the knobs.

* If you need to install follow focus or other accessories on the 15mm rods, it is recommended that you do so in this step.



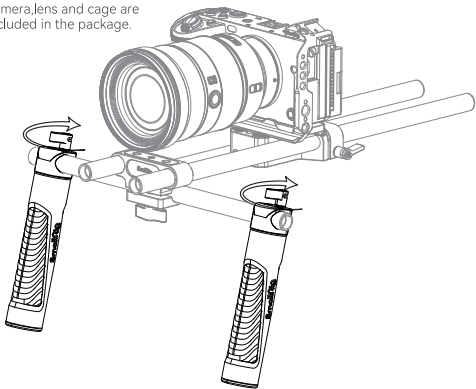
③ Loosen the Handle Connector knob and slide the connector onto the lens end of the 15mm rod (400mm), then slide the 15mm rod (300mm) horizontally onto the connector, locking the three 15mm rods with the knob.

*The camera, lens and cage are not included in the package.

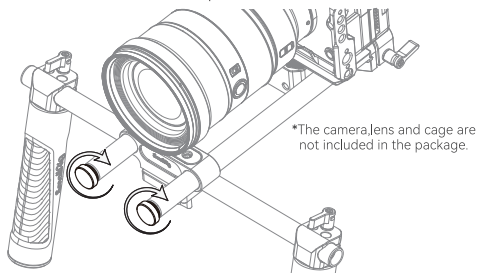


④ Slide the handles into both sides of the 15mm rod (300mm) and lock them in place with the knobs.

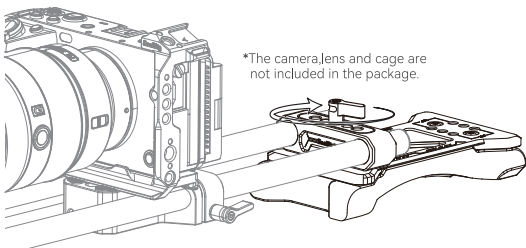
*The camera, lens and cage are not included in the package.



- ⑤ Thread the 15mm Rod Cap onto the front of the 15mm Rod (400mm).



- ⑥ Loosen the Shoulder Pad knob and slide the Shoulder Pad onto the 15mm rod (400mm) at the end of the camera, locking it by the knob.



Specifications

Compatibility:	Universal
Product Dimensions:	510.0 × 300.0 × 180.0mm
Product Weight:	1260g ± 5.0g
Material(s):	Aluminum Alloy, Stainless Steel, Silicone, EVA