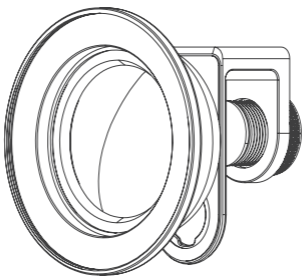


SmallRig



75mm Macro Lens for Mobile Phone
75mm 长焦微距手机外接镜头

Operating Instruction / 操作指引

- Thank you for purchasing SmallRig's product.
感谢您购买 SmallRig 产品。
- Please read this Operating Instruction carefully.
使用本产品之前，请仔细阅读操作指引。
- Please follow the safety warnings.
请注意所有警告提示并遵循使用操作指引的所有指令。

Warnings / 重要提示

1. Not suitable for lenses with a shooting angle $> 85^\circ$, such as the common ultra-wide lenses for smartphone cameras.

不适用于拍摄角度 $> 85^\circ$ 的镜头，例如手机镜头中所标注的超广角镜头。

2. Only compatible with devices with a T-mount interface.

(Works with M brand T-mount, not Fotorgear).

只适用于接T卡口的设备（适配于M品牌T卡口，不适配于Fotorgear品牌T卡口）。

3. The hole of the lens clip must be aligned with the lens, any misalignment may result in vignetting.

镜头夹的孔位务必对准镜头，如有偏移会导致暗角。

4. Prevent the lens from scratching, which will affect the image quality.

镜片注意防止刮花，否则会影响拍摄画质。

5. Keep away from strong acid liquids.

远离强酸液体。

In the Box / 包装清单

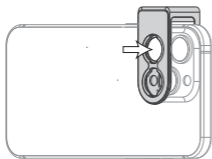
Anamorphic Lens 手机镜头	× 1	Storage Bag 镜头收纳袋	× 1
Lens Clip 手机镜头夹	× 1	Storage Box 镜头收纳包	× 1
Silicone Lens Cap 硅胶镜头保护盖	× 1	Operating Instruction 操作指引	× 1
Lens Cleaning Cloth 镜头清洁布	× 1		

Installation Instruction / 安装步骤

① Install with the included lens clip

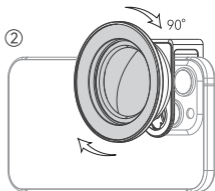
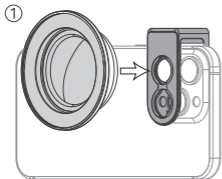
配合自带镜头夹

1. Attach the lens clip to the phone lens and align it with the main camera lens.
将镜头夹安装在手机镜头处，对准主摄像头。



2. Align the lens with the mounting clip and insert it into the slot, then twist clockwise 90° to secure.

将镜头对准镜头夹安装卡口放入，顺时针旋转90°卡紧。

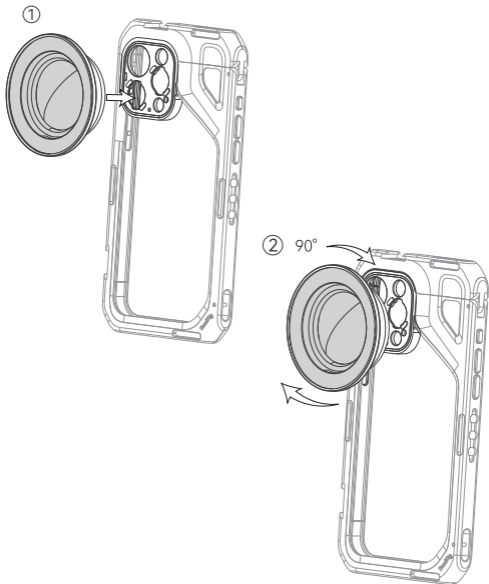


② Install with the phone cage or case with T-mount

配合带T卡口的拓展框或手机壳

1. Align the lens with the slot on the phone's main camera lens, insert it, then twist clockwise 90° to secure.

将镜头对准手机主摄镜头的卡口放入，顺时针旋转90°卡紧即可使用。



③ Using filters / 使用滤镜

The lens has a 67mm female thread on the front of the lens, allowing direct use of the same diameter threaded filters or filter adapters.

镜头前端有67mm内螺纹，可直接使用相同直径的螺纹滤镜或滤镜转接环。

④ Using filters / 镜头使用技巧

1. On the basis of the original camera lens, this product has changed the focal length of the main camera lens to 75mm, which not only retains the high image quality of the main camera shot, but also changes the characteristics of high distortion and large depth of field of the pictures taken by the main camera, and takes macro pictures comparable to professional cameras.

本品在原相机镜头的基础上改变了主摄镜头的焦距至75mm，既保留了主摄镜头拍摄的高画质，也改变了主摄镜头拍摄图片高畸变、大景深的特质，拍出可媲美专业相机的微距图片。

2. This product is a fixed focal length lens, and the focal length cannot be changed. To capture sharp macro images, precise adjustment of the focus distance is essential. Additionally, using accessories like tripods, sliders, and camera handles can also help stabilize the shots.

本品为定焦镜头，无法变化焦距。微距照片的清晰焦点范围很小，为了拍摄到清晰的微距照片，除了精准的调节对焦距离以外，借助于三脚架、滑轨、拍照手柄等辅助工具也可以辅助稳定拍摄。

3. This product can be used with both the main camera lens and telephoto lens. Before shooting, please disable the macro shooting function on your phone to prevent automatic activation of the macro lens, which could disrupt the shot.

本品可在主摄镜头和长焦镜头上使用，在拍摄前请关闭手机的微距拍摄功能，以防止手机自动调取微距镜头干扰拍摄画面。

Specifications / 产品参数

Angle (Diagonal) 角度 (对角线)	36°
Magnification 倍率	1:3
Distortion 畸变	-1°
Minimum Focusing Distance 最近对焦距离	1.6 - 2.7in 40-70mm
Mount Type 卡口类型	Standard T-mount 标准T卡口
Optical Structure 光学结构	3 Pieces of HD Optical Glass 3片高清光学玻璃
Coating Specifications 镀膜规格	Multi-layer Anti-reflection Broadband 多层增透宽带