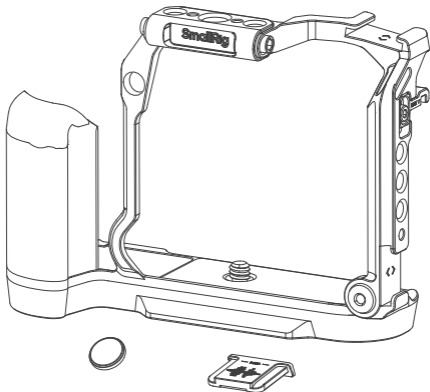


SmallRig



“Retro” Cage for FUJIFILM X-T50

富士 X-T50 “时光机” 相机拓展框

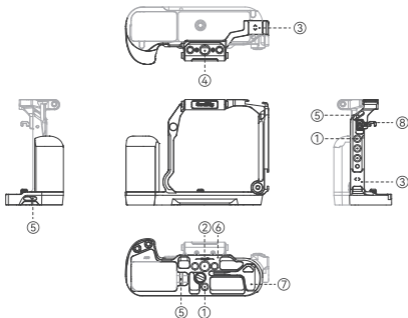
Operating Instruction / 操作指引

- Thank you for purchasing SmallRig's product.
感谢您购买 SmallRig 产品。
- Please read this Operation Guide carefully. Please follow the safety warnings.
使用本产品之前，请仔细阅读操作指引，请注意所有警告提示并遵循使用操作指引的所有指令。

In the Box / 包装清单

Cage 拓展框	× 1	Operating Instruction 操作指引	× 1
Shutter Release Button 快门按钮	× 1	Guarantee Card 保修卡	× 1
Hot Shoe Cover 热靴盖	× 1		

Product Details / 产品介绍

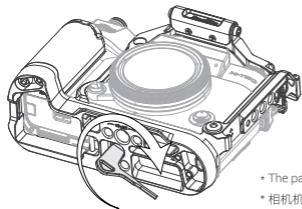


- | | | |
|--|--|-------------------------------|
| ① 1/4"-20 Threaded Hole
1/4"-20 螺纹孔 | ② 3/8"-16 Threaded Hole
3/8"-16 螺纹孔 | ③ Cold Shoe Mount
冷靴 |
| ④ ARRI 3/8"-16 Locating Hole
阿莱定位孔 | ⑤ Strap Slot
肩带 / 腕带接口 | ⑥ Arca-Swiss Plate
阿卡规格快装板 |
| ⑦ Dual Head Wrench
双头扳手 | ⑧ Side Lock Adapter
定位压块 | |

Cage Installation / 拓展框安装步骤

Step1: Install the camera into the cage from behind and lock the cage by tightening the 1/4"-20 screw with a dual head wrench.

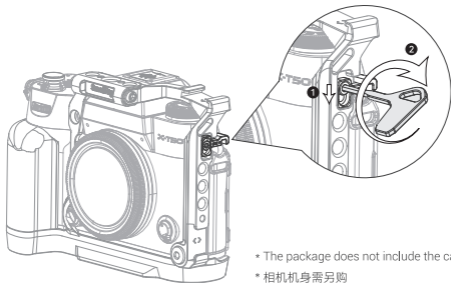
第一步：将相机从后往前放入拓展框，通过1/4"-20 螺丝将相机与拓展框锁紧固定。



- * The package does not include the camera
- * 相机机身需另购

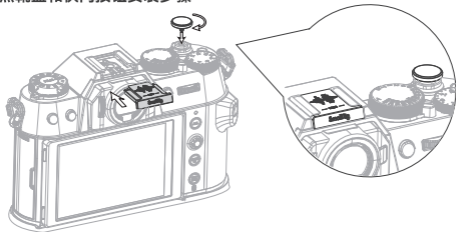
Step2: Loosen the screw, push down the side lock adaptor until the camera shoulder strap hole is fixed, then tighten the screw.

第二步：拧松螺丝，向下推定位压块直到固定住相机肩带环，锁紧螺丝。



- * The package does not include the camera
- * 相机机身需另购

Hot Shoe Cover and Shutter Release Button Installation Instruction 热靴盖和快门按钮安装步骤



* The package does not include the camera

* 相机机身需另购

Specifications / 产品参数

Compatibility 适配性	FUJIFILM X-T50 富士 X-T50
Product Dimensions 产品尺寸	5.2 × 2.1 × 3.8in 132.0 × 53.1 × 97.5mm
Product Weight 产品重量	4.8 ± 0.2oz 135.0 ± 5g
Material (s) 主要材质	Aluminum Alloy, wood 铝合金、木头

执行标准: GB/T 26572-2011

www.smallrig.com

CE RoHS



LQ-P1292-18

Made in China

中国制造

