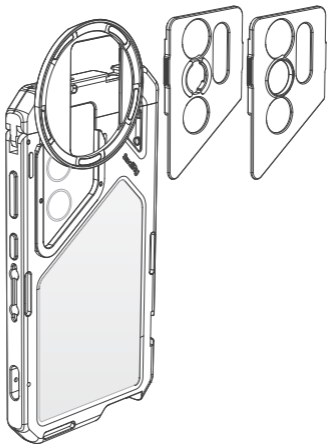


# SmallRig



Mobile Video Cage for Samsung S24 Ultra

三星 S24 Ultra 专用拓展框

Operating Instruction / 操作指引

- Thank you for purchasing SmallRig's product.  
感谢您购买 SmallRig 产品。
- Please read this Operating Instruction carefully.  
使用本产品之前，请仔细阅读操作指引。
- Please follow the safety warnings.  
请注意所有警告提示并遵循使用操作指引的所有指令。

## Introduction / 产品简介

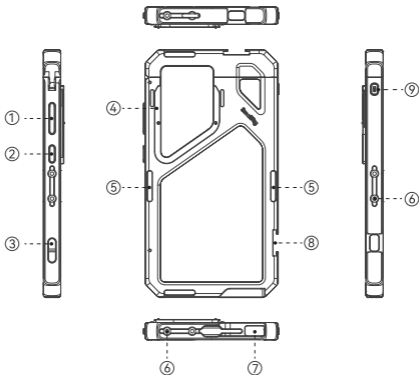
Welcome to the all-new SmallRig Mobile Video Cage for Samsung Galaxy S24 Ultra, which provides a professional and convenient solution for Galaxy S24 Ultra users to shoot video and live broadcasts. The cage is exclusively designed for the Galaxy S24 Ultra, which does not affect the phone's buttons when shooting, and provides a tight fit for the mobile phone with all-round security protection. With the cold shoe mounts and 1/4"-20 threaded holes on the frame, the cage allows you to easily attach the lights, microphone, tripod, side handle, top handle, and other equipment when shooting on mobile phones. When connecting with the side handle/ top handle/ tripod, this cage is not only compatible with conventional products attached by 1/4"-20 screw but also supports SmallRig's new Quick Release Ecosystem, which is convenient, fast, stable, and efficient. The cage also offers users a variety of solutions for lens and filter mounting, allowing for connection to T-Mount lenses, 17mm threaded lenses, 67mm filters by installing different backplate.

欢迎使用全新SmallRig 三星 Galaxy S24 Ultra 专用拓展框，本品为Galaxy S24 Ultra用户视频拍摄和直播提供专业且便捷的解决方案。该拓展框为 Galaxy S24 Ultra 专属设计，拍摄时不影响手机按键使用，且能为手机提供紧密贴合的全方位安全保护。通过框体上的冷靴口和1/4"-20 螺纹孔，拓展框在手机拍摄时可支持拓展灯光、麦克风、三脚架、侧手柄、上手提等设备，搭建手持拍摄或三脚架稳定拍摄的场景。在拓展手柄/上手提/三脚架时，本品不仅可兼容常规1/4"-20 螺丝连接的手柄/上手提/三脚架，也支持 SmallRig 全新的快拆生态系统，方便快捷，稳固高效。本产品也为用户提供了丰富的镜头和滤镜挂载的解决方案，可通过安装不同的背板来连接T卡口镜头、17mm 螺纹镜头、67mm 滤镜或37mm 螺纹镜头（需另购）。

## In the Box / 包装清单

Cage	× 1	拓展框	× 1
T-Mount Lens Backplate	× 1	T卡口镜头背板	× 1
17mm Threaded Lens Backplate	× 1	17mm 螺纹镜头背板	× 1
Attachable Filter Adapter 67mm	× 1	67mm 磁吸滤镜转接环	× 1
Operating Instruction	× 1	操作指引	× 1
Guarantee Card	× 1	保修卡	× 1

## Product Details / 产品介绍



① Volume Button  
音量键

④ Backplate Slot  
背板安装滑槽

⑦ S Pen Hole  
S Pen 孔位

② Screen Lock / Unlock  
锁屏键

⑤ Quick Release Slot  
快拆卡槽

⑧ Cold Shoe Mount  
冷靴口

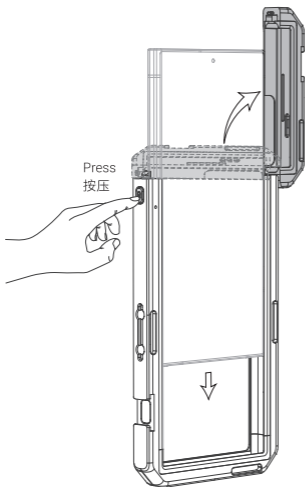
③ Wristband Hole  
腕带孔

⑥ 1/4"-20 Threaded Hole  
1/4"-20 螺纹孔

⑨ Lock / Unlock Button  
解锁按钮

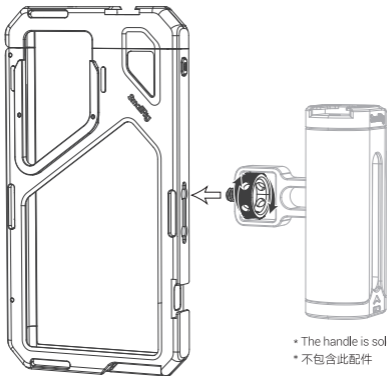
## Usage / 功能说明

1. **Mount the Phone:** Press the unlock button on the left side of the cage, open the cage, and slowly slide the phone into the cage. Then close and press until you hear a "click" sound, indicating that the upper and lower parts are locked.
1. **装载手机:** 按压解锁按钮，打开拓展框上盖，将手机缓慢滑入拓展框主体。随后合上并按压拓展框上盖直至听见“咔哒”声，表明拓展框上下盖已锁止。



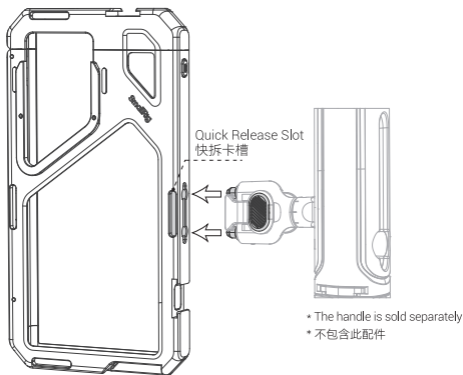
2. **Advanced functions:** There are multiple standard 1/4"-20 threaded holes on each side of the cage for extending side handles, top handles, and tripods with 1/4"-20 screws. There are two standard Cold Shoe Mounts on the cage, which can be used to attach the light, microphone, and other equipment with the cold shoe.

2. **拓展功能:** 在拓展框四边框体上分别有标准1/4"-20 螺纹孔, 用于拓展以 1/4"-20 连接的侧手柄、上手提和三脚架。拓展框有2个标准冷靴口, 用于拓展以冷靴连接的补光灯、麦克风等设备。



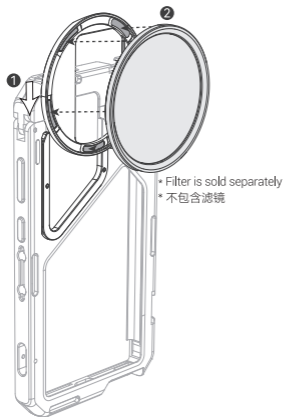
- The handle is sold separately
- 不包含此配件

3. **Quick Release:** There is a Quick Release Slot on each of the four sides of the cage frame. The Quick Release Slot interfaces with the 1/4"-20 threaded holes on the cage, expanding SmallRig's unique Quick Release Ecosystem.
3. **快拆拓展:** 在拓展框四边框体上分别有1个快拆卡槽，卡槽与框体上的1/4"-20 螺纹孔相互配合，可拓展SmallRig独有的快拆生态系统。
- **Quick Release Lock:** As shown below, align the Locating Pins on the Quick Release Adapter with the upper and lower 1/4"-20 threaded holes on the cage, and press the side handle (Note: No need to press the Unlock Button simultaneously). There will be a "click" sound, indicating that the side handle has been successfully locked into the cage.
  - **快拆锁定:** 将快拆转接头上的定位柱对准拓展框上的上下两个1/4"-20 螺纹孔，侧向按压侧手柄（注意：无需按住解锁按钮）直至快拆锁扣发出“咔哒”声，表明锁扣已成功锁入快拆卡槽。



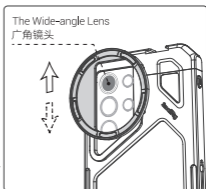
**4. Install Filters:** Install the filter adapter on the backplate slot to use external filters. There are 2 stops on the backplate slot to ensure no vignetting during shooting. Slide the backplate to stop 1 when using the wide-angle lens, slide the backplane to stop 2 when using telephoto lens.

**4. 安装滤镜：**在拓展框镜头背板上安装滤镜转接背板，即可使用外接滤镜。使用滤镜背板时可根据拍摄需要调整背板位置以保证拍摄时不产生暗角，使用广角镜头进行拍摄时，请将背板滑动并停留在卡位1的位置，使用长焦镜头进行拍摄时，请将背板滑动并停留在卡位2的位置。



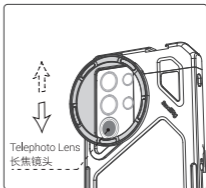
#### Stop 1 (档位 1)

No vignetting in wide angle lens  
广角镜头无暗角



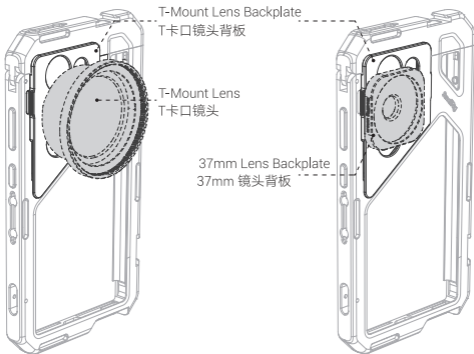
#### Stop 2 (档位 2)

No vignetting in telephoto lens  
长焦镜头无暗角



**5. Attach an External Lens:** The backplate slot on the back of the cage allows users to attach the external lens while shooting with the mobile phone. Attaching external lenses of different sizes can be achieved by replacing the lens backplate or adding adapters. At present, the SmallRig Galaxy S24 Ultra cage supports T-mount lenses, 17mm diameter threaded lenses and 37mm diameter threaded lenses. The cage comes standard with a T-mount backplate and 17mm threaded lens backplate, 37mm threaded lens adapter needs to be purchased separately.

**5. 安装外接镜头：**通过拓展框背部的镜头背板，可在手机拍摄时拓展外接镜头。连接不同规格的外接镜头可通过替换镜头背板，或增加转接件实现。目前SmallRig Galaxy S24 Ultra的拓展框支持外接T-卡口镜头、17mm 螺纹镜头和37mm 螺纹镜头。拓展框标配T-卡口镜头背板及17mm 螺纹镜头背板，37mm 镜头转接板需单独选购。

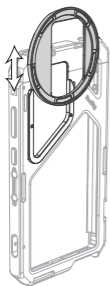


Install T-mount Lens  
(lens is sold separately)  
安装T卡口镜头（镜头需另购）

Using 37mm Backplane  
(backplate and lens is sold separately)  
使用37mm 镜头背板  
(背板和镜头需另购)



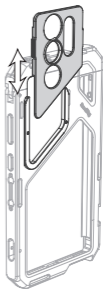
6. **Replace the Lens Panel or Filter Adapter:** Align the lens backplate or filter adapter with the backplate slot at the back of the cage, slide the backplate along the mounting groove until you hear a "click" sound, indicating the backplate is securely in place. Proceed to install the lens or filter for shooting. To remove the backplate, gently push it in the opposite direction from the bottom of the backplate along the mounting groove, then continue sliding to detach the backplate. For replacing the backplate, follow the above installation process to remove the existing backplate and slide in the replacement backplate into the mounting groove.
6. **安装及替换镜头背板或滤镜转接板：**将镜头背板或滤镜背板对齐拓展框背部的安装槽，沿安装槽方向划入背板直至听到“咔哒”声，即为背板安装入位，继续安装镜头或滤镜即可进行拍摄。如需取下背板，可从背板底部顺延安装槽反方向轻推，然后继续滑动取下背板。如需更换的镜头或滤镜背板，可按照上述安装方式取下原有背板，并将需更换的背板滑入拓展框安装槽即可。



67mm Attachable  
Filter Adapter  
67mm 磁吸滤镜背板



T-Mount Lens  
Backplate  
T卡口镜头背板



17mm Mount Lens  
Backplate  
17mm 螺纹镜头背板

**Note:** The T-Mount backplate is only compatible with M brand T-Mount lenses and is not compatible with FotorGear series lenses.

**备注：**T卡口背板只兼容M品牌T卡口镜头，不兼容FotorGear系列镜头产品。

执行标准: GB/T 26572-2011

**CE RoHS**



[www.smallrig.com](http://www.smallrig.com)



LQ-P1275-18

Made in China

中国制造

