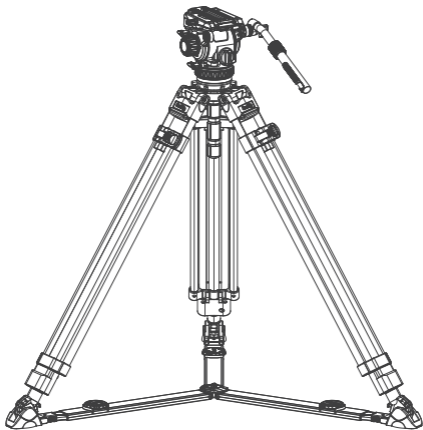


SmallRig



Heavy-Duty Carbon Fiber Tripod Kit AD-120

无极阻尼动平衡云台三脚架套件AD-120

Operating Instruction / 操作指引

- Thank you for purchasing SmallRig's product.
感谢您购买 SmallRig 产品。
- Please read this Operation Guide carefully.
使用本产品之前，请仔细阅读操作指引。
- Please follow the safety warnings.
请注意所有警告提示并遵循使用操作指引的所有指令。

Warnings / 重要提示

- ! **WARNING** Risk of finger entrapment. Do not place fingers between the platform and the body of the fluid head.
 - ! **WARNING** Do not fit a head to a tripod that cannot support the combined mass of the head and its full payload.
 - ! **WARNING** Avoid unintentionally lifting the Knob / Lever above the detent as the head will be released suddenly from the tripod.
 - ! **WARNING** Always lock the Tilt Locking Knob and Pan Locking Knob when the
 - ! **WARNING** mounted but not in use or when levelling the fluid head on the tripod.
 - ! **WARNING** Hold the camera securely when mounting or dismounting from the fluid head and when making adjustments to the tripod height or footprint.
 - ! **WARNING** Always hold the pan bar when making adjustments to the counterbalance or camera position. Do not use the pan bar to lift or move the tripod and fluid head.
 - ! **WARNING** Do not attach heavy items to the pan bar.
 - ! **WARNING** Always remove the camera before transporting.
-

警告! 夹点、手指或手受伤，小心操作。

警告! 请勿将云台安装到无法支撑云台及其全部有效负载的总重量的三脚架上。

警告! 夹住手指的风险。不要将手指放在平台和液压云台之间。

警告! 当相机已安装但未使用时或调平三脚架上的液压云台时，请始终锁定俯仰和水平角度锁紧旋钮。

警告! 在安装或拆卸液压云台以及调整三脚架高度或占地面积时，请牢牢握住相机。

警告! 调整平衡或摄像机位置时，请始终握住摇摄手柄。请勿使用摇摄手柄抬起或移动三脚架和液压云台。

警告! 请勿在摇摄杆上安装重物。

警告! 运输前务必取下相机。

In the Box / 包装清单

Tripod Kit	× 1	Carrying Bag	× 1
Mid-level Spreader for Tripod	× 1	Smartphone Holder	× 1
Ground Spreader for Tripod	× 1	Operating Instruction	× 1
Allen Wrench	× 1	Guarantee Card	× 1

三脚架套件	× 1	收纳包	× 1
三脚架快拆中置连接器	× 1	手机夹	× 1
三脚架快拆地置连接器	× 1	操作指引	× 1
六角扳手	× 1	保修卡	× 1

Product Details / 产品介绍

Detachable Pan Bar
摇摄手柄

Pan Bar Locking Knob
摇摄手柄锁定旋钮

Quick Release Plate
(QR Plate) 快装板

QR Plate Safety Button
快装板释放安全锁

Tilt Locking Knob
俯仰角度锁紧旋钮

Tilt Drag Control
俯仰阻尼调节盘

Pan Locking Knob
水平角度锁紧旋钮

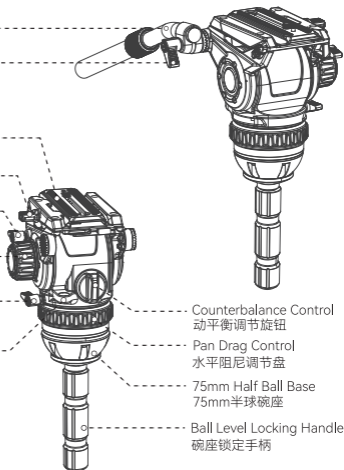
Bubble Level
水平仪

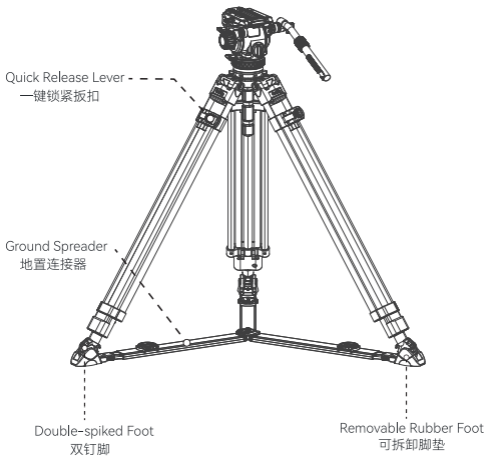
Counterbalance Control
动平衡调节旋钮

Pan Drag Control
水平阻尼调节盘

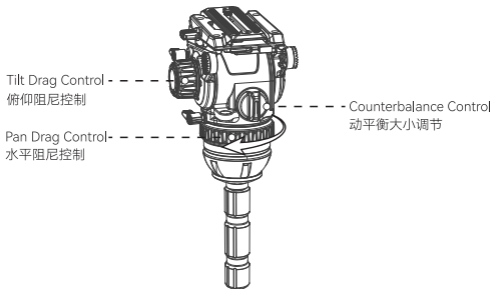
75mm Half Ball Base
75mm半球碗座

Ball Level Locking Handle
碗座锁定手柄





Tilt & Pan Drag Settings and Counterbalance Control 俯仰水平阻尼调节与动平衡调节

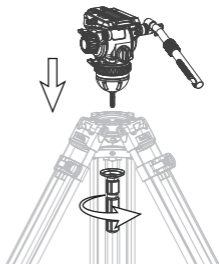


Installing the Head

Place the ball of the head into the bowl of the tripod. Level the head via the bubble level and secure the ball locking handle onto the bottom of the head on the underside of the tripod bowl

安装液压云台

将云台的球体放入三脚架的碗中。通过气泡水平仪将云台调平，并将球体锁定手柄固定在三脚架碗底的云台底部。



Removing the Head

拆卸云台

Lock the pan locking lever, then grasp the pan bar and twist the head counterclockwise

拧紧水平锁紧旋钮，然后握住把手，逆时针旋转云台直至脱落。

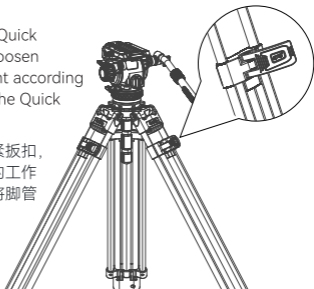


Extending Tripod Legs

三脚架设置

Lift the leg and flip the Quick Release Lever open to loosen the leg. Adjust the height according to your needs and lock the Quick Release Lever

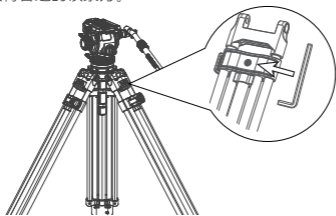
抬起脚管，松开一键锁紧扳扣，将管脚高度调整到理想的工作状态，然后锁紧扳扣，将脚管锁紧，即可使用。



Adjusting the Locking Force

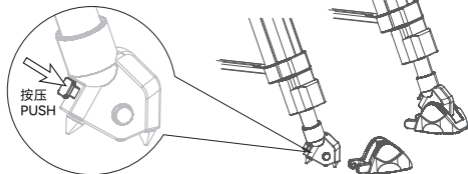
调整锁紧力

If the leg extensions slip even after locking the Quick Release Lever, adjust the locking force. To do this, first release the Quick Release Lever, then use the Allen Wrench to tighten the screw clockwise. Usually, just half a turn is enough to achieve the correct locking tension. 拨扣在锁紧状态下，脚管仍然出现滑动，则需要调节拨扣锁紧力。拨开拨扣后，使用随附的扳手顺时针拧动图中的螺丝。通常旋转半圈便可获得合适的锁紧力。



Twin Spiked Feet / 双钉脚

Push the button and remove the rubber bumper to use your tripod with the metal spikes. 要使用脚钉，请按下按钮，取下橡胶脚垫即可。



Specifications / 产品参数

Product Dimensions	990.0 × 165.0 × 165.0mm / 39.0 × 6.5 × 6.5in
Product Weight	6.0 ± 0.1kg / 13.2 ± 0.2lb
Operating Altitude	58cm ~ 197cm / 22.8 ~ 77.5in
Maximum Height	197cm / 77.5in
Minimum Height	58cm / 22.8in
Closed Length	97cm / 38.2in
Bowl Adapter Diameter	75mm / 2.9in
Tilt Range	+90° / -65°
Counterbalance Payload	1.0 ~ 8.0kg / 2.2 ~ 17.6lb
Counterbalance	6-Step (1, 2, 3, 4, 5, 6)
Tilt Control	Continuously Adjustable
Pan Control	Continuously Adjustable
Load-Bearing Capacity	8.0kg / 17.6lb
Handle Length	35.0 ~ 53.0cm / 13.8 ~ 20.9in
Material(s)	Carbon Fiber, Aluminum Alloy, POM, Stainless Steel, Silicone

产品尺寸	990.0 × 165.0 × 165.0mm
产品重量	6.0 ± 0.1kg
工作高度范围	58cm ~ 197cm
最高高度	197cm
最低高度	58cm
收纳长度	97cm
碗座规格	75mm
俯/仰角度	+90° / -65°
动平衡反弹力	1.0 ~ 8.0kg
动平衡档位	6档 (1, 2, 3, 4, 5, 6)
俯仰阻尼档位	无极调节
水平阻尼档位	无极调节

最大承重	8.0kg / 17.6lb
手柄长度	35.0 ~ 53.0cm / 13.8 ~ 20.9in
主要材料	碳纤维、铝合金、ABS、不锈钢、硅胶

To counterbalance your fluid head:

- Attach the QR plate to the camera and level the fluid head
- Set the pan and tilt drag to zero and lock them. Set the counterbalance to the lowest level
- Mount the camera on the platform, determine the position of the balance point, and align its center of gravity with the center of the fluid head
- Carefully unlock the tilt lock and ensure that the camera is balanced properly. Adjust the quick release plate if necessary
- Adjust the counterbalance knobs after balancing the camera to ensure it stays in place, regardless of the tilt angle
- To check if your camera is properly balanced, tilt the head by 30 degrees in both directions and release it.

If the camera stays in place when released, it is balanced correctly. However, if the camera moves upwards, it means the counterbalance is set too high and should be lowered. Similarly, if the camera moves downwards, it means the counterbalance is set too low and should be raised

- If the camera remains stable in one direction but moves slightly in the other, it may indicate that the camera is not balanced centrally. To adjust this, slide the camera plate backwards and forwards until the camera remains stable in both directions
- Adjust the drag according to your needs. Set it to zero for faster panning and higher for slower, steadier pan or tilt

如何使用云台：

- 将快装板安装到相机上，然后调平液压云台。
- 水平阻尼和俯仰阻尼设置为最小并锁定，动平衡调节调到最小。
- 将相机装在云台上，确定平衡点的位置，并将其重心与液压云台的中心对齐。
- 小心地解开俯仰锁定旋钮，检查相机是否平衡到位。如果没有，前后调节快装板，直到平衡为止。
- 相机基本平衡后，调整动平衡旋钮，调到合适的档位，调整到，俯仰无论在什么角度，都能保持悬停，即可完成平衡调节。
- 应根据您的情况和需要设置相应的阻力。如果需要更快地平移，则将阻力设为零。如果需要缓慢或稳定的计划或倾斜，则将阻力调大一些。

执行标准：GB/T 26572-2011

CE RoHS



www.smallrig.com



LQ-B254-18
Made in China
中国制造

