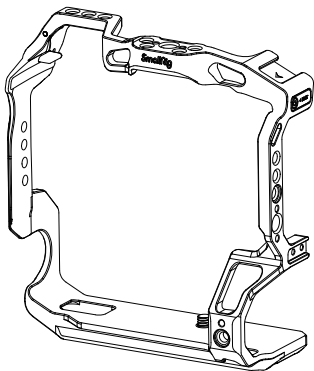


SmallRig



Cage for Canon EOS R5 / R6 / R5C / R6 Mark II
with BG-R10 Battery Grip

User Manual

Thank you for purchasing SmallRig's product.

Warnings

- Please read this User Manual carefully.
- Please keep this User Manual. Always keep this User Manual.
- When passing the products on to the third party. Heed all warnings and follow all instructions in this User Manual.

In the Box

Cage × 1

Specifications

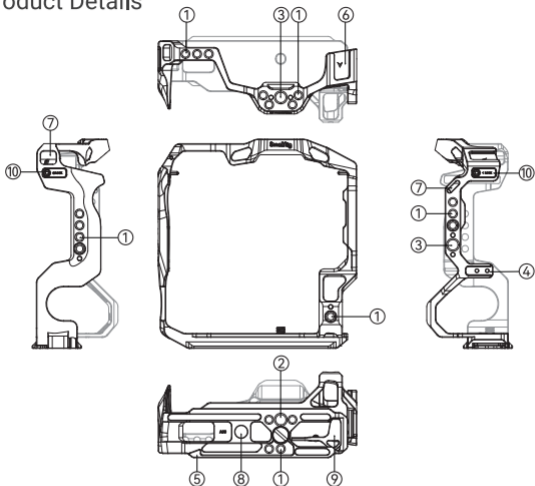
Compatibility: Canon EOS R5 / R6 / R5C / R6 Mark II & Canon BG-R10 Battery Grip

Product Dimensions: 153 × 66 × 161.3mm

Product Weight: 200g ± 5g

Material(s): Aluminum Alloy

Product Details



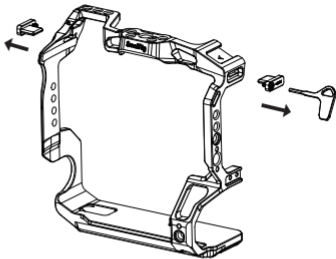
- ① 1/4"-20 Threaded Hole
- ② 3/8"-16 Threaded Hole
- ③ ARRI 3/8"-16 Locating Hole

- ④ M3 Threaded Hole
- ⑤ Arca-Swiss Plate
- ⑥ Cold Shoe Mount

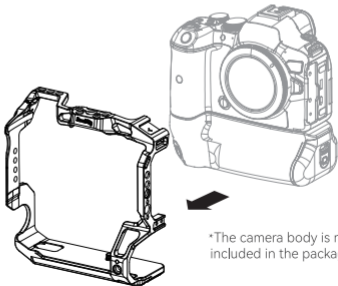
- ⑦ Strap Slot
- ⑧ QD Socket
- ⑨ Dual-Head Wrench
- ⑩ Side Lock Adapter

Installation Instruction

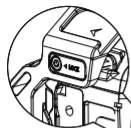
Before installation, please use the Dual-Head Wrench to remove the side lock adapters on both sides of the cage first.



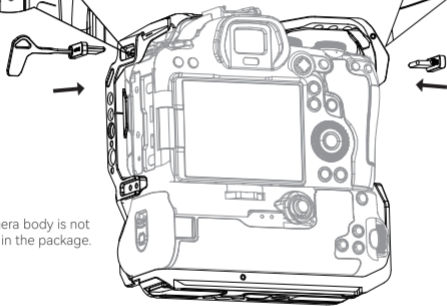
Step1: Put the camera into the cage from back to the front.



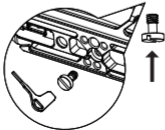
*The camera body is not included in the package.



Step3: Align the side lock adapters with the shoulder strap slots on both sides of the camera, and then use the Dual-Head Wrench to tighten the M3 screws to the side lock adapters on both sides.



*The camera body is not included in the package.



Step2: Secure the cage using the Dual-Head Wrench to tighten the 1/4"-20 screw.