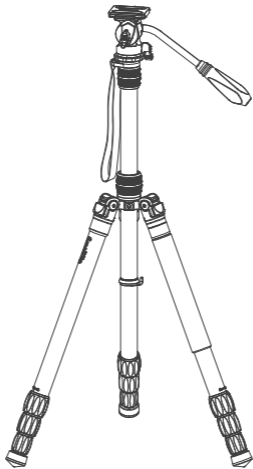


SmallRig



CT180 Video Tripod Kit

Operating Instruction

- Thank you for purchasing SmallRig's product.
- Please read this Operation Guide carefully.
- Please follow the safety warnings.

Warnings

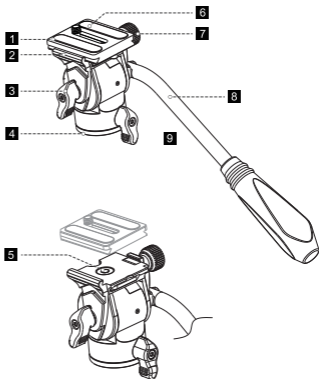
- Do not overload use.
- Brutal operation is strictly prohibited to avoid damage to the head.
- Make sure the device is securely attached before operating the video head.
- Do not move the tripod when the device is attached.
- Do not use in an environment with a temperature lower than minus 15 degrees or higher than 70.
- Do not leave the product expose to the sun for a long time.
- It is forbidden to inject petroleum preparations, lubricants, and corrosive substances into the head. Please use standard lubricating oil or grease if needed.
- For personal safety, please stay away from high-voltage equipment or strong chemicals when using.

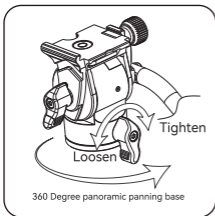
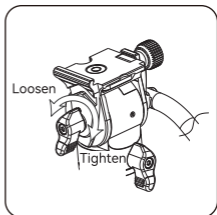
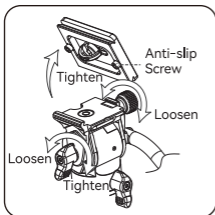
In the Box

CT180 Tripod Kit (including a mini fluid head)	× 1
Smartphone Holder	× 1
Metal Spiked Feet	× 3
Allen Wrench	× 2
Carrying Bag	× 1
Operating Instruction	× 1
Guarantee Card	× 1

Product Details

- 1 Quick Release Plate
- 2 Platform
- 3 Tilt Knob
- 4 Base
- 5 Spirit Level
- 6 1/4"-20 Screw
- 7 Platform Locking Knob
- 8 Grip
- 9 Base Locking Knob





Specifications



1/4"-20 Screw
1/4"-20



Base MAX.D
 $\phi 36\text{mm} / \phi 1.42\text{in}$



Width
78mm / 3.07in



Height
70mm / 2.75in



Depth
200mm / 7.87in



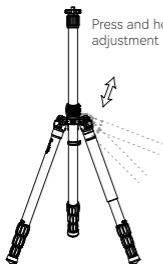
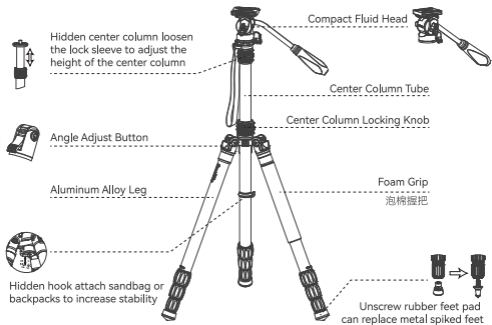
Tilt Angle
90 Degree Down
/ 55 Degree Up



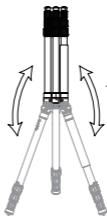
Weight
0.28kg / 0.62lbs



Max.Load
3kg / 6.61lbs



Press and hold the button leg angle adjustment lock the fold.



180° reverse folding



High Angle



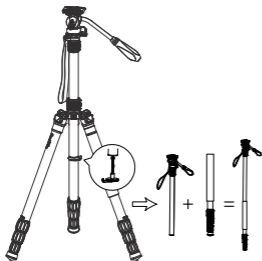
Middle Angle



Low Angle



Reverse Folding



Method:

1. Unscrew the leg with foam leg and take it out
2. Unscrew the stability hook and pull out the center leg
3. Install the center leg on the monopod to complete a "monopod"

Specifications

Model 型号	Material 材质	Section	Max.D	Folded	Min.H	Max.H
CT180	Aluminum Alloy	4	φ25mm φ0.98in	430mm 16.9in	390mm 15.4in	1750mm 68.9in
Weight	Max.Load	Folded	Max.H			
1.45kg 3.2lbs	15kg 33lbs	370mm 14.6in	1800mm 70.9in			

* All the specifications are measured without a ball head.