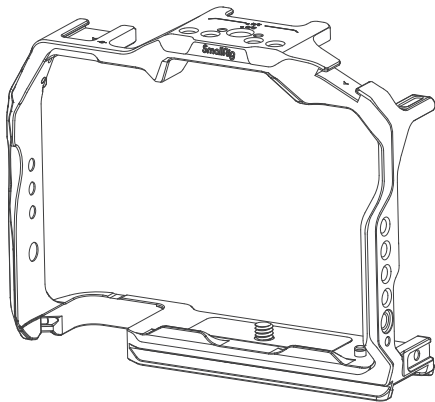


SmallRig



Cage for Nikon Z 8

User Manual

In order to ensure user's safety and prevent the product damages caused by any improper use, please carefully read the "Warnings" below and properly keep this User Manual for future reference.

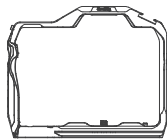
Foreword

Thank you for purchasing SmallRig's product.

Warnings

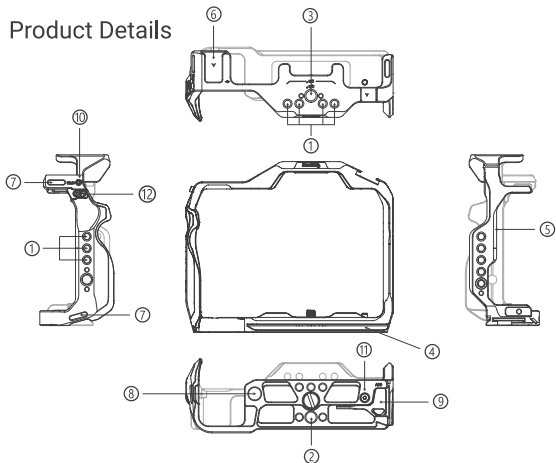
- Please read this User Manual carefully.
- Please keep this User Manual. Always keep this User Manual. when passing the products on to the third party.
- Heed all warnings and follow all instructions in this User Manual.

In the Box



Cage × 1

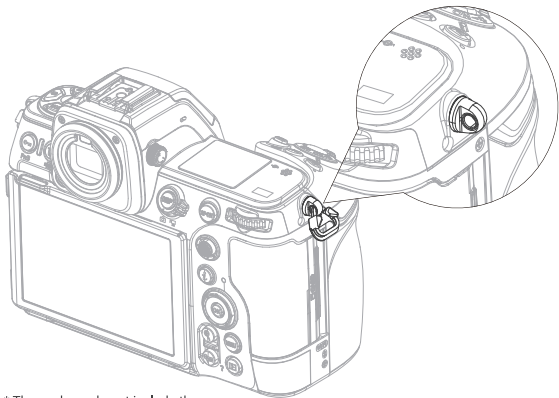
Product Details



- | | | |
|----------------------------------|-------------------------|------------------------------|
| ① 1/4"-20 Threaded Hole | ② 3/8"-16 Threaded Hole | ③ ARRI 3/8"-16 Locating Hole |
| ④ Arca-Swiss Quick Release Plate | ⑤ NATO Rail | ⑥ Cold Shoe Mount |
| ⑦ Strap Slot | ⑧ QD Socket | ⑨ Dual-Head Wrench |
| ⑩ M2.5 Screw | ⑪ Locating Screw | ⑫ Side Lock Adapter |

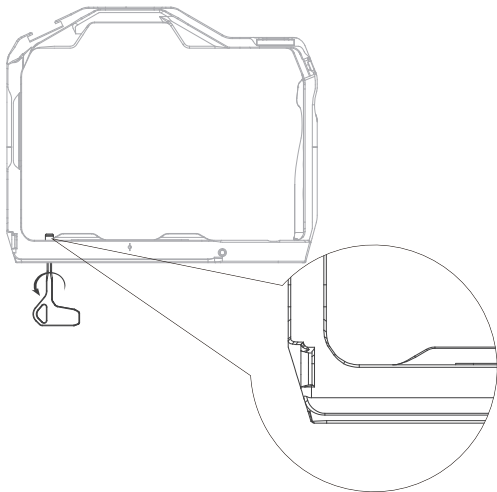
Installation Instruction for Cage

1. Remove the split D-ring on the right side before installing the cage.



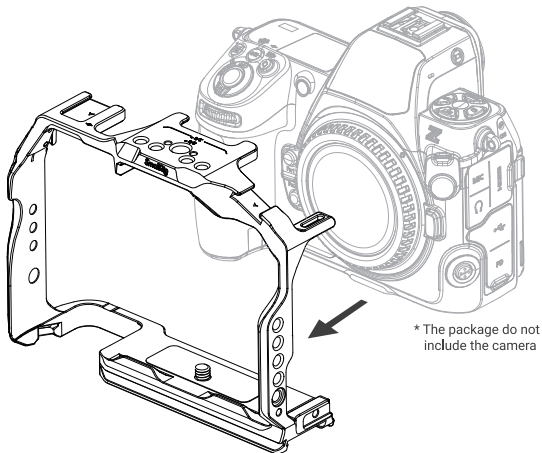
* The package do not include the camera

2. Loosen the locating screw ⑩ until it parallel the bottom of the cage.

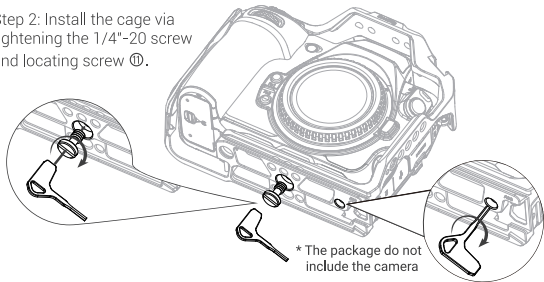


3. Install the Cage

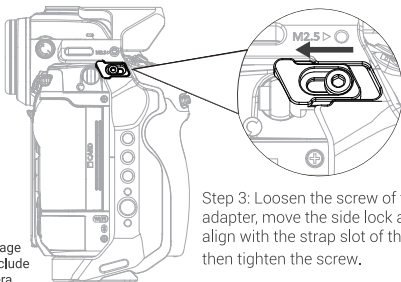
Step 1: Put the camera into the cage from back to the front.



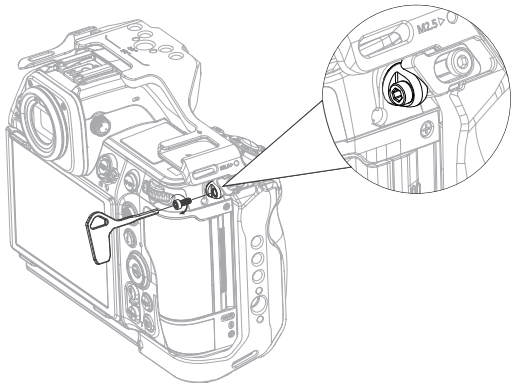
Step 2: Install the cage via tightening the 1/4"-20 screw and locating screw ⑩.



* The package do not include the camera



Step 4: Take off the M2.5 screw ⑩ on the right side of the cage, then lock the M2.5 screw ⑩ to the cage via the strap slot of the camera.



* The package do not include the camera

Specifications

Product Dimensions: 159.1 × 56.8 × 131mm

Product Weight: 203g ± 5g

Material(s): Aluminum Alloy