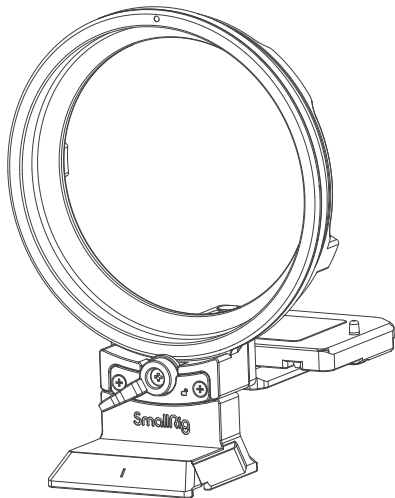


SmallRig



Rotatable Horizontal-to-Vertical Mount Plate Kit for Canon EOS Specific R Series Cameras

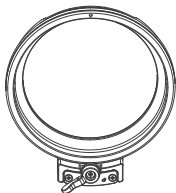
User Manual

Thank you for purchasing SmallRig's product.

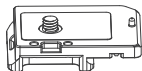
Warnings

- Please read this User Manual carefully.
- Please keep the User Manual properly, and be sure to attach this User Manual when handing over the product to others.
- Please heed all warnings and follow all instructions in the owner's manual.

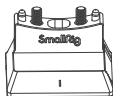
In the Box



① Rotatable Horizontal-to-Vertical Support Ring × 1



③ Baseplate × 1



② Rotatable Horizontal-to-Vertical Support Ring Quick Release Plate × 1

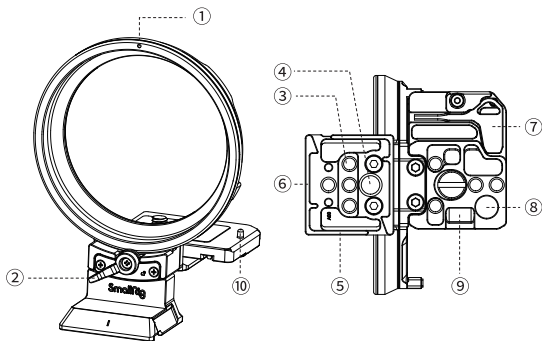


④ Allen Wrench × 1



⑤ M4 Screws × 2

Product Details



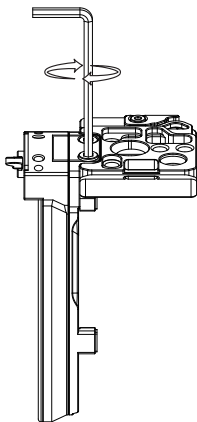
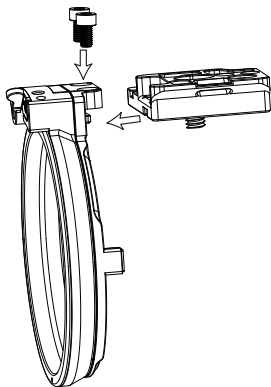
- ① Lens Mounting Marking
- ② Horizontal-to-Vertical Locking Lever
- ③ 1/4"-20 Threaded Hole
- ④ 3/8"-16 Threaded Hole
- ⑤ Arca-Swiss Quick Release Plate
(*Arca-Swiss Quick Release Plate adapts to the DJI R Quick-Release Plate (Lower))
- ⑥ Manfrotto RC2 Quick Release Plate
- ⑦ Dual-Head Wrench
- ⑧ QD Socket
- ⑨ Wrist Strap Hole
- ⑩ Anti-Off Pin

Installation Instruction

*Please remove the lens before installing the product

Step1: Install the baseplate.

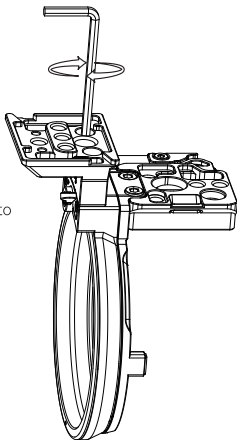
1. First, snap the baseplate into the support ring, and then put two M4 screws into the threaded holes.



2. Tighten the M4 screw via the allen wrench to secure the baseplate.

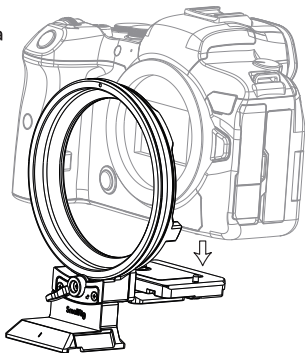
Step2: Install the Support Ring Quick Release Plate.

1. Use the allen wrench to mount the support ring quick release plate onto the baseplate.



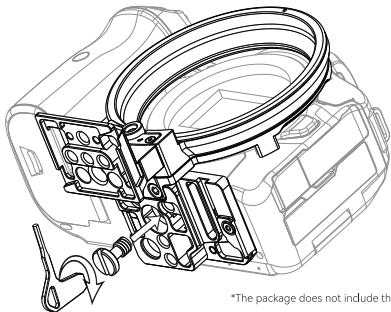
Step3: Install the camera

1. Put the camera into the Rotatable Horizontal-to-Vertical Mount Plate from top to the lower.



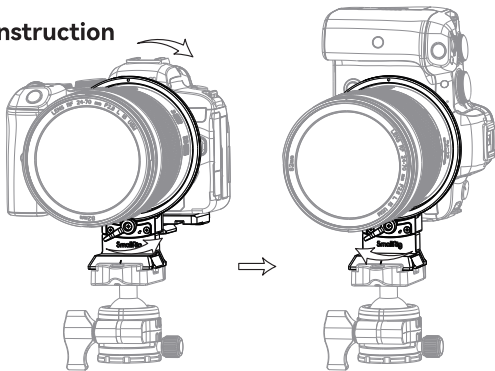
*The package does not include the camera.

2. Tighten the 1/4"-20 screw via a Dual-Head Wrench to secure the Rotatable Horizontal-to-Vertical Mount Plate.



*The package does not include the camera.

Instruction

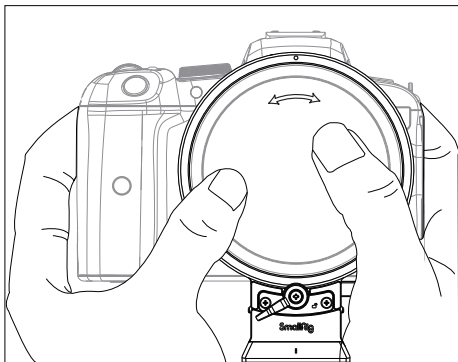


Unlock the horizontal-to-vertical locking lever ② to switch between vertical and horizontal shooting.

*The package does not include the camera.

Caution

After Install the Rotatable Horizontal-to-Vertical Mount Plate, please refer to the figure to remove and install the body cap.



*The package does not include the camera.

Specifications

| | |
|--------------------|--------------------------------------|
| Compatibility | Canon EOS R5 / R5C / R6 / R6 Mark II |
| Product Dimensions | 124 × 94 × 68.7mm |
| Product Weight | 163 ± 5g |
| Material(s) | Aluminum Alloy, Stainless Steel |