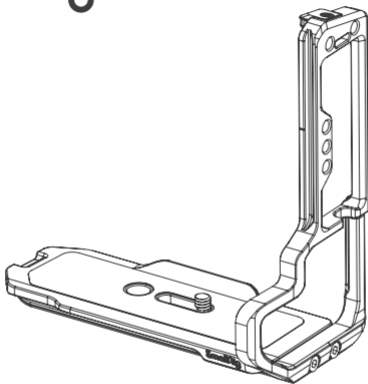


# SmallRig



## **L-Shape Mount Plate for FUJIFILM GFX100 II with VG-GFX100II Battery Grip**

User Manual

Thank you for purchasing SmallRig's product.

## Warnings

- Please read this User Manual carefully.
- Please heed all warnings and follow all instructions in the owner's manual.

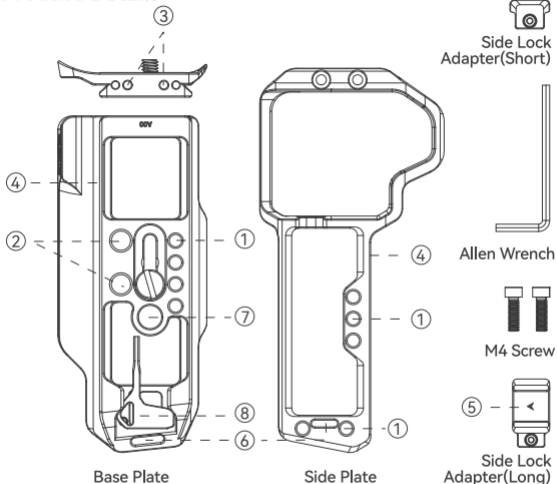
## In the Box

Base Plate	× 1	Side Lock Adapter(Short)	× 1
Side Plate	× 1	Side Lock Adapter(Long)	× 1
M4 Screw	× 2	Allen Wrench	× 1

## Specifications

Product Dimensions	154.2 × 158.9 × 76.1mm
Product Weight	168 ± 5g
Material(s)	Aluminum Alloy

## Product Details

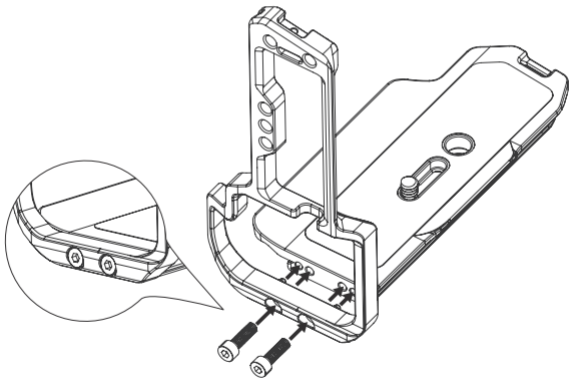


- ① 1/4"-20 Threaded Hole    ② 3/8"-16 Threaded Hole    ③ M4 Threaded Hole  
④ Arca-Swiss Quick Release Plate    ⑤ Cold Shoe Mount    ⑥ Shoulder / Wrist Strap Slot  
⑦ QD Socket    ⑧ Dual-Head Wrench

# L-Bracket Installation Instruction

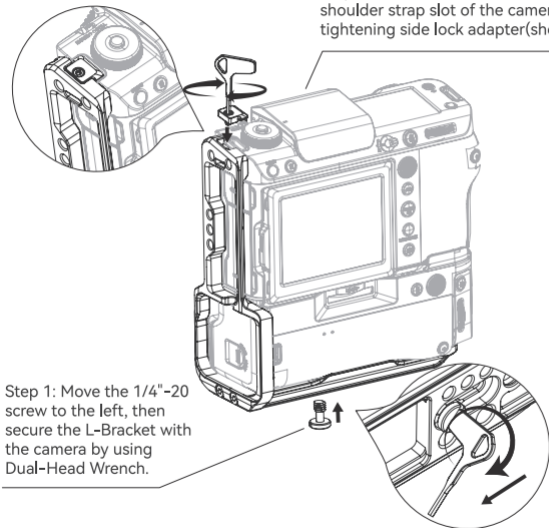
## 1. Install the L-Bracket

Securely lock the baseplate and the side plate by tightening two M4 screws.



## 2. Install the L-Bracket to the Camera

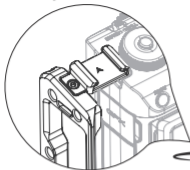
Step 2: Secure the L-Bracket and the shoulder strap slot of the camera via tightening side lock adapter(short).



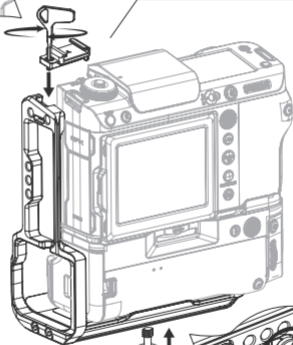
Step 1: Move the 1/4"-20 screw to the left, then secure the L-Bracket with the camera by using Dual-Head Wrench.

\*The package do not include the camera

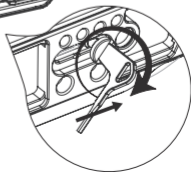
### 3. Baseplate extendable design



Step 2: Secure the L-Bracket with shoulder strap slot of the camera via tightening side lock adapter(long).



Step 1: Move the 1/4"-20 screw to the right, then secure the L-Bracket with the camera by using Dual-Head Wrench.



\*The package do not include the camera