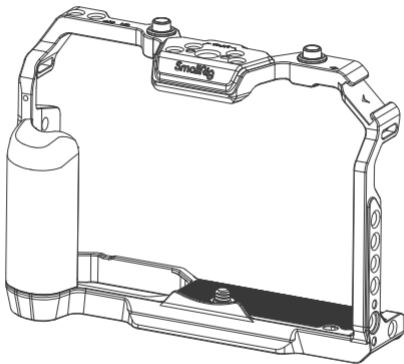


# SmallRig



## Cage for Nikon Z f

User Manual

Thank you for purchasing SmallRig's product.

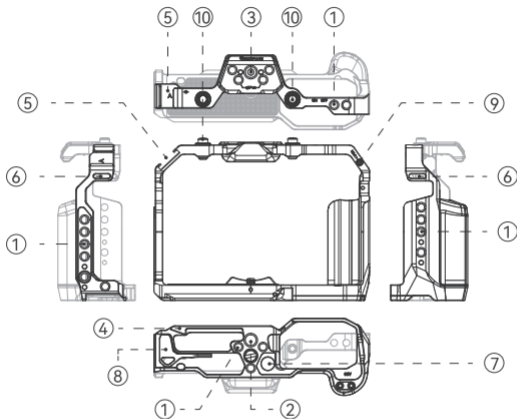
## Warnings

- Please read this User Manual carefully.
- Please heed all warnings and follow all instructions in the owner's manual.

## Specifications

Product Dimensions	6.2 × 2.2 × 4.7in
Product Weight	6.8 ± 0.2oz
Material(s)	Aluminum Alloy, Blackwood

## Product Details



① 1/4"-20 Threaded Hole

② 3/8"-16 Threaded Hole

③ ARRI 3/8"-16 Locating Hole

④ Arca-Swiss Quick Release Plate

⑤ Cold Shoe Mount

⑥ Shoulder / Wrist Strap Holet

⑦ QD Socket

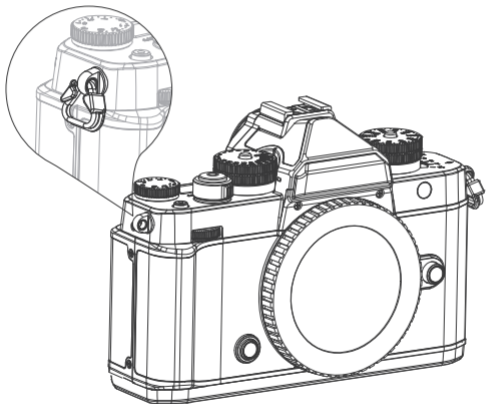
⑧ Allen Wrench

⑨ M2.5 Screw

⑩ Dial Release Button

## Installation Instruction

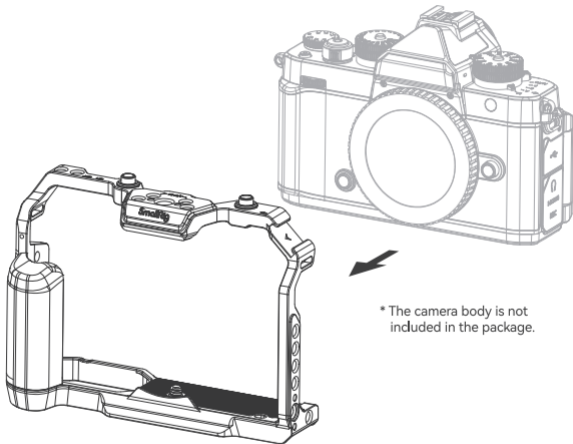
Remove the split D-ring on the right side of the camera before installing the cage.



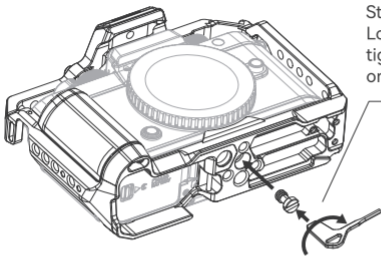
\*The package do not include the camera

## Install the cage

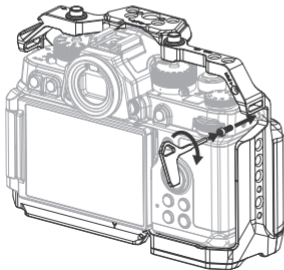
Step 1: Mount the camera into the cage from back to the front.



\* The camera body is not included in the package.



Step 2:  
Lock and install the cage via  
tightening the 1/4"-20 screw  
on the bottom.

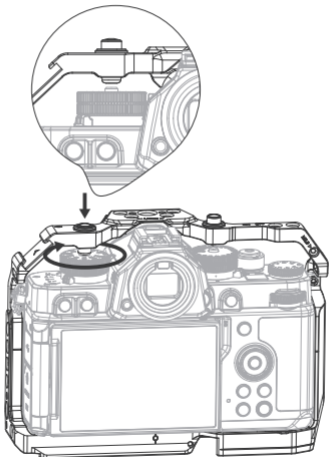


Step 3:  
Use the included Allen Wrench ⑧ to  
disassemble the M2.5 screw ⑨ on the  
cage, and then install and secure the  
M2.5 screw ⑨ to the cage through the  
shoulder strap hole.

\*The package do not include the camera

## Instructions for Dial Release Button

Press the dial release button ⑩ on the top of the cage to rotate the corresponding dial on the camera.



\*The package do not include the camera