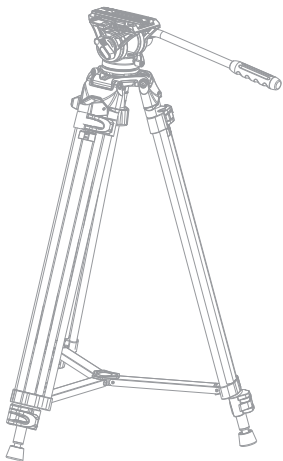
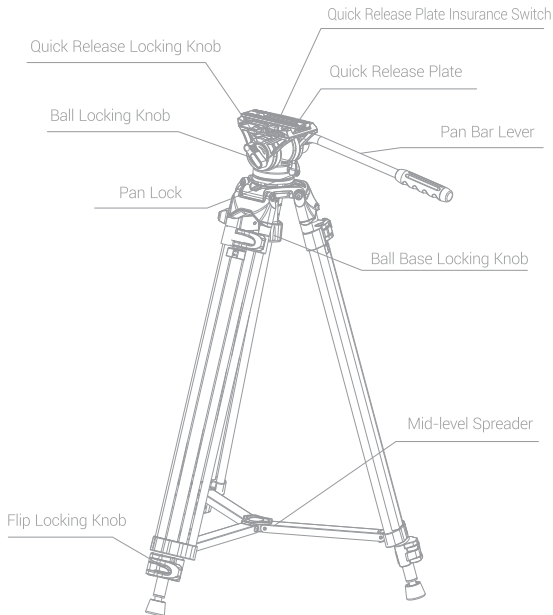


SmallRig



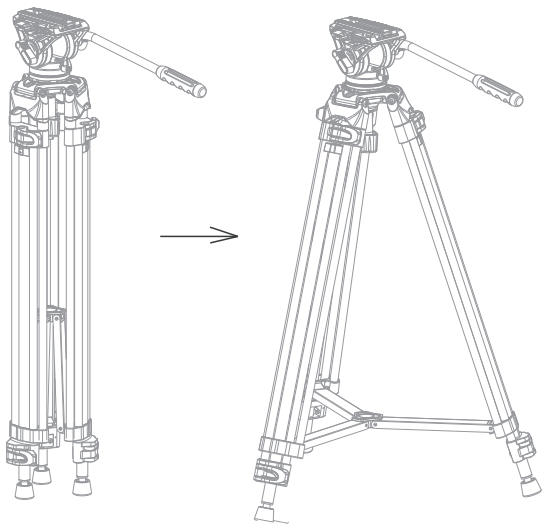
Heavy-Duty Fluid Head Tripod AD-01 User Manual

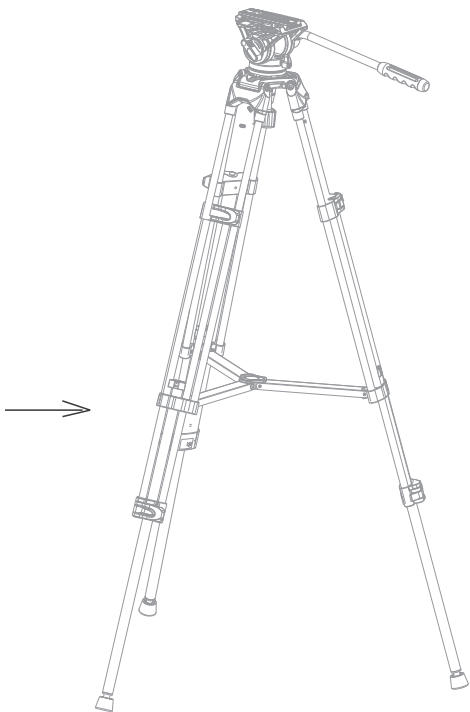
Components Description



Adjustable Height of Tripod

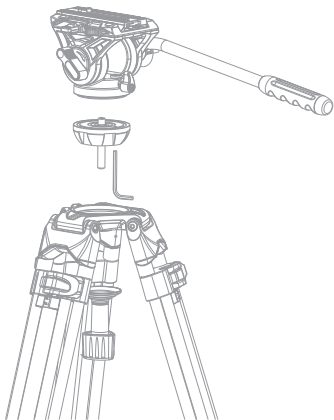
Open the tube locks of three feet, and then open it to adjust the height.



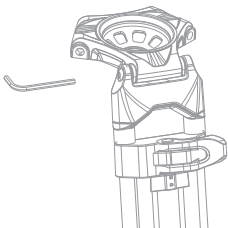


Combination the Head with Tripod

1. Clockwise screwing the bowl on the 3/8"-16 bottom hole of the head and then using the Allen key to lock three set screws.
2. Install the head into the tripod bowl, then clockwise lock the head on the tripod steady.

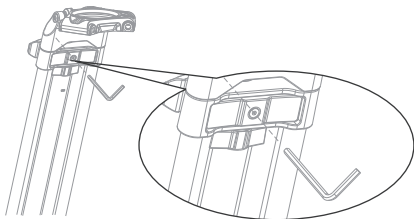


Adjustable Tightness of Tripod



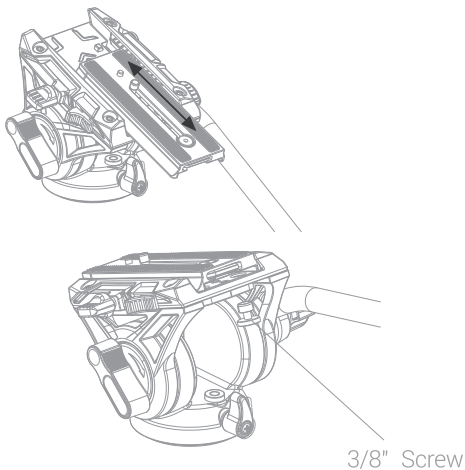
Adjust the Flip Lock Strength

Use the Allen wrench clockwise tighten the screws can enhance lock strength. In a similar way, anticlockwise loose the screws can weaken the lock strength.



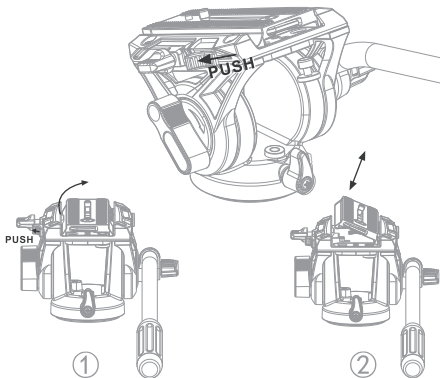
QR Plate

It is easy to change camera and transport mode with an included quick plate. The quick release plate comes with one 1/4"-20 screw & one 3/8"-16 screw as needed. The hidden screws are stored on the head base.



Quick Release Plate Installation and Use

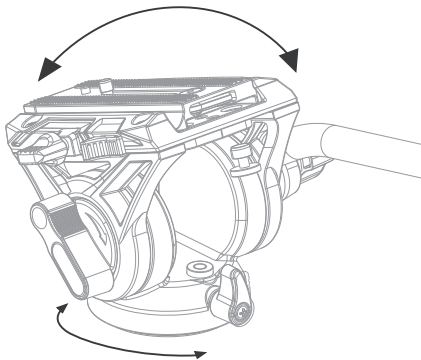
Loosen the locking knob of the quick release plate and push the quick release plate insurance switch (when there is equipment the quick release plate, you need to keep pushing the insurance switch to remove the quick release plate), then you can take out the quick release plate. The installation of the Quick release plate is shown in Figure 2. One side of the quick release plate snaps into the gimbal panel slot, and then put the quick release plate into the panel, and lock the quick release plate knob.



Tilt Adjustment & Pan Adjustment

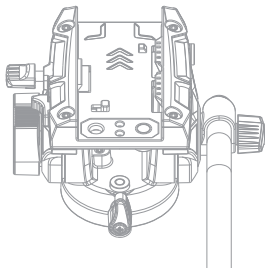
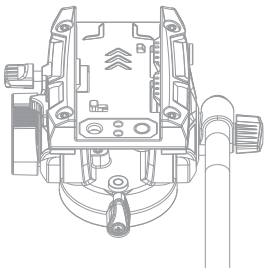
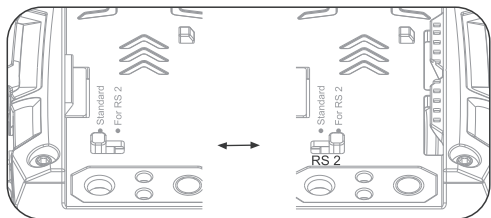
A side mounted knob adjusts the tension of the dragon front-rear. Tilt movements. Rotate to adjust with a camera mounted to find the most appropriate setting.

A pan bar lever provides both drag and locking control of horizontal head movement.



DJI RS2

It is not only compatible with quick release plate for DJI RS 2 stabilizer, but also free to switch the dual-mode of DJI RS 2 and Manfrotto.



User Notice:



Always ensure the locks and devices are in safety condition to avoid accidental damage of the camera and other equipment.



Do not use the product at temperature less than -20°C or more than 70°C . It is not recommended to use in seawater.



Avoid leaving the product in high temperature, e.g in the sun for long time or in a car near the car window for hours.



Please keep the product away from the reach of children while working, preventing any accidental hurt in the public. Be careful to use product in dangerous place.



After using in the wet, dusty, sandy, windy days, it is recommended to clean and dry the tripod with soft cloth. The dirt, dust, and sand in all leg locks, threads, should be removed after using. Clean with mild detergent or alcohol.



For your own safety, don't let products near any electrical power source and chemical substances.