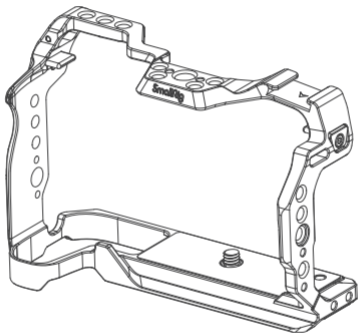


SmallRig



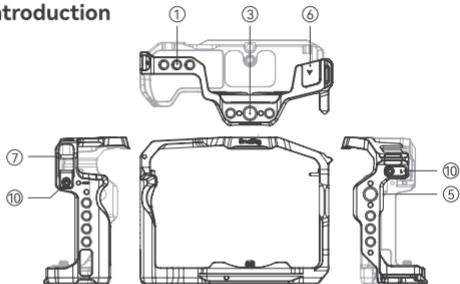
Cage for Canon EOS R50

User Manual

Foreword

Thank you for purchasing SmallRig's product.

Product Introduction

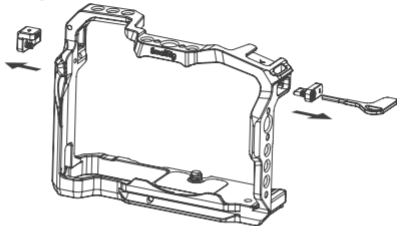


- ① 1/4"-20 Threaded Hole
- ② 3/8"-16 Threaded Hole
- ③ ARRI 3/8"-16 Locating Hole
- ④ Arca-Swiss Plate
- ⑤ NATO Rail
- ⑥ Cold Shoe Mount

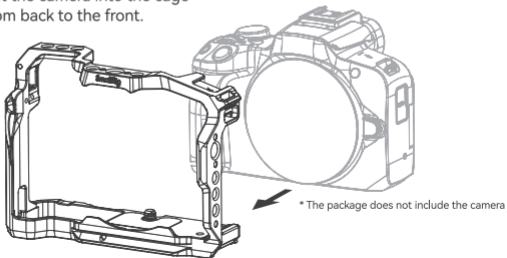
- ⑦ Strap Slot
- ⑧ QD Socket
- ⑨ Dual-Head Wrench
- ⑩ Side Lock Adapter

Installation Instruction

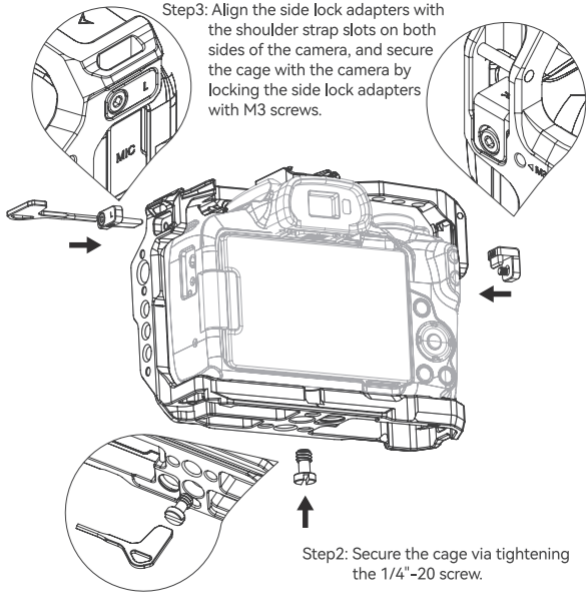
* Before installation, please use a double-head wrench to remove the side lock adapters on both sides of the cage first.



Step1: Put the camera into the cage from back to the front.



Step3: Align the side lock adapters with the shoulder strap slots on both sides of the camera, and secure the cage with the camera by locking the side lock adapters with M3 screws.



Step2: Secure the cage via tightening the 1/4"-20 screw.

Specifications

Compatibility	Canon EOS R50
Product Dimensions	133.5 × 101.5 × 59.2mm
Product Weight	129g ± 5g
Material(s)	Aluminum Alloy