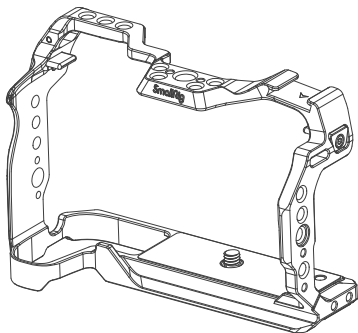


SmallRig



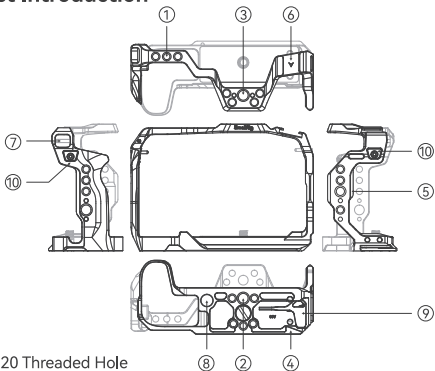
Cage for Canon EOS R8

User Manual

Foreword

Thank you for purchasing SmallRig's product.

Product Introduction



① 1/4"-20 Threaded Hole

② 3/8"-16 Threaded Hole

③ ARRI 3/8"-16 Locating Hole

④ Arca-Swiss Plate

⑤ NATO Rail

⑥ Cold Shoe Mount

⑦ Strap Slot

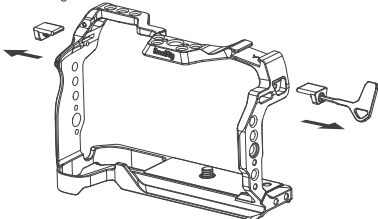
⑧ QD Socket

⑨ Dual-Head Wrench

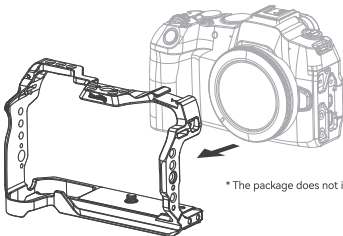
⑩ Side Lock Adapter

Installation Instruction

* Before installation, please use a double-head wrench to remove the side lock adapters on both sides of the cage first.

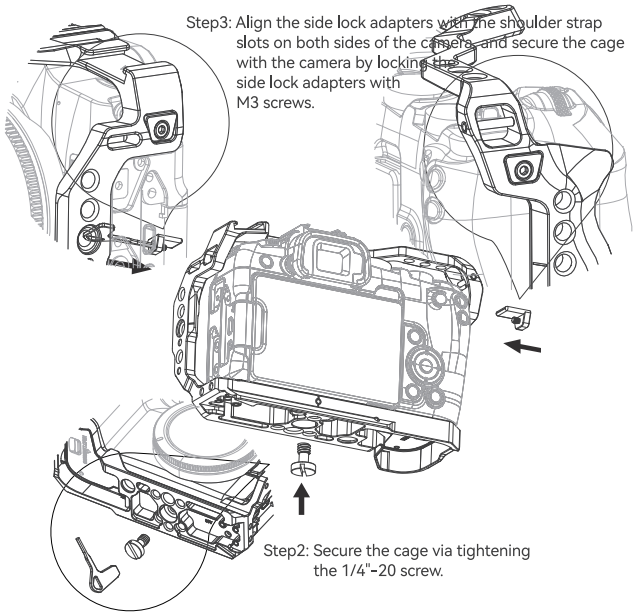


Step1: Put the camera into the cage from back to the front.



* The package does not include the camera

Step3: Align the side lock adapters with the shoulder strap slots on both sides of the camera, and secure the cage with the camera by locking the side lock adapters with M3 screws.



Step2: Secure the cage via tightening the 1/4"-20 screw.

Specifications

Compatibility	Canon EOS R8
Product Dimensions	148.1 × 60.3 × 103mm
Product Weight	140g ± 5g
Material(s)	Aluminum Alloy