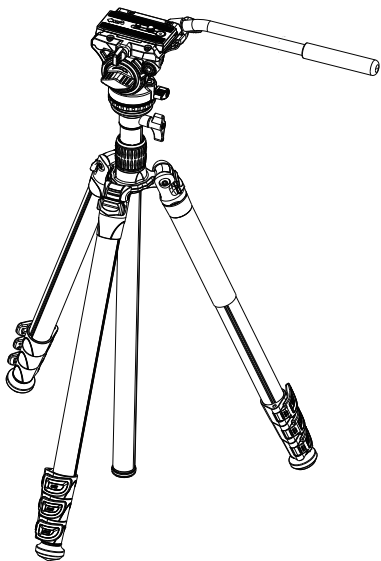


SmallRig



Video Tripod Kit CT210

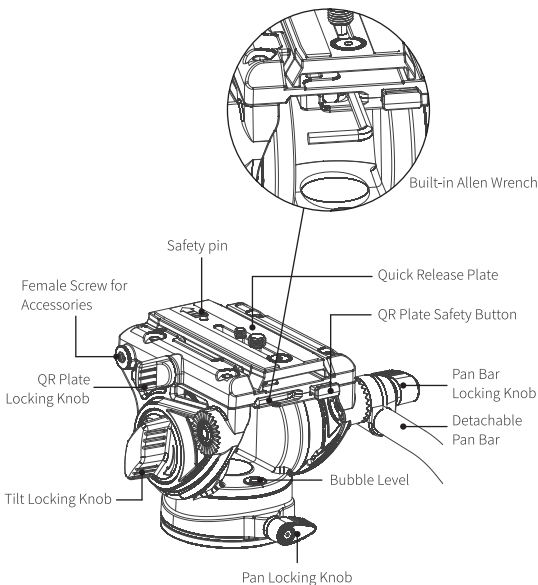
User Manual

Thank you for purchasing SmallRig's product.

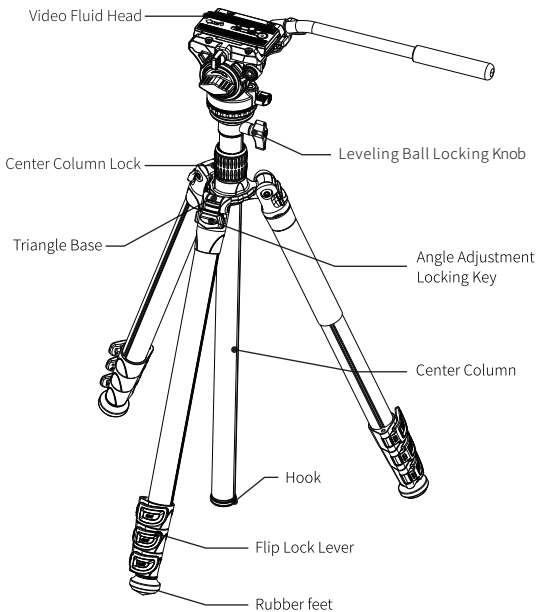
Warnings

1. Please read this User Manual carefully.
2. Please read the instruction manual carefully and follow all safety warnings.

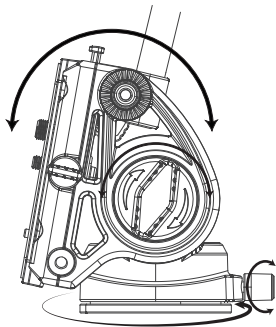
Product Details



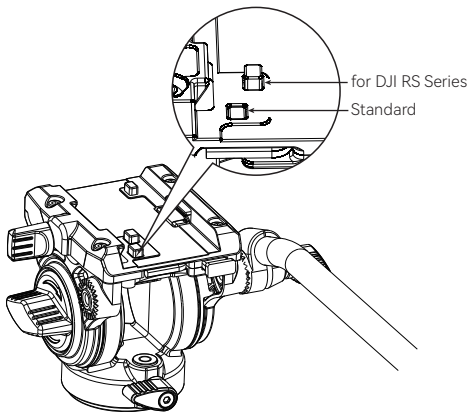
Product Details



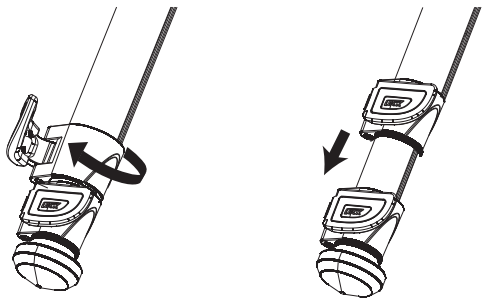
Adjusting Panning & Tilting Position



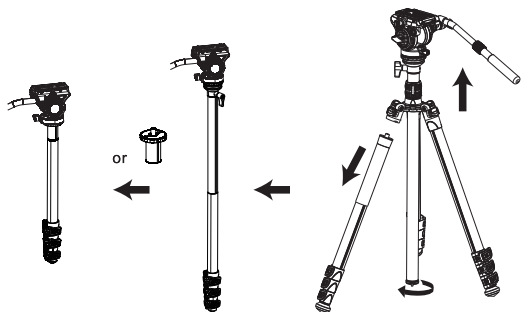
Compatible with DJI RS Series



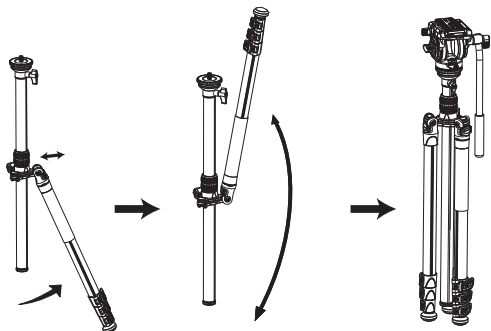
Extending the Tripod Legs



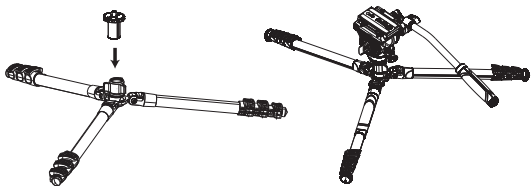
Using One Leg as a Monopod



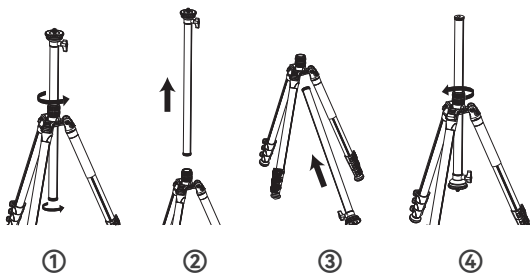
Adjusting Leg Angle



Using the Short Center Column



Reversing the Center Column



Adjusting the Integrated Levelling Base

