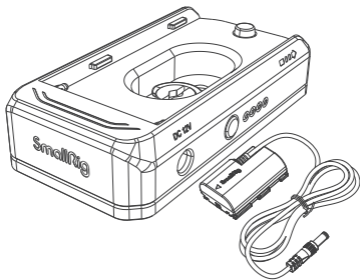


SmallRig



NP-F Battery Adapter Mount Plate Kit

for Canon EOS R5 / R5C and BMPCC 4K / 6K / 6K Pro
(Advanced Edition)

User Manual

Thank you for purchasing SmallRig's product.

Warnings

- Please read this User Manual carefully.
- Please keep the User Manual properly, and be sure to attach this User Manual when handing over the product to others.
- Please heed all warnings and follow all instructions in the owner's manual.
- Do not disassemble the product. If the product is deformed or gets wet, immediately stop all use.
- Avoid dropping the product. Do not use it in excessive temperature or short circuit situation.
- Keep out of reach of children.

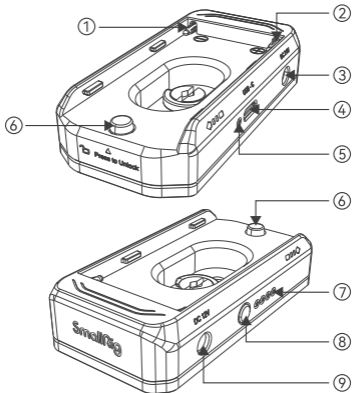


Please do not disassemble the product or change its battery. If you have any question, please contact the seller to apply after-sales service.

In the Box

3168B NP-F Battery Adapter Mount Plate	× 1
DC5521 to LP-E6NH Dummy Battery Power Cable	× 1
1/4"-20 Screw	× 2
Allen Wrench	× 1
User Manual	× 1

Product Details



① NP-F Battery Contact (-)

⑥ Battery Lock

② NP-F Battery Contact (+)

⑦ Battery Level LED Indicator

③ DC 5521 7.4V Output Terminal

⑧ Battery Level Display Button

④ USB-C Input / Output Terminal

⑨ DC5525 12V Output Terminal

⑤ Mode Light

NP-F Battery Adapter Mount Plate Operating Instructions

1. Plug a NP-F battery (recommended) into the adapter plate;
2. Charge the battery through the USB-C port. To charge the battery, use a USB-C cable to connect an adapter to the USB-C port. Then you will see the indicator light turn orange, which means the battery is in slow-charging mode, and turn ice blue, when a fast-charging mode is enabled. The input power in fast-charging mode depends on the output capacity of the adapter, and the charging time depends on the battery capacity and the current charging mode;
3. To output power, plug in a USB-C or DC cable and the power light will go on for 3 seconds, indicating the plate is ready to charge your rig;
4. The USB-C port supports fast discharging. When the indicator light turns orange, it means the battery is in slow-discharging mode and when it turns ice blue, it means a fast-discharging mode is enabled. The max output power is 36W;
5. The DC5521 7.4V output port supports dummy batteries with a voltage range from 6.4V to 8.4V;
6. The DC5525 12V output port supports camera DC port with a rated voltage of 12V.

NP-F Battery Adapter Mount Plate Operating Instructions Specifications

Maximum Working Power	less than battery power (based on NP-F battery capacity)
Standby Power (Static Reference Power)	0.2W (Max)
DC5521 7.4V Output Terminal	6.4V ~ 8.4V Max: 3A
DC5525 12V Output Terminal	12V ± 5% Max: 3A
USB-C Input / Output Terminal Charging Input	5V / 3A, 9V / 2.7A, 12V / 2.1A (Max: 25W)
USB-C Input / Output Terminal Discharge Output	5V / 3A, 9V / 3A, 12V / 3A (Max: 36W)
Charging Working Temperature	0°C ~ 40°C
Working Humidity Range	Relative humidity 20% ~ 90%RH non-condensing
Supportive Protocol for USB-C Charging Input / Output	PD3.0, QC 2.0, QC3.0, SCP, FCP, AFC
Working Light	Support charging NP-F battery through USB-C port; Indicator light for charge and discharge mode: orange-slow charge /slow discharge, ice blue light-fast charge / fast discharge; Battery Level Indicator: four LED light beads, one light flashes when it is lower than 10%, one light is on when it is 10% ~ 25%, two lights are on when it is 25% ~ 50%, three lights are on when it is 50% ~ 75%, four lights are on when it is 75% ~ 100%.

LP-E6NH Dummy Battery Power Cable Product Parameter Specifications

Items	Parameters
Output Voltage Range	7.6V ~ 8.4V
Maximum Output Voltage	8.4V
Maximum Output / Output Current	3A
Input Protection Voltage	DC 8.6 ~ 9.3V
Operating Temperature	0°C ~ 45°C
Battery Case Material	ABS
Input DC Specifications	Male DC5521 connector (inner + / outer -)

How to use LP-E6NH Dummy Battery Power Cable

1. Connect the dummy battery and the power.
2. Insert the powered dummy battery into the camera battery compartment correctly.
3. Close the battery compartment cover.