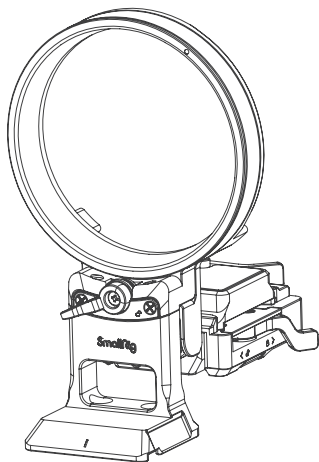


# SmallRig



## **Rotatable Horizontal-to-Vertical Mount Plate Kit for Nikon Specific Z Series Cameras**

User Manual

In order to ensure user's safety and prevent the product damages caused by any improper use, please carefully read the "Warnings" below and properly keep this User Manual for future reference.

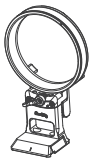
## Foreword

Thank you for purchasing SmallRig's product.

## Warnings

- Please read this User Manual carefully.
- Please keep the User Manual properly, and be sure to attach this User Manual when handing over the product to others.
- Please heed all warnings and follow all instructions in the owner's manual.

## In the Box



Rotatable Horizontal-to-Vertical Mounting Plate × 1



Arca-Swiss Baseplate & Arca-Swiss Quick Release Plate × 1

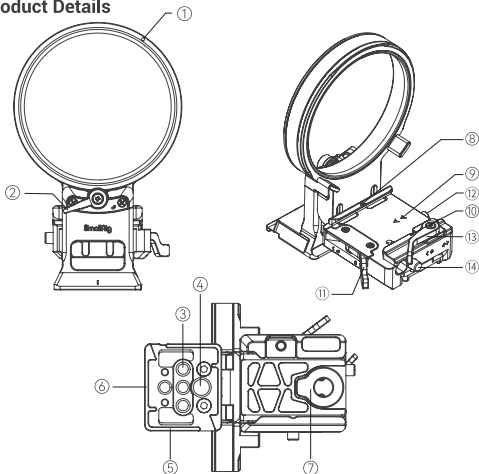


Connecting Plate × 1



Allen Wrench × 1

## Product Details



\* Arca-Swiss Quick Release Plate adapts to the DJI R Quick-Release Plate (Lower)

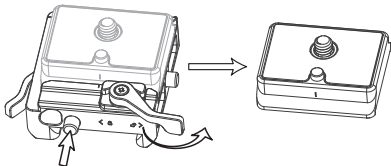
- ① Lens Mounting Marking
- ② Horizontal-to-Vertical Locking Lever
- ③ 1/4"-20 Threaded Hole
- ④ 3/8"-16 Threaded Hole
- ⑤ Arca-Swiss Quick Release Plate
- ⑥ Manfrotto RC2 Quick Release Plate
- ⑦ Flat-Head Screwdriver
- ⑧ Lens Orientation Marking
- ⑨ Quick Release Plate slides Orientation Marking
- ⑩ Centerline Marking
- ⑪ Lens Ring Locking Lever
- ⑫ Lens Ring Anti-Off Button
- ⑬ Arca-Swiss Baseplate Locking Lever
- ⑭ Arca-Swiss Quick Release Plate Anti-Off Button

## Installation Instruction

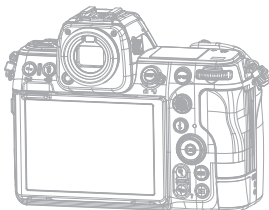
\* Please remove the lens before installing the product.

### Step1: Install the baseplate.

1. Remove the quick release plate: Unlock the locking lever ⑬ on the Arca-Swiss plate first, and press the Arca-Swiss quick release plate anti-off button 14 to remove the Arca-Swiss quick release plate.



2. Install the quick release plate: Align the quick release plate with the 1/4"-20 threaded holes and locating holes at the bottom of the camera, then lock and fix it by the flat-head screwdriver ⑦ at the bottom of the connecting plate.

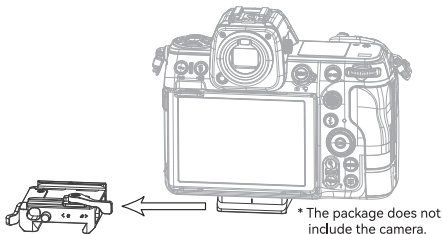


\* The package does not include the camera.



\* Please ignore this step if using camera cages.

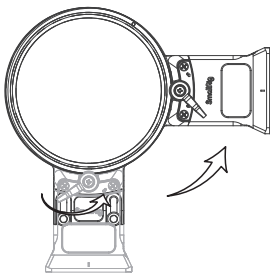
3. Slide the camera into the Arca-Swiss baseplate from right to left.



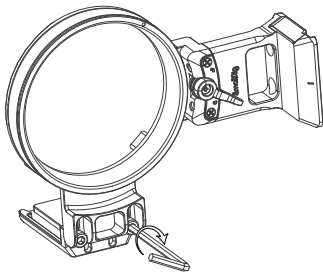
\* Note: The centerline of the cage & quick release plate shall be aligned with the centerline of the Arca-Swiss baseplate.

## Step2: Install the Rotatable Horizontal-to-Vertical Mounting Plate.

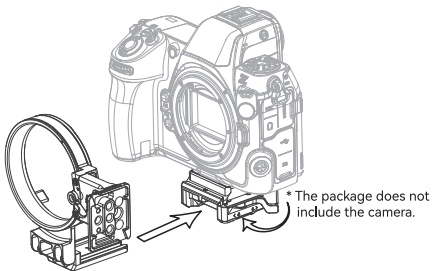
1. Unlock the horizontal-to-vertical locking lever ②, then turn the mounting plate counterclockwise 90° to unfolded state.



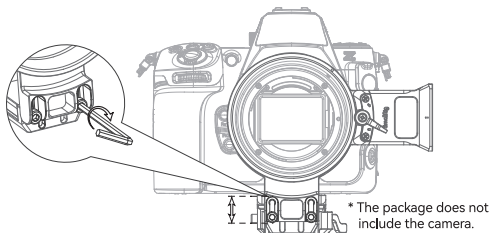
**2. Install the connecting plate:** Align the connecting plate with the two M4 screws at the bottom of the mounting plate and use the allen wrench to lock it, and please do not lock it completely here.



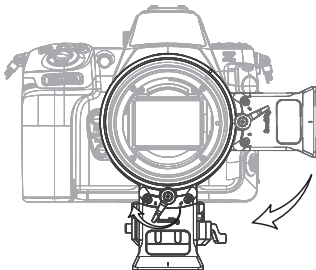
**3. Install the lens ring:** Unlock the lens ring locking lever ⑪, slide the lens ring connecting plate into the slot hole under the baseplate and then lock the lens ring lever ⑪.



4. Adjust the position of the lens ring to align with the center of the lens, and then use the allen wrench to lock it.

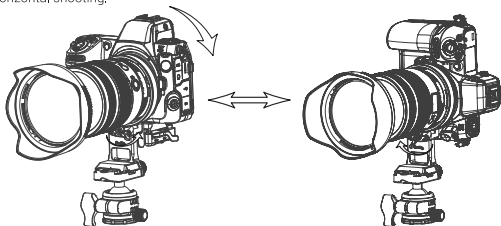


5. Rotate the lens ring 90° clockwise, then lock the horizontal-to-vertical locking lever ②.



## Instruction

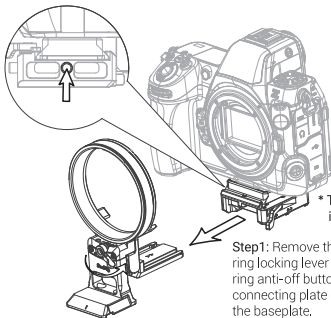
Unlock the horizontal-to-vertical locking lever ② to switch between vertical and horizontal shooting.



\* The package does not include the camera.

## Disassembly Instruction

\* Please remove the lens before disassembling the product.

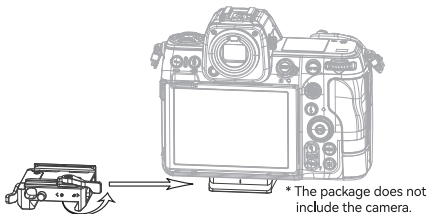


\* The package does not include the camera.

**Step 1:** Remove the lens ring: Unlock the lens ring locking lever ①, press and hold the lens ring anti-off button ② to slide the lens ring connecting plate out of the slot hole under the baseplate.



**Step2:** Remove the camera: Unlock the Arca-Swiss baseplate locking lever ⑬, press and hold the Arca-Swiss quick release plate button ⑭ to slide the camera out to the right.



## Specifications

Compatibility	Compatible Camera Models: Nikon Z 5 / Z 6 / Z 7 / Z 6II / Z 7II / Z 8
	Compatible Camera Cages: SmallRig Cage for Nikon Z 5 / Z 6 / Z 7 / Z 6II / Z 7II 2926B, SmallRig Cage for Nikon Z 8 3940
Product Dimensions	132 × 104 × 83mm
Product Weight	220 ± 5g
Material (s)	Aluminum Alloy、Stainless Steel