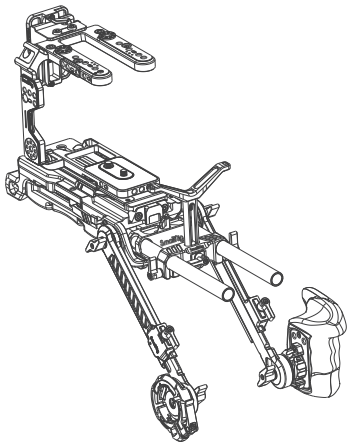


SmallRig



## Shoulder Rig Kit for Sony FX6

User Manual

In order to ensure user's safety and prevent the product damages caused by any improper use, please carefully read the "Warnings" below and properly keep this User Manual for future reference.

## Foreword

Thank you for purchasing SmallRig's product.

## Warnings

- Please read this User Manual carefully.
- Please keep this User Manual. Always keep this User Manual.
- When passing the products on to the third party, heed all warnings and follow all instructions in this User Manual.

## Intended Use

- The user has read the instructions of this manual.
- The user is using the product within the operating conditions and limitations described in this User Manual.
- "Improper use" means using the products other than as described in these instructions or under operating conditions which differ from those described herein.

## In the Box



① Top Plate × 1



② Side Plate × 1



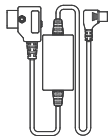
③ Baseplate × 1



④ V-Mount Battery Plate Adapter × 1



⑤ V-Mount Battery Plate × 1



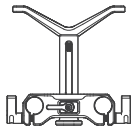
⑥ D-TAP to DC Power Cable × 1



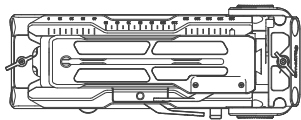
⑦ Left-Side Wooden Grip × 1



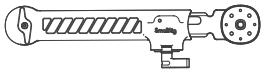
⑧ LCD Screen Mounting Clamp Adapter × 1



⑨ Lens Support × 1



⑩ VCT-14 Shoulder Pad × 1



⑪ Extension Arm × 2



⑫ Camera Grip Adapter × 1



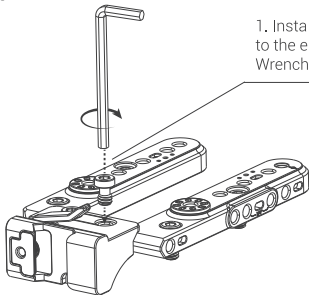
⑬ Camera Grip Extension Cable × 1



⑭ 15mm Rods × 1

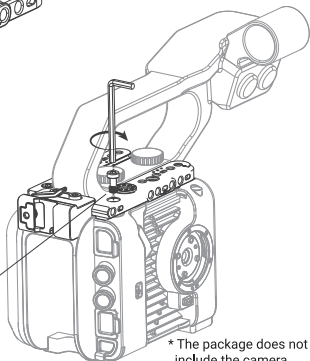
## Installation Introduction

### Cage Installation Introduction

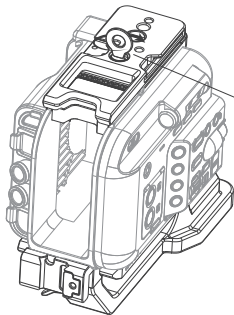


1. Install the V-Mount Battery Plate Adapter to the end of the top plate by using the Allen Wrench.

2. Align the top plate with the 1/4"-20 threaded holes on the top of the camera and lock the top plate via four 1/4"-20 screws by using the Allen Wrench.

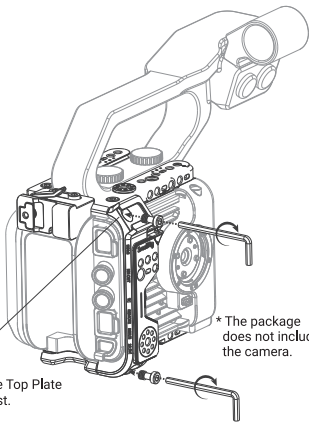


\* The package does not include the camera.



3. After aligning the Baseplate with the threaded holes on the bottom of the camera, use the Flat-Head Screwdriver to lock the 1/4"-20 screw and the 3/8"-16 screw.

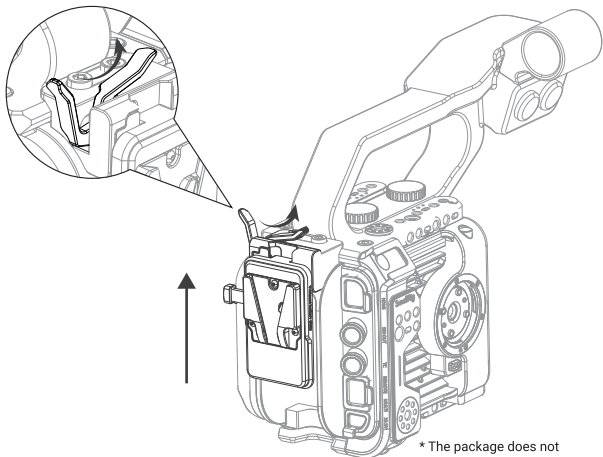
4. After aligning the Side Plate with the 1/4"-20 threaded holes and positioning slots on the right side of the Top Plate and Baseplate, use the Allen Wrench to lock the top and bottom 1/4"-20 screws (the Side Plate can be installed in the front and back of the right side of the Top Plate and Baseplate).



\* The package does not include the camera.

**Note:** To attach the side plate onto the front of the Top Plate and Baseplate, please remove the camera grip first.

5. Pull the V-Mount Battery Plate Adapter lever upward to unlock, slide the V-Mount Battery Plate from the bottom to the top for installation, and press down the lever until it locks

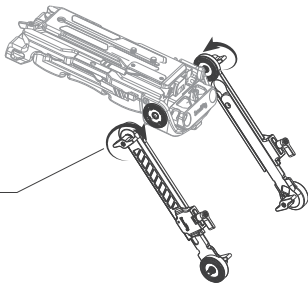


\* The package does not include the camera

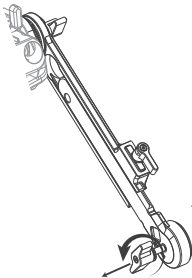
## Shoulder Rig Kit Installation Introduction

### Extension Arms Installation:

Align the Extension Arms with both side ARRI rosette of the VCT-14 Shoulder Pad, then rotate the knob to lock.



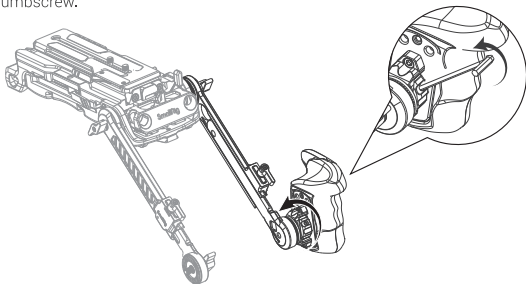
### Wooden Grip Installation:



1. Stretch the knob on the front of the left Extension Arm outward while turning the knob counterclockwise until it is completely removed.

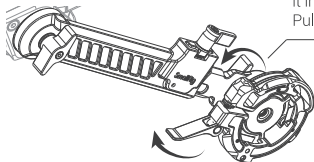


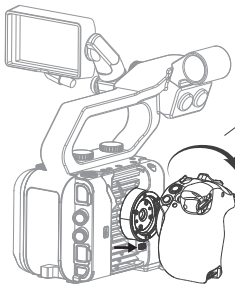
2. Align the Wooden Grip with the left side Extension Arm ARRI rosette, lock it by thumbscrew, and then use the Allen Wrench at the bottom of the handle to reinforce the thumbscrew.



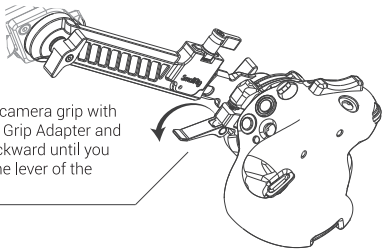
### Camera Grip Installation:

1. Align the Camera Grip Adapter with the right-side Extension Arm's ARRI rosette, with the white dot logo facing up, and lock it in place with the Extension Arm knob. Pull the lever upward to unlock.





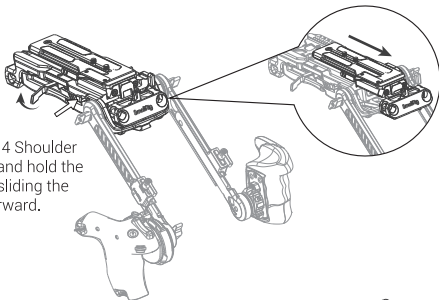
2. Remove the camera grip from the camera.



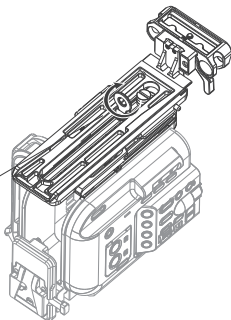
3. Align the white dot of the camera grip with the white dot of the Camera Grip Adapter and snap it in, rotate the grip backward until you hear a click, and then lock the lever of the Camera Grip Adapter.

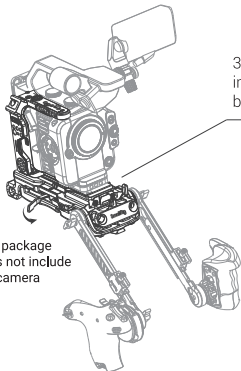
## Camera Installation:

1. Pull back the VCT-14 Shoulder Pad lever, then press and hold the Anti-off Button while sliding the quick release plate forward.



2. After aligning the quick release plate with the threaded hole at the bottom of the cage, lock the 1/4"-20 screw and 3/8"-16 screw with the Flat-Head Screwdriver.



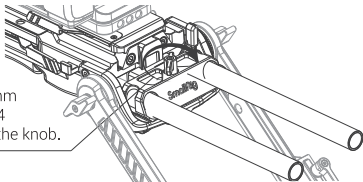


3. Slide the quick release plate and camera into the VCT-14 Shoulder Pad from front to back and lock it in place.

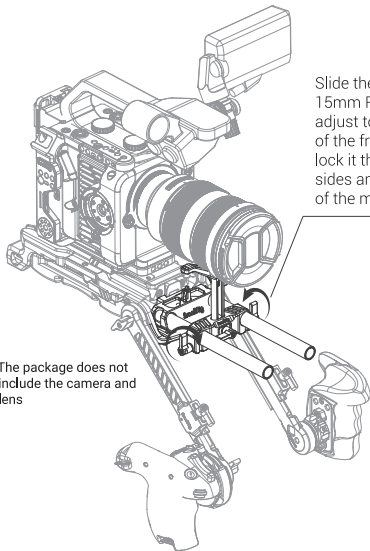
\* The package does not include the camera

### 15mm Rods Installation:

Insert the 15mm Rods into the 15mm rod clamp at the front of the VCT-14 Shoulder Pad and lock the rods by the knob.



## Lens Support Installation:



Slide the Lens Support into the 15mm Rods from front to back, adjust to the non-active position of the front of the lens and then lock it through the knobs on both sides and then adjust the height of the middle support to fit the lens.

\* The package does not include the camera and lens

## Cable Installation:

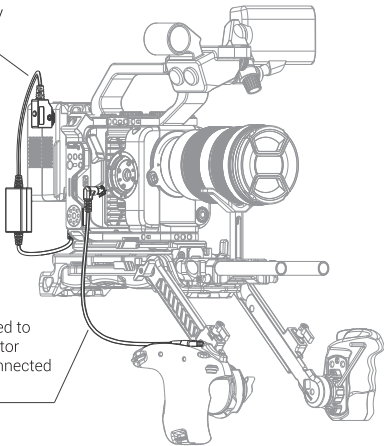
### 1. D-TAP to DC Power Cable:

The D-TAP end is connected to the V-mount battery and the DC end to the camera body [19.5V] connector.

\* V-Mount Battery is not included in the package

### 2. Camera grip extension cable:

The male connector is connected to the camera body [GRIP] connector and the female connector is connected to the camera grip end.



\* The package does not include the camera and lens

## Compatibility

Sony FX6

## Specifications

Product Dimensions: 393.3 × 260.1 × 188.1mm

Product Weight: 2102.0 ± 10.0g

Material(s): Aluminum Alloy, Stainless Steel, Silicone, PC