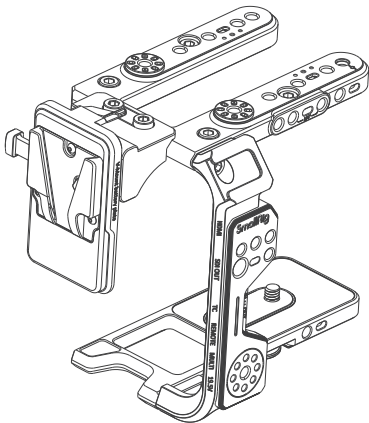


SmallRig



Cage Kit for Sony FX6

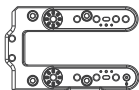
User Manual

Thank you for purchasing SmallRig's product.

Warnings

- Please read this User Manual carefully.
- when passing the products on to the third party. Heed all warnings and follow all instructions in this User Manual.

In the Box



① Top Plate × 1



② Side Plate × 1



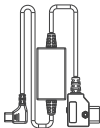
③ Baseplate × 1



④ V-Mount Battery Plate Adapter × 1

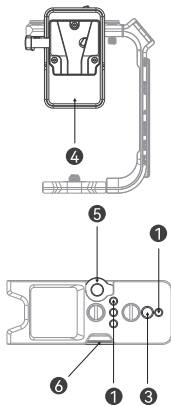
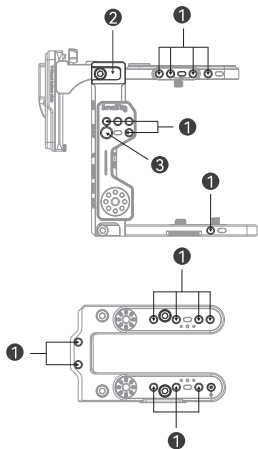


⑤ V-Mount Battery Plate × 1



⑥ D-TAP to DC Power Cable × 1

Product Detail Display



1 1/4"-20
Threaded Hole

2 Cold Shoe Mount

3 3/8"-16
Threaded Hole

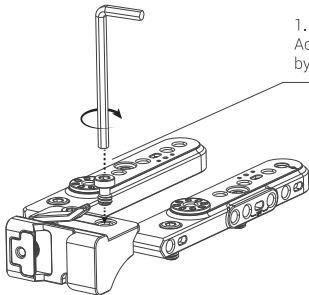
4 V-Mount
Battery Plate

5 Flat-Head
Screwdriver

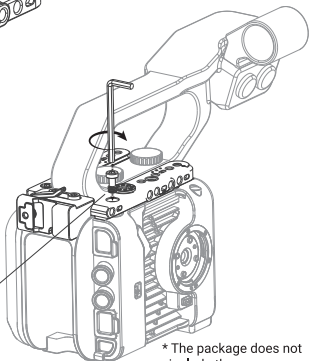
6 Allen Wrench

Installation Introduction

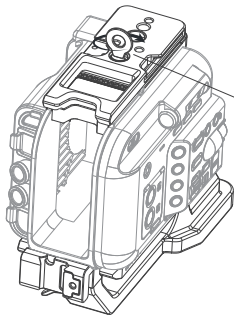
1. Install the V-Mount Battery Plate Adapter to the end of the top plate by using the Allen Wrench.



2. Align the top plate with the threaded holes in the top of the camera body and lock the top four 1/4"-20 screws by using the Allen Wrench.

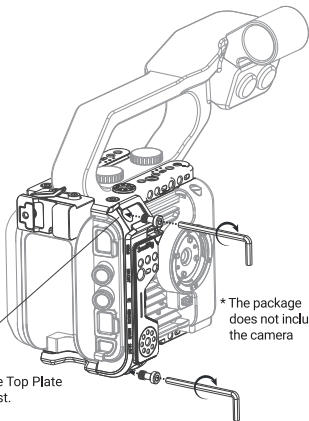


* The package does not include the camera



3. After aligning the Baseplate with the threaded holes on the bottom of the camera, use the Flat-Head Screwdriver to lock the 1/4"-20 screw and the 3/8"-16 screw.

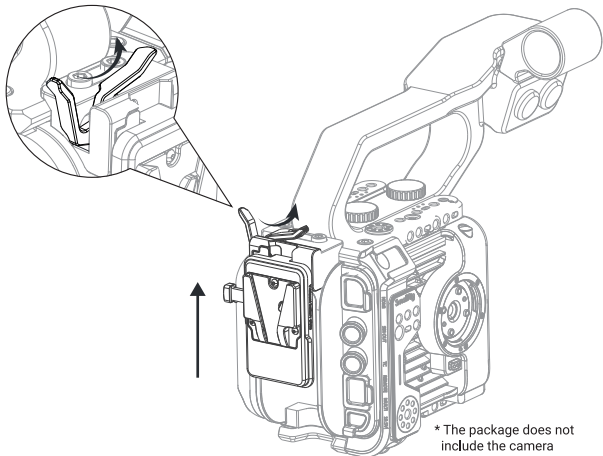
4. After aligning the Side Plate with the 1/4"-20 threaded holes and positioning slots on the right side of the Top Plate and Baseplate, use the Allen Wrench to lock the top and bottom 1/4"-20 screws (the Side Plate can be installed in the front and back of the right side of the Top Plate and Baseplate).



* The package does not include the camera

Note: To attach the side plate onto the front of the Top Plate and Baseplate, please remove the camera grip first.

5. Pull the V-Mount Battery Plate Adapter lever upward to unlock, slide the V-Mount Battery Plate from the bottom to the top for installation, and press down the lever until it locks.



Compatibility

Sony FX6

Specifications

Product Dimensions: 173.9 × 149.4 × 102.4mm

Product Weight: 440.0 ± 5.0g

Material(s): Aluminum Alloy, Stainless Steel, Silicone