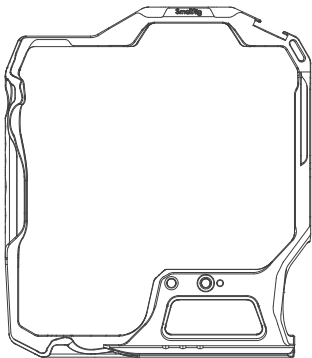


SmallRig



**Cage for Nikon Z 8  
with MB-N12 Battery Grip**

User Manual

In order to ensure user's safety and prevent the product damages caused by any improper use, please carefully read the "Warnings" below and properly keep this User Manual for future reference.

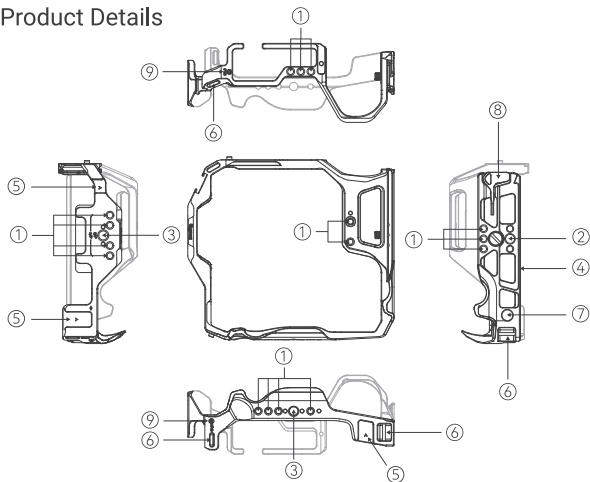
## Foreword

Thank you for purchasing SmallRig's product.

## Warnings

- Please read this User Manual carefully.
- Please keep this User Manual. Always keep this User Manual.
- When passing the products on to the third party. Heed all warnings and follow all instructions in this User Manual.

## Product Details



① 1/4"-20 Threaded Hole

④ Arca-Swiss Quick Release Plate

⑦ QD Socket

② 3/8"-16 Threaded Hole

⑤ Cold Shoe Mount

⑧ Dual-Head Wrench

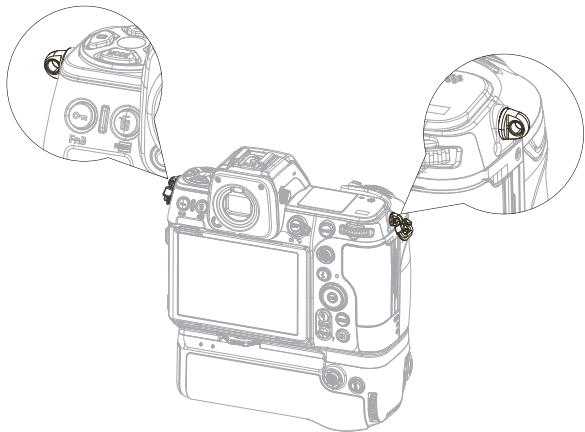
③ ARRI 3/8"-16 Locating Hole

⑥ Strap Slot

⑨ M2.5 Screw

## Cage Installation Instruction

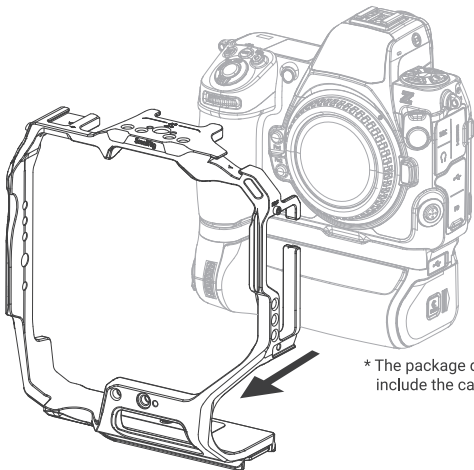
1. Remove both sides split D-ring before installing the cage



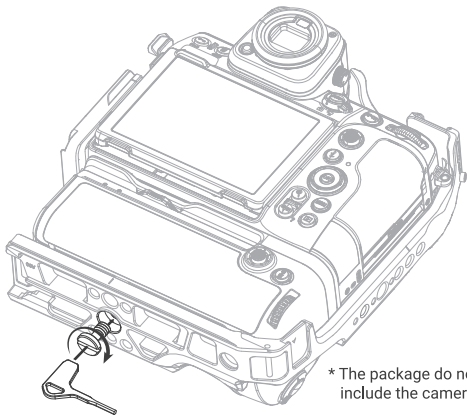
\* The package do not include the camera

## 2. Install the Cage

Step 1: Put the camera into the cage from back to the front.



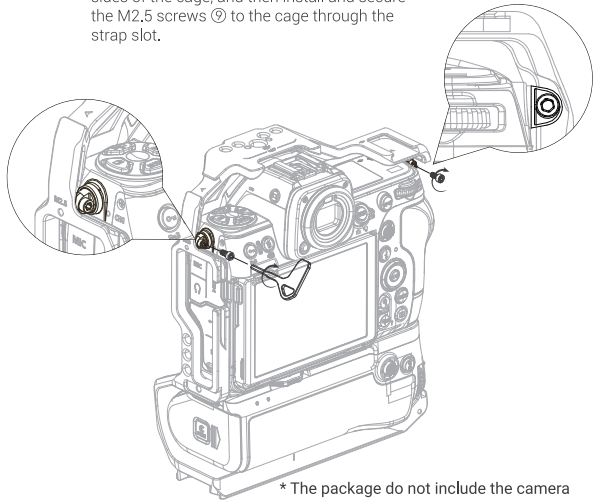
\* The package do not include the camera



\* The package do not include the camera

Step 2: Install the cage via tightening the 1/4"-20 screw.

Step 3: Use the included Dual-Head Wrench ⑧ to disassemble the M2.5 screws ⑨ on both sides of the cage, and then install and secure the M2.5 screws ⑩ to the cage through the strap slot.



## Specifications

Product Dimensions:  $183.5 \times 160.1 \times 70.3\text{mm}$

Product Weight:  $266\text{g} \pm 5\text{g}$

Material(s): Aluminum Alloy