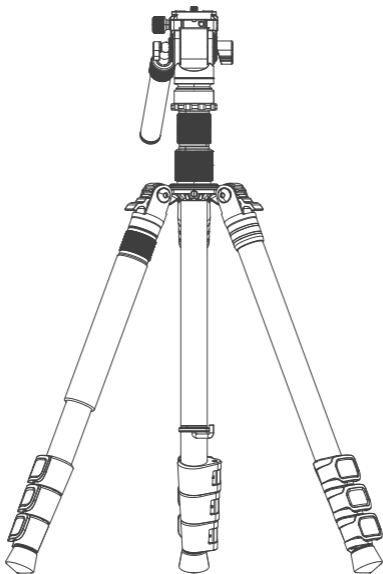


SmallRig



Travel Video Tripod Kit

User Manual

Thank you for purchasing SmallRig's products.

Warnings

- Do not exceed the specified load capacity.
- Make sure to lock and keep safe when operating the tripod.
- Do not use a tripod when the temperature is lower than minus 20 degrees or higher than 65 degrees. Please clean the tripod when it is getting dirty or wet, do not use it in the sea.
- Do not expose product under direct sunshine or high temperature for a long time.
- Make sure all devices (e.g. cameras) were taken down from the tripod before transportation.
- Keep the tripod and all accessories clean before packing for storage.
- Unless necessary, the equipment does not need to be lubricated regularly. Please use the standard lube only if needed.
- To ensure safety, do not connect the tripod with any power supply.

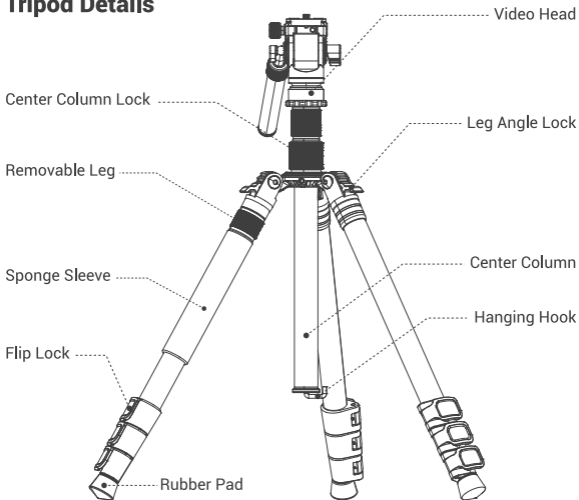


Please do not disassemble the product ,if you have any question, please contact the seller to apply after-sales service.

In the Box

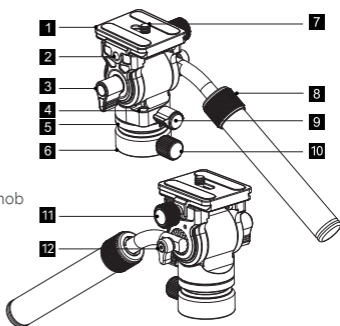
- | | |
|-----------------|-----|
| 1. Tripod Kit | × 1 |
| 2. Carrying Bag | × 1 |
| 3. User Manual | × 1 |

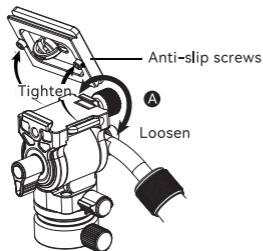
Tripod Details



Video Head Details

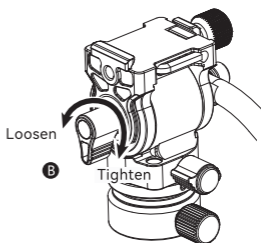
- 1 Quick release plate
- 2 1/4"-20 threaded hole
- 3 Up & down locking knob
- 4 Spirit level
- 5 Balance base
- 6 Base
- 7 1/4"-20 screw
- 8 Handle telescopic locking knob
- 9 Panoramic locking knob
- 10 Balance base locking knob
- 11 Platform locking knob
- 12 Grip handle angle adjusting locking knob





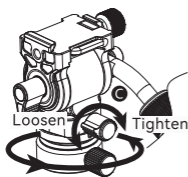
A. Platform locking knob

After loosen the platform locking knob, align the quick release plate in correct position, then lock the locking knob.



B. Up & down locking knob

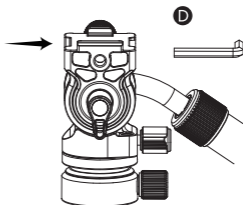
After loosen the locking knob, to ensure the platform can be fixed in the any up & down angle, then can lock the locking knob.



360° horizontal rotation

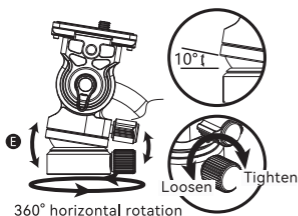
C. Panoramic locking knob

After loosen the panoramic locking knob, ball head can be in a 360° rotation.



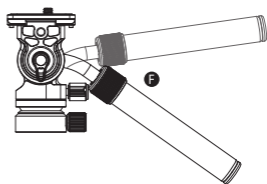
D. Wrench

Gently push the arrows part, can take out the hidden wrench.



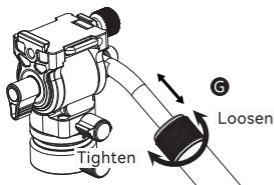
E. Balance base locking knob

Loosen the balance base locking knob, can freely adjust the balance base angle.



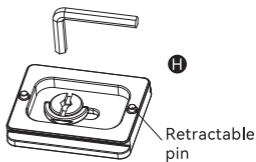
F. Grip handle

After loosen the angle adjust locking knob, can freely adjust the grip angle, then lock the locking knob.



G. Handle telescopic locking knob

Loose handle telescopic locking knob, the handle can be telescopic.



H. Quick release plate

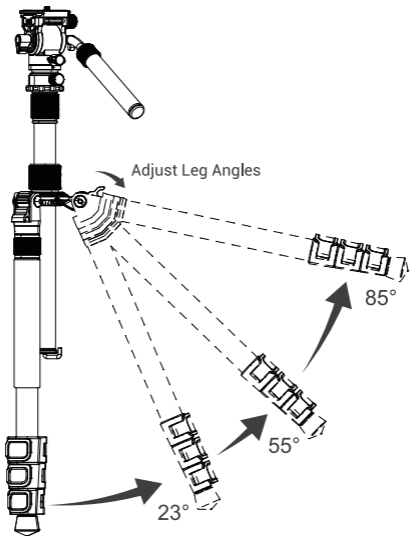
Can freely adjust the camera screw with the free wrench.

Specifications

| Model | Base Max D | Width | Height | Depth | up and down angle | Weight | Max.Load |
|-------|------------|--------|--------|--------|-------------------|---------|----------|
| CH20 | ø37mm | 78mm | 88mm | 200mm | 90 degrees down | 0.36kg | 4kg |
| CH20 | ø1.45in | 3.07in | 3.46in | 7.87in | 55 degrees up | 0.79lbs | 8.8lbs |

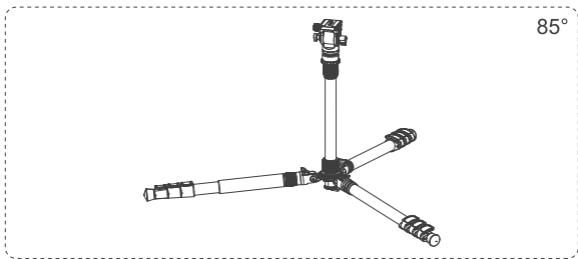
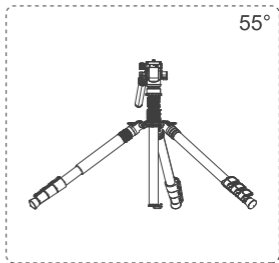
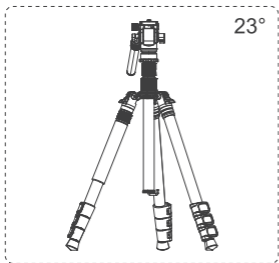
* To improve the products, if any changes in design / specification / parameter, please refer to the real product.

Adjust Leg Angles



For stable support when shooting on an uneven surface, or for low-angle shots, each leg can be adjusted to 3 preset angles. To set the leg angles:

1. Press outward the leg angle lock
2. Set the leg angle to one of the three preset positions.
3. Press inward the leg angle lock to secure the angle setting.



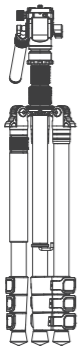
Tips

- Please remove camera from the tripod before moving the tripod to other locations for shooting to avoid any damage to the camera, as violent shaking may break the camera screw thus break the camera, especially the camera with telephoto lens.
- Extend the tripod legs in the order of from max tube to min tube, while fold the legs in the order of from min tube to max tube.

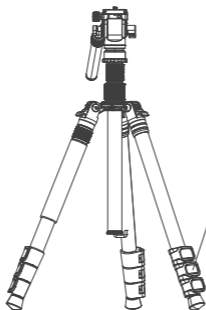


Spread Tripod Legs

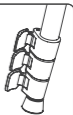
①



②



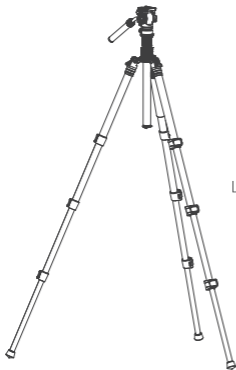
Pull open
the flip lock



Pull out legs

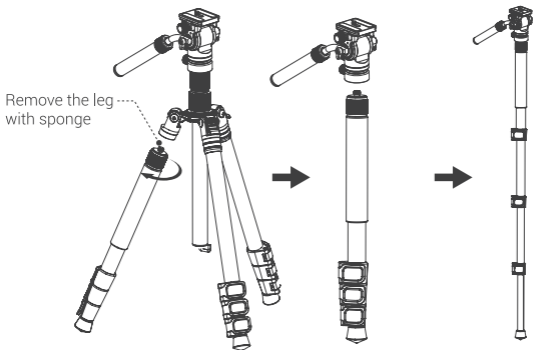


③



Lock the flip lock to secure legs

Convert to Monopod



Install Tripod Head

