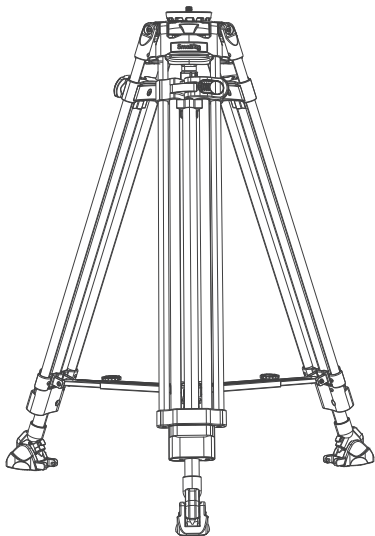


SmallRig



Heavy-Duty Carbon Fiber Tripod

User Manual

Thank you for purchasing SmallRig's product.

Warnings



Ensure that all fasteners are tightened and safety catches engaged during work to prevent accidental damage or injury.



Do not use the product in temperatures below -20°C or above $+70^{\circ}\text{C}$. Contact with seawater is not recommended and may cause serious damage.



Do not leave the product exposed to high temperatures for long periods without protection, e.g. in a car at hot temperatures.



Ensure that the product is kept out the reach of children. Use it with extreme caution in hazardous locations.



The load capacity specified in the specifications must not be exceeded.



Do not scrub the spirit level, precision may be lost.



When transporting, remove photographic equipment to prevent it from falling out.



Do not use lubricants. Regular lubrication is not required.



To be on the safe side, do not use or store the product near electrical power sources and chemical substances.

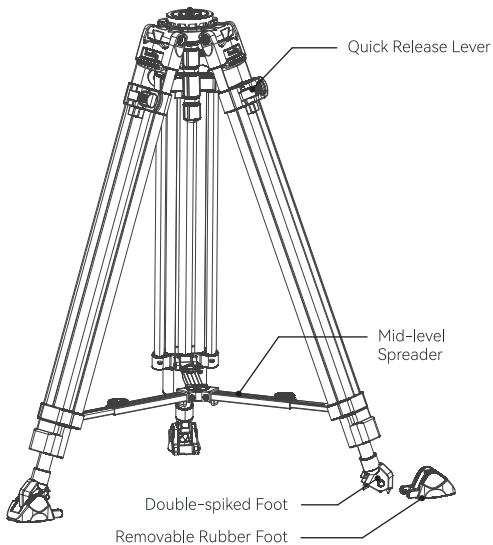


After use in wet, dirty or sandy environments, it is recommended to clean and dry the product with a soft cloth. Dirt, dust and sand in all closures and threads should be removed after use. Clean only with mild detergent or alcohol.



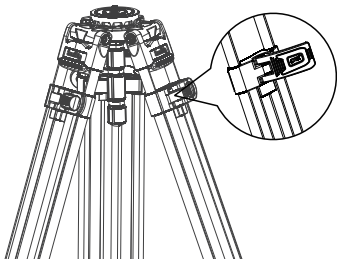
Please do not disassemble the product. If you have any question, please contact the seller to apply after-sales service.

Location of Components



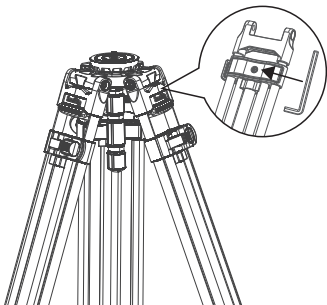
Extending Tripod Legs

Lift up the leg tube flip locking lever to loosen the leg tube. Adjust the height to the ideal working condition, and then press down the flip locking lever to lock the leg tube tight for use.

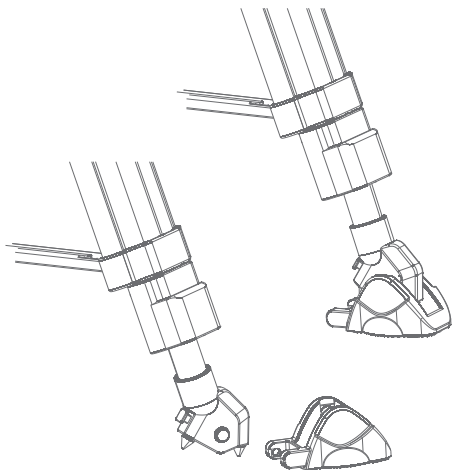


Adjusting the Locking Force

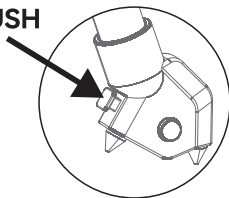
If the telescopic leg extensions slip even with the flip locking lever closed, the locking force will need to be adjusted. Release the flip locking lever, then turn the screw clockwise using the provided Allen Wrench. Normally a half of a turn will be sufficient to achieve the correct locking tension.



Double-spiked Foot



PUSH



To use the nail, press the button, and remove the rubber foot from the nail.