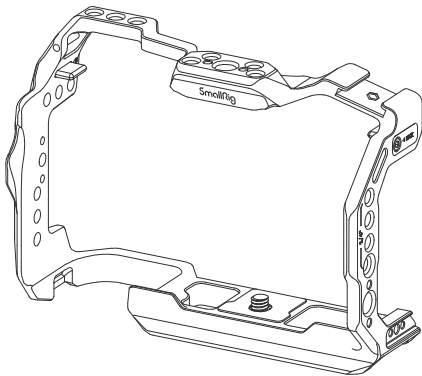


SmallRig



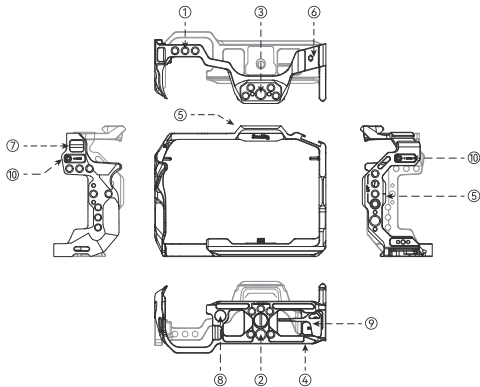
## Cage for Canon EOS R6 Mark II

User Manual

# Foreword

Thank you for purchasing SmallRig's product.

## Product Introduction



① 1/4"-20 Threaded Hole

② 3/8"-16 Threaded Hole

③ ARRI 3/8"-16 Locating Hole

④ Arca-Swiss Quick Release Plate

⑤ NATO Rail

⑥ Cold Shoe Mount

⑦ Strap Slot

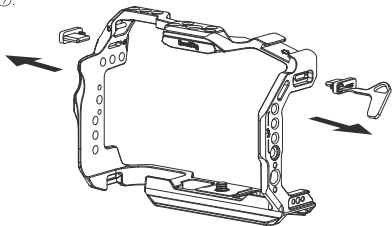
⑧ QD Socket

⑨ Dual-Head Wrench

⑩ Side Lock Adapter

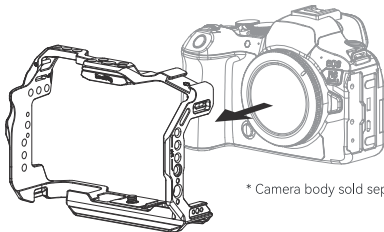
## Installation Instruction

1. Remove the two side lock adapters ⑩ on the cage with an included dual-head wrench ⑨.



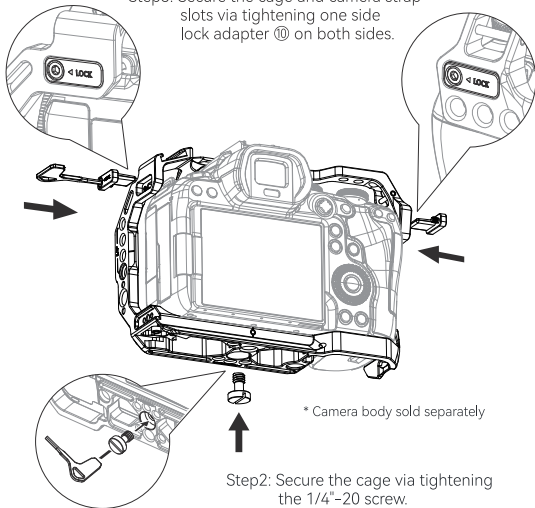
### 2. Cage Installation

Step1: Put the camera into the cage from back to the front.



\* Camera body sold separately

Step3: Secure the cage and camera strap slots via tightening one side lock adapter ⑩ on both sides.



## Specifications

Compatibility	Canon EOS R6 Mark II
Product Dimensions	152.5 × 64.0 × 116.5mm
Product Weight	172.0g ± 5.0g
Material(s)	Aluminum Alloy