

SmallRig



Modular Follow Focus F60

模块化跟焦器F60

User Manual / 用户手册

Catalogue / 目录

- 01 What's Included
包装清单
- 02 Two Methods to Adjust Focus
两种驱动镜头跟焦方式
- 03 Optional Accessories
可选配件ID
- 03 Palm Support Attachment
手托安装
- 04 15mm Quick Release Arm
15mm摇臂安装
- 04 Silicone Gear Installation
硅胶齿轮安装
- 05 Preparation Before Attaching the Follow Focus Onto the Cage
跟焦器安装于拓展框前准备
- 06 Side / Top Mounting the Follow Focus
侧面-顶部安装跟焦器
- 07 Easily Adjust the Mounting Method According to the Lens
根据镜头合理调整安装方式
- 08 Adjustable A / B Stop Mechanism
AB挡点切换
- 08 Changing Gear Mounting From the Right to Left Side
齿轮安装左右两边操作
- 09 Damping Adjustment
阻尼调节操作
- 09 Forward / Reverse Rotation Switching
正反转切换操作
- 10 Marker Ring Replacement Procedure
更换标记环操作
- 11 Dual Rod Clamp Installation and Adjustment
双管管夹安装与调节

Thank you for purchasing SmallRig product. For your and the item's safety, please read this product manual carefully and keep it well for future reference.

Foreword

Thank you for purchasing SmallRig's product.

Warnings

- Please read this User Manual carefully.
- Please keep this User Manual. Always keep this User Manual
- When passing the products on to the third party. Heed all warnings and follow all instructions in this User Manual.

Intended Use

- The user has read the instructions of this manual.
 - The user is using the product within the operating conditions and limitations described in this User Manual.
 - "Improper use" means using the products other than as described in these instructions or under operating conditions which differ from those described herein.
-

感谢您购买SmallRig产品，为了保障使用者的安全以及防止不当使用导致产品损坏，请认真阅读本用户手册，并妥善保管，以备随时查阅。

前言

感谢您购买 SmallRig 产品。

重要提示

- 使用本产品之前，请仔细阅读用户手册。
- 请妥善保管用户手册，将产品交给他人使用时，请务必附带本用户手册。
- 请注意所有警告提示并遵循使用用户手册内的所有指令。

设备使用规范

- 请仔细阅读本用户手册，特别是“重要提示”部分。
- 请在本用户手册规定的环境条件下使用或保存本产品。
- 如不按照本用户手册使用产品，或不遵守规定的工作和保存条件，将被视为违规使用。

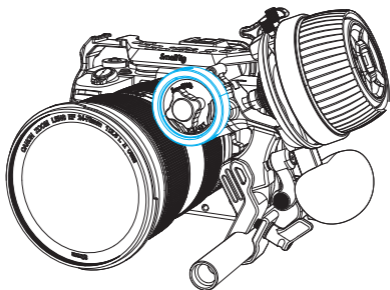
What's Included / 包装清单



- | | | | |
|--|-----|------------------------------|-----|
| ① Modular Follow Focus F60
模块化跟焦器 F60 | × 1 | ⑥ Snap-on Gear Ring
扣式跟焦环 | × 1 |
| ② Quick Release Arm
15mm摇臂 | × 1 | ⑦ Palm Support
手托 | × 1 |
| ③ Silicone Gear
硅胶齿轮 | × 1 | ⑧ Allen Wrench
六角扳手 | × 1 |
| ④ Φ 15mm Rod
Φ 15mm 管 | × 1 | ⑨ Carrying Bag
收纳包 | × 1 |
| ⑤ Rod Clamp (with NATO rail)
管夹 (带滑条) | × 1 | | |

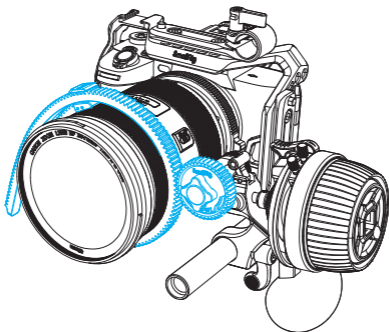
Two Methods to Adjust Focus / 两种驱动镜头跟焦方式

①



Friction Driven / 摩擦驱动

②



Gear Driven / 齿轮驱动

Optional Accessories / 可选配件ID



Rod Clamp / 双管管夹

4151



Quick Release Plate / 阿卡快装板

3853



Silicone Gear / 硅胶齿轮

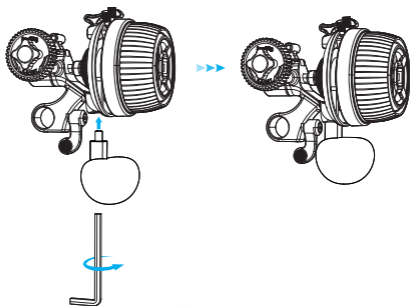
3852



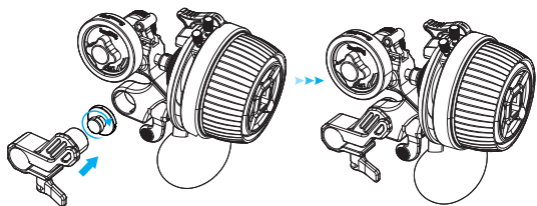
Focus Adapter Part / 跟焦转接件

3851

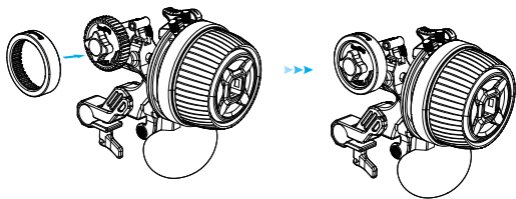
Palm Support Attachment / 手托安装



15mm Quick Release Arm / 15mm摇臂安装



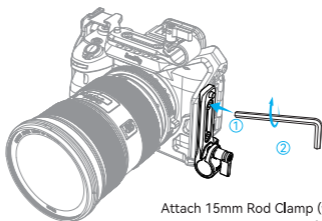
Silicone Gear Installation / 硅胶齿轮安装



Preparation Before Attaching the Follow Focus Onto the Cage

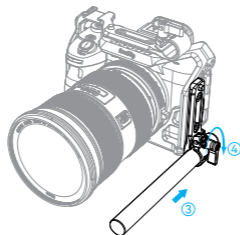
跟焦器安装于拓展框前准备

Step 1 / 步骤1



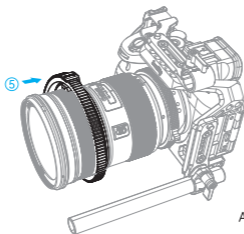
Attach 15mm Rod Clamp (with NATO Rail)
安装管夹(带滑条)

Step 2 / 步骤2



Insert 15mm Rod
安装15mm管

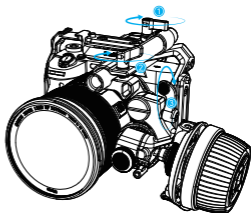
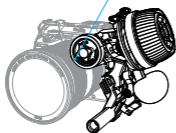
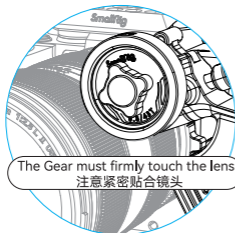
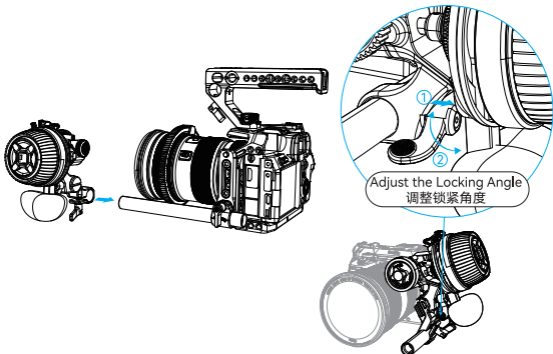
Step 3 / 步骤3



Attach Snap-on Gear Ring
安装扣式跟焦环

Side / Top Mounting the Follow Focus

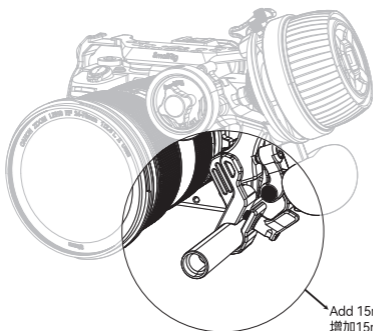
侧面-顶部安装跟焦器



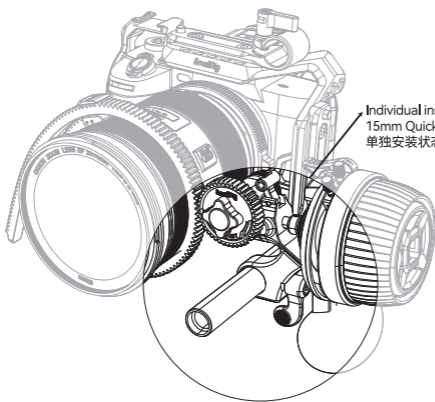
Steps for Mounting the Follow Focus on Top
顶部安装跟焦器步骤说明

Easily Adjust the Mounting Method According to the Lens

根据镜头合理调整安装方式

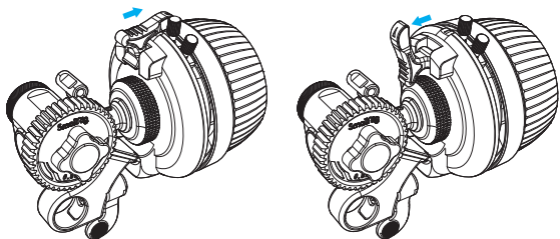


Add 15mm Quick Release Arm
增加15mm摇臂状态



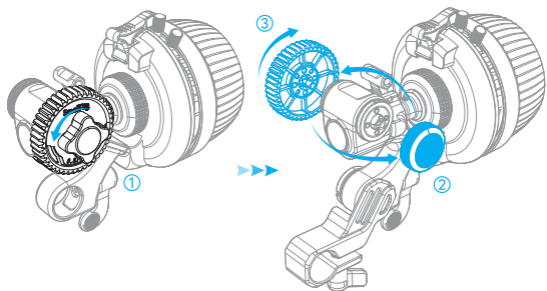
Individual installation status without
15mm Quick Release Arm
单独安装状态

Adjustable A / B Stop Mechanism / A / B挡点切换

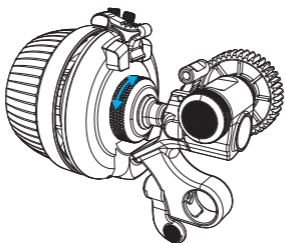


Changing Gear Mounting From the Right to Left Side

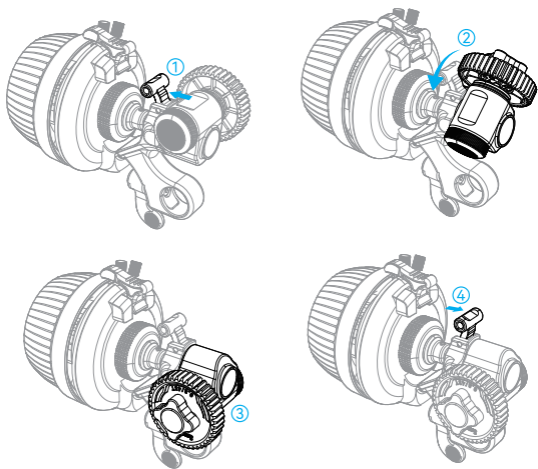
齿轮安装左右两边操作



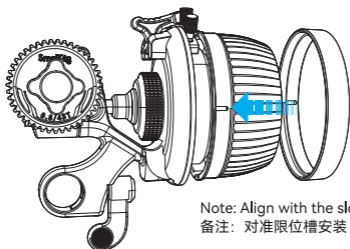
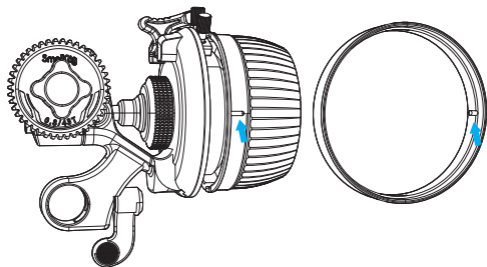
Damping Adjustment / 阻尼调节操作



Forward / Reverse Rotation Switching / 正反转切换操作



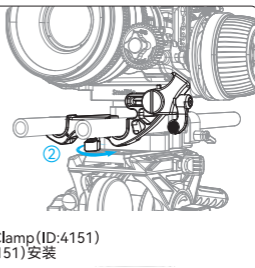
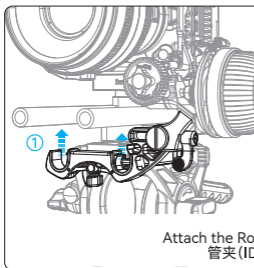
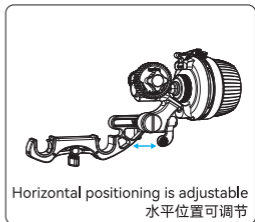
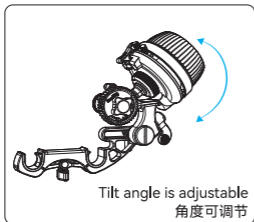
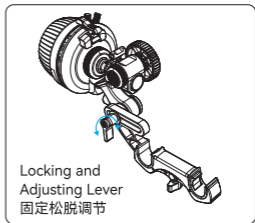
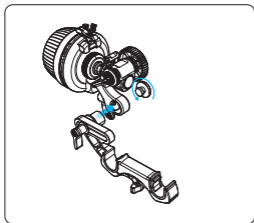
Marker Ring Replacement Procedure / 更换标记环操作



Note: Align with the slot
备注：对准限位槽安装

Dual Rod Clamp Installation and Adjustment

双管管夹安装与调节



Attach the Rod Clamp (ID:4151)
管夹 (ID:4151) 安装

Service Warranty

Please keep your original receipt and guarantee card. Be sure the dealer has written on it the date of purchase and SN of the product. These are required for warranty service.

After-sale warranty terms:

1. 7 Days DOA Return Policy: Within 7 days from the date of the package receipt, return or replacement can be done if the item received is malfunctioning or physical damaged (not caused by human abused), return shipping cost will be on SmallRig's charge.
2. SmallRig products are entitled to warranty services as of the date of payment.
 - Electronic products: 1-year warranty, 1-year free warranty service.
 - Non-electronic products: 2-year warranty, 2-year free warranty service.

Note: In case of any conflict between our warranty period policy and applicable laws and regulations of the country/region where the products are sold, the latter shall prevail.

This warranty does not cover:

1. Defect caused by users' violation of the "Warnings" and "Intended Use".
2. The product identification or SN label is removed or defaced in any way.
3. Product damage caused by problems not attributable to the quality of the products such as improper use of the products.
4. Product damage caused by unauthorized modification, disassembly, repair and other acts.
5. Product damage caused by fires, floods, lightning and other force majeure factors.

Warranty Mode:

For the products within the scope of warranty, SmallRig will repair or replace them on the basis of specific failures; the repaired/replaced products/parts are entitled to the remaining part of the original warranty period.

Contact Information:

- You're advised to contact the online customer service personnel of corresponding shopping platform and submit a repair service application.
- You may also apply for repair service through SmallRig's service email.

Service Email: support@smallrig.com

For more support information: www.smallrig.com/support

Guarantee Card

ID No.	
Item Name	
Purchase Date	
User Name	
Mobile	
Address	
Receipt	

EC	REP	Prolinx GmbH Brehmstr.56,40239 Duesseldorf Germany eu@eulinx.eu
----	-----	---

UK	REP	Prolinx Global LTD 27 Old Gloucester Street London,WC1N3AX, UK eu@eulinx.eu
----	-----	---

Manufacturer: Shenzhen Leqi Network Technology Co., Ltd.

Add: Rooms 103, 501 and 601, Building 5, Fenghe Industrial Park, Nos. 1301-50 Guanguang Road, Longhua District, Shenzhen, Guangdong, China.

Signor: Shenzhen LC Co., Ltd.

Add: Rooms 602, Building 5, Fenghe Industrial Park, No. 1301-50 Guanguang Road, Xinlan Community, Guanlan Street, Longhua District, Shenzhen, Guangdong, China.

CE RoHS



Made in China
www.smallrig.com

保修条款

请保留您的原始购买单据及保修卡,同时包含您的购买日期、产品序列号等,这些资料质保服务时均需要提供。

售后质保条款

1. “七天无理由包退 / 换”:自签收之日起7日内,用户可以选择换货 / 退货。

2. SmallRig产品自下单付款之日起享有质保服务。

- 电子产品:1年质保,1年免费保修服务。
- 非电子产品:2年质保,2年免费保修服务。

注:若销售地国家或地区的适用法律法规有冲突的,以销售地国家或地区有关质保期的法律法规为准。

质保无效说明:

1. 当用户违反本用户手册中“重要提示”“设备使用规范”任何一条导致的质量失效,不在质保范围。
2. 产品序列号标识已经被撕毁或无法辨识,不在质保范围。
3. 产品使用不当等非产品本身质量问题,而造成的产品损坏,不在质保范围。
4. 非官方指导的私自改装、拆解、维修等行为而造成的损坏,不在质保范围。
5. 因火灾、水灾、雷击等不可抗力造成的产品损坏,不在质保范围。

维修方式:

- 属于质保范围的,SmallRig根据产品具体的故障对产品进行维修或更换;维修后的产品 / 部件享受原有保修期的剩余时长。

联系方式:

- 建议您优先前往相应购买平台联系在线客服,提出产品维修申请。
- 您也可以通过SmallRig服务邮箱申请维修服务。

服务邮箱: support@smallrig.com

获取更多的服务信息: www.smallrig.com/support

保修卡

ID编号	
产品名称	
购买日期	
用户姓名	
用户电话	
用户地址	
购买单据	

制造商: 深圳市乐其网络科技有限公司

地址: 中国广东省深圳市龙华区观澜街道新澜社区观光路 1301-50 号丰和工业园厂房 5 栋 103、501、601

委托商: 深圳市乐长科技有限公司

地址: 中国广东省深圳市龙华区观澜街道新澜社区观光路1301-50号丰和工业园厂房5栋602

执行标准: GB/T 26572-2011

www.smallrig.com

中国制造

For more methods, please scan the code for details.

更多使用方法, 请扫码了解详情



operating instructions



中文操作说明