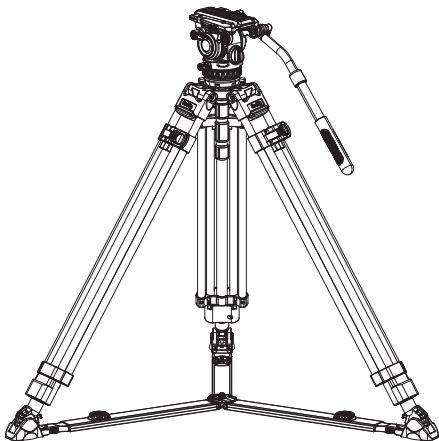


SmallRig



Professional Fluid Head Tripod Kit AD-Pro 8

Operating Instruction

Thank you for purchasing SmallRig's product.

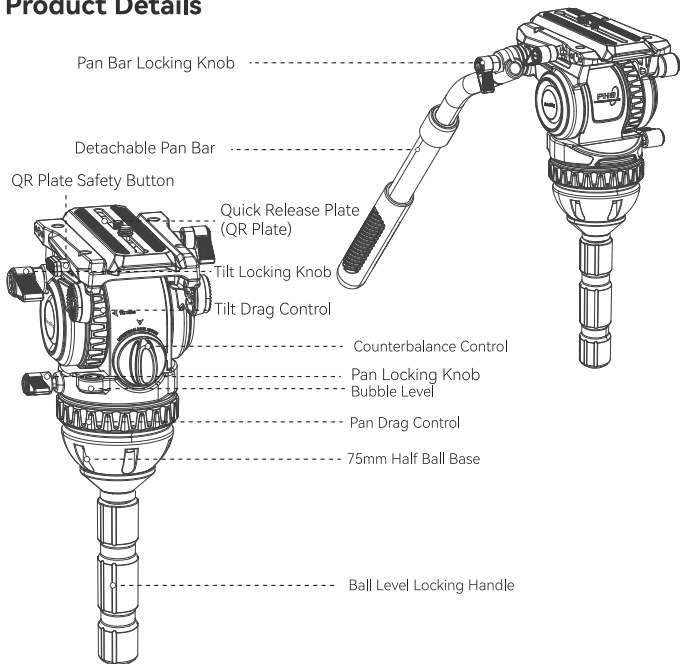
Warnings

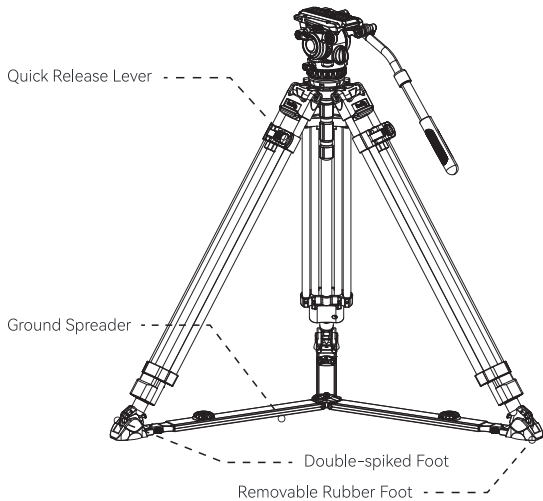
- Please read this User Manual carefully.
 - Please read the instruction manual carefully and follow all safety warnings.
 - Risk of finger entrapment. When removing the head from the tripod, take care the Knob / Lever does not snap closed on fingers.
- ! WARNING** Risk of finger entrapment. Do not place fingers between the platform and the body of the fluid head.
- ! WARNING** Do not fit a head to a tripod that cannot support the combined mass of the head and its full payload.
- ! WARNING** Avoid unintentionally lifting the Knob / Lever above the detent as the head will be released suddenly from the tripod.
- ! WARNING** Always lock the Tilt Locking Knob and Pan Locking Knob when the
- ! WARNING** mounted but not in use or when levelling the fluid head on the tripod.
- ! WARNING** Hold the camera securely when mounting or dismounting from the fluid head and when making adjustments to the tripod height or footprint.
- ! WARNING** Always hold the pan bar when making adjustments to the counterbalance or camera position. Do not use the pan bar to lift or move the tripod and fluid head.
- ! WARNING** Do not attach heavy items to the pan bar.
- ! WARNING** Always remove the camera before transporting.

In the Box

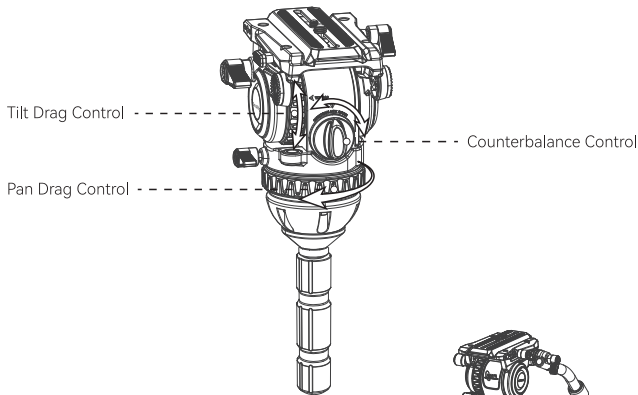
Tripod Kit	× 1	Carrying Bag	× 1
Mid-level Spreader for Tripod	× 1	Smartphone Holder	× 1
Ground Spreader for Tripod	× 1	User Manual	× 1
Allen Wrench	× 1		

Product Details



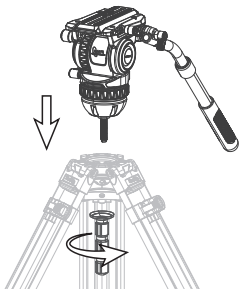


Tilt & Pan Drag Settings and Counterbalance Control



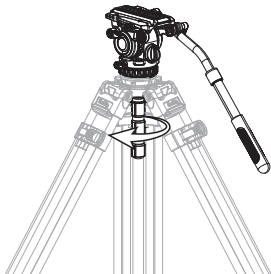
Installing the Head

Place the ball of the head into the bowl of the tripod. Level the head via the bubble level and secure the ball locking handle onto the bottom of the head on the underside of the tripod bowl



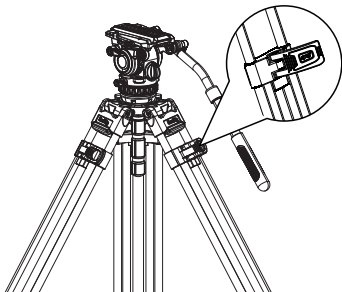
Removing the Head

Lock the pan locking lever, then grasp the pan bar and twist the head counterclockwise



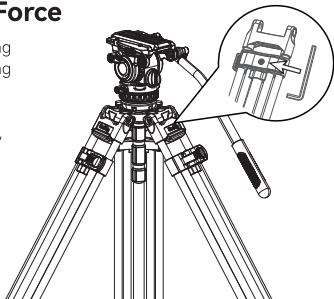
Extending Tripod Legs

Lift the leg and flip the Quick Release Lever open to loosen the leg. Adjust the height according to your needs and lock the Quick Release Lever



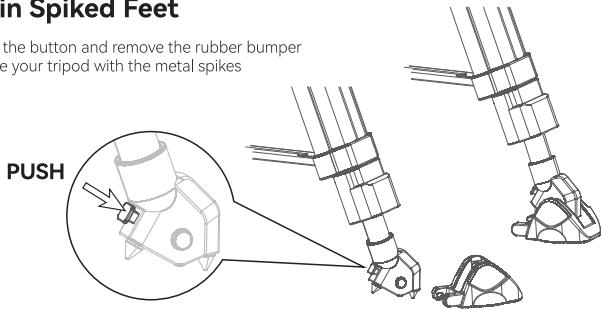
Adjusting the Locking Force

If the leg extensions slip even after locking the Quick Release Lever, adjust the locking force. To do this, first release the Quick Release Lever, then use the Allen Wrench to tighten the screw clockwise. Usually, just half a turn is enough to achieve the correct locking tension.



Twin Spiked Feet

Push the button and remove the rubber bumper to use your tripod with the metal spikes.



Specifications

Product Dimensions	990.0 × 165.0 × 165.0mm / 39.0 × 6.5 × 6.5in
Product Weight	5.7 ± 0.1kg / 12.6 ± 0.2lb
Operating Altitude	58cm ~ 196cm / 22.8 ~ 77.2in
Maximum Height	196cm / 77.2in
Minimum Height	58cm / 22.8in
Closed Length	97cm / 38.2in
Bowl Adaptor Diameter	75mm / 2.9in
Tilt Range	+90° / -65°
Counterbalance Payload	1.0 ~ 8.0kg / 2.2 ~ 17.6lb
Counterbalance	6-Step (1, 2, 3, 4, 5, 6)
Tilt Control	4-Step (0, 1, 2, 3)
Pan Control	4-Step (1, 2, 3, 4)
Load-Bearing Capacity	8.0kg / 17.6lb
Handle Length	35.0 ~ 53.0cm / 13.8 ~ 20.9in
Material(s)	Carbon Fiber, Aluminum Alloy, POM, Stainless Steel, Silicone

To counterbalance your fluid head:

- Attach the QR plate to the camera and level the fluid head
- Set the pan and tilt drag to zero and lock them. Set the counterbalance to the lowest level
- Mount the camera on the platform, determine the position of the balance point, and align its center of gravity with the center of the fluid head
- Carefully unlock the tilt lock and ensure that the camera is balanced properly. Adjust the quick release plate if necessary
- Adjust the counterbalance knobs after balancing the camera to ensure it stays in place, regardless of the tilt angle
- To check if your camera is properly balanced, tilt the head by 30 degrees in both directions and release it. If the camera stays in place when released, it is balanced correctly. However, if the camera moves upwards, it means the counterbalance is set too high and should be lowered. Similarly, if the camera moves downwards, it means the counterbalance is set too low and should be raised
- If the camera remains stable in one direction but moves slightly in the other, it may indicate that the camera is not balanced centrally. To adjust this, slide the camera plate backwards and forwards until the camera remains stable in both directions
- Adjust the drag according to your needs. Set it to zero for faster panning and higher for slower, steadier pan or tilt

Service Warranty

Please keep your original receipt and guarantee card. Be sure the dealer has written on it the date of purchase and SN of the product. These are required for warranty service.

After-sale Warranty Terms

SmallRig products are entitled to warranty services as of the date of payment.

- Electronic products (except V mount battery): 1-year warranty.
- V mount battery: 2-year warranty.
- Non-electronic products: 2-year warranty.

Note: In case of any conflict between our warranty period policy and applicable laws and regulations of the country / region where the products are sold, the latter shall prevail.

This Warranty Does Not Cover

1. If users fail to adhere to the "Operating Instruction" or any "Warnings" stated in the user manual, resulting in a quality failure, it falls outside the scope of warranty coverage.
2. The product identification or SN label is removed or defaced in any way.
3. Product damage caused by problems not attributable to the quality of the products such as improper use of the products.
4. Product damage caused by unauthorized modification, disassembly, repair and other acts.
5. Product damage caused by fires, floods, lightning and other force majeure factors.

Warranty Mode

- For the products within the scope of warranty, SmallRig will repair or replace them on the basis of specific failures; the repaired / replaced products / parts are entitled to the remaining part of the original warranty period.

Contact Information

- You're advised to contact the online customer service personnel of corresponding shopping platform and submit a repair service application.
- You may also apply for repair service through SmallRig's service email.
Service Email: support@smallrig.com

Guarantee Card

ID No.	
Item Name	
Purchase Date	
User Name	
Mobile	
Address	
Receipt	

EC	REP	Prolinx GmbH Brehmstr.56,40239 Duesseldorf Germany eu@eulinx.eu
----	-----	---

UK	REP	Prolinx Global LTD 27 Old Gloucester Street London, WC1N3AX, UK eu@eulinx.eu
----	-----	--



Manufacturer: Shenzhen Leqi Innovation Co., Ltd.

Add: Rooms 103, 501 and 601, Building 5, Fenghe Industrial Park, Nos. 1301-50 Guanguang Road, Longhua District, Shenzhen, Guangdong, China.

Consignor: Shenzhen LC Co., Ltd.

Add: Rooms 602, Building 5, Fenghe Industrial Park, No. 1301-50 Guanguang Road, Xinlan Community, Guanlan Street, Longhua District, Shenzhen, Guangdong, China.



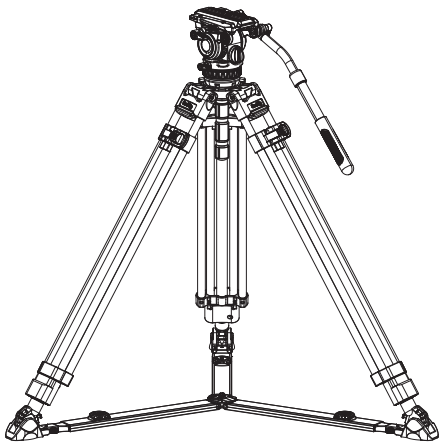
ETICHETTATURA AMBIENTALE
ENVIRONMENTAL LABELING

Scan the QR code for more information
扫一扫获取更详细的说明书信息



Made in China

SmallRig



专业动平衡液压云台三脚架套件 AD-Pro 8

操作指南

感谢您购买 SmallRig 产品。

重要提示

- 使用本产品之前，请仔细阅读用户手册。
- 请注意所有警告提示并遵循使用用户手册内的所有指令。

警告! 夹点、手指或手受伤，小心操作。

警告! 请勿将云台安装到无法支撑云台及其全部有效负载的总重量的三脚架上。

警告! 夹住手指的风险。不要将手指放在平台和液压云台之间。

警告! 当相机已安装但未使用时或调平三脚架上的液压云台时，请始终锁定俯仰和水平角度锁紧旋钮。

警告! 在安装或拆卸液压云台以及调整三脚架高度或占地面积时，请牢牢握住相机。

警告! 调整平衡或摄像机位置时，请始终握住摇摄手柄。请勿使用摇摄手柄抬起或移动三脚架和液压云台。

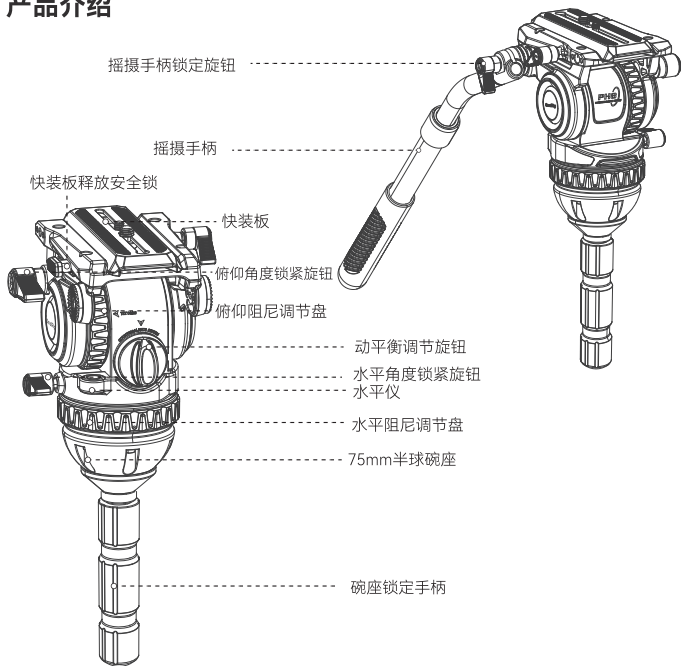
警告! 请勿在摇摄杆上安装重物。

警告! 运输前务必取下相机。

包装清单

三脚架套件	× 1
三脚架快拆中置连接器	× 1
三脚架快拆地置连接器	× 1
六角扳手	× 1
收纳包	× 1
手机夹	× 1
用户手册	× 1

产品介绍

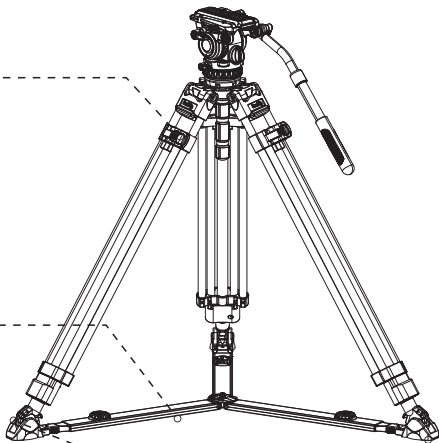


一键锁紧扳扣

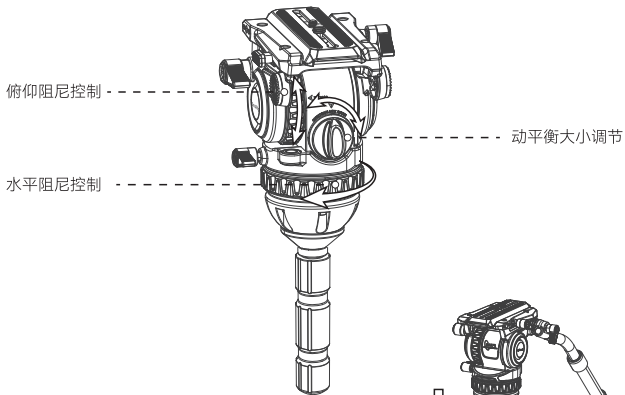
地置连接器

双钉脚

可拆卸脚垫

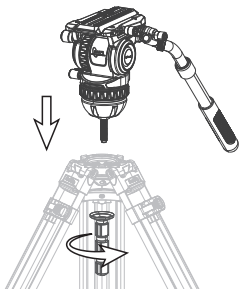


俯仰水平阻尼调节与动平衡调节



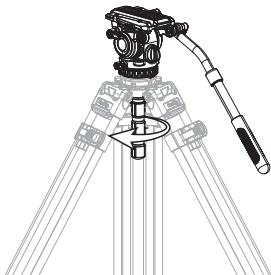
安装液压云台

将云台的球体放入三脚架的碗中。通过气泡水平仪将云台调平，并将球体锁定手柄固定在三脚架碗底的云台底部。



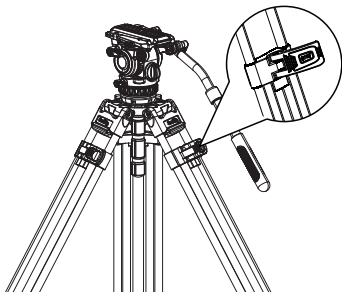
拆卸云台

拧紧水平锁紧旋钮，然后握住把手，逆时针旋转云台直至脱落。



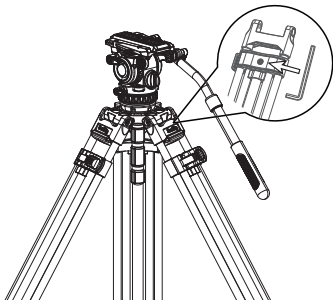
三脚架设置

抬起脚管，松开一键锁紧扳扣，将管脚高度调整到理想的工作状态，然后锁紧扳扣，将脚管锁紧，即可使用。



调整锁紧力

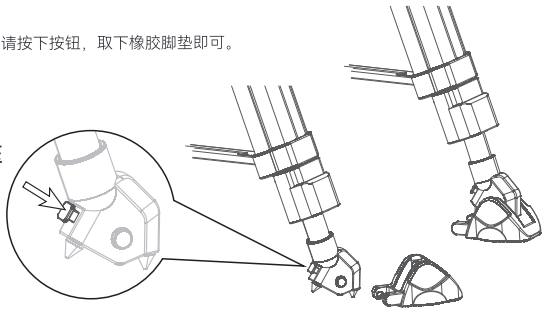
扳扣在锁紧状态下，脚管仍然出现滑动，则需要调节扳扣锁紧力。拨开扳扣后，使用随附的扳手顺时针拧动图中的螺丝。通常旋转半圈便可获得合适的锁紧力。



双钉脚

要使用脚钉，请按下按钮，取下橡胶脚垫即可。

按压



产品参数

产品尺寸	990.0 × 165.0 × 165.0mm / 39.0 × 6.5 × 6.5in
产品重量	5.7 ± 0.1kg / 12.6 ± 0.2lb
工作高度范围	58cm ~ 196cm / 22.8 ~ 77.2in
最高高度	196cm / 77.2in
最低高度	58cm / 22.8in
收纳长度	97cm / 38.2in
碗座规格	75mm / 2.9in
俯/仰角度	+90° / -65°
动平衡反弹力	1.0 ~ 8.0kg / 2.2 ~ 17.6lb
动平衡档位	6档 (1, 2, 3, 4, 5, 6)
俯仰阻尼档位	4档 (0, 1, 2, 3)
水平阻尼档位	4档 (1, 2, 3, 4)
最大承重	8.0kg / 17.6lb
手柄长度	35.0 ~ 53.0cm / 13.8 ~ 20.9in
主要材料	碳纤维、铝合金、ABS、不锈钢、硅胶

如何使用云台：

- 将快装板安装到相机上，然后调平液压云台。
- 水平阻尼和俯仰阻尼设置为最小并锁定，动平衡调节调到最小。
- 将相机装在云台上，确定平衡点的位置，并将其重心与液压云台的中心对齐。
- 小心地解开俯仰锁定旋钮，检查相机是否平衡到位。如果没有，前后调节快装板，直到平衡为止。
- 相机基本平衡后，调整动平衡旋钮，调到合适的档位，调整到，俯仰无论在什么角度，都能保持悬停，即可完成平衡调节。
- 应根据您的情况和需要设置相应的阻力。如果需要更快地平移，则将阻力设为零。如果需要缓慢或稳定的计划或倾斜，则将阻力调大一些。

保修条款

请保留您的原始购买单据及保修卡,同时包含您的购买日期、产品序列号等,这些资料质保服务时均需要提供。

售后质保条款

SmallRig产品自下单付款之日起享有质保服务。

- 电子产品(除V口电池): 1年质保。
- V口电池: 2年质保。
- 非电子产品: 2年质保。

注:若销售地国家或地区的适用法律法规有冲突的,以销售地国家或地区有关质保期的法律法规为准。

质保无效说明

1. 当用户违反操作指引或用户手册中“重要提示”任何一条导致的质量失效,不在质保范围内。
2. 产品序列号标识已经被撕毁或无法辨识,不在质保范围。
3. 产品使用不当等非产品本身质量问题,而造成的产品损坏,不在质保范围。
4. 非官方指导的私自改装、拆解、维修等行为而造成的损坏,不在质保范围。
5. 因火灾、水灾、雷击等不可抗力造成的产品损坏,不在质保范围。

维修方式

·属于质保范围的,SmallRig根据产品具体的故障对产品进行维修或更换;维修后的产品/部件享受原有保修期的剩余时长。

联系方式

- 建议您优先前往相应购买平台联系在线客服,提出产品维修申请。
- 您也可以通过 SmallRig 服务邮箱申请维修服务。

服务邮箱:support@smallrig.com

保修卡

ID 编号	
产品名称	
购买日期	
用户姓名	
用户电话	
用户地址	
购买单据	



执行标准: GB/T 26572-2011

LQ-B484-18

中国制造

CE RoHS



制造商: 深圳市乐其创新股份有限公司

地址: 中国广东省深圳市龙华区观澜街道新澜社区观光路 1301-50 号
丰和工业园厂房 5 栋 103、501、601

委托商: 深圳市乐长科技有限公司

地址: 中国广东省深圳市龙华区观澜街道新澜社区观光路 1301-50 号
丰和工业园厂房 5 栋 602