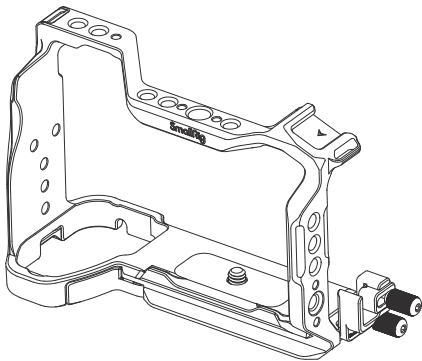


SmallRig



Cage Kit for Sony Alpha 6700

- User Manual -

In order to ensure user's safety and prevent the product damages caused by any improper use, please carefully read the "Warnings" below and properly keep this User Manual for future reference.

Foreword

Thank you for purchasing SmallRig's product.

Warnings

- Please read this User Manual carefully.
- Please keep the user manual properly, and be sure to attach this user manual when handing over the product to others.
- Please heed all warnings and follow all instructions in the owner's manual.

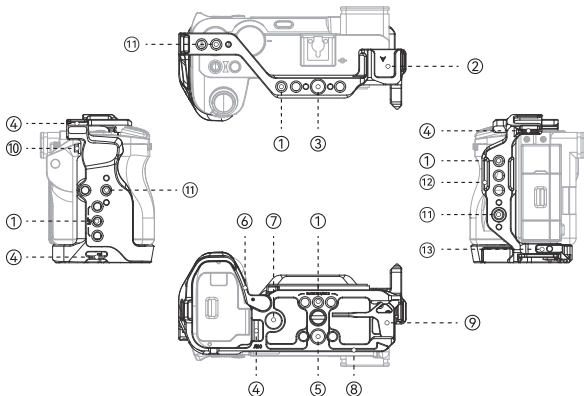
Intended Use

- Please read this User Manual carefully, especially the "Warnings".
- Please use or store the product in the environment mentioned herein.
- It will be regarded as improper use when the users are not correctly following the user manual or using the product under the specific working condition.

In the Box

Cage	× 1
HDMI Cable Clamp	× 1
User Manual	× 1

Product Details



① 1/4"-20 Threaded Hole

② Cold Shoe Mount

③ ARRI 3/8"-16 Locating Hole

④ Wrist / Shoulder Strap Slot

⑤ 3/8"-16 Threaded Hole

⑥ Hinged Arm

⑦ QD Socket

⑧ Arca-Swiss Quick Release Plate

⑨ Dual-Head Wrench

⑩ M2.5 Screw

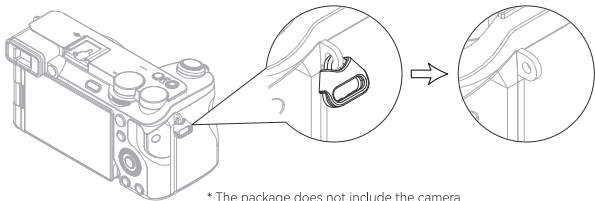
⑪ 1/4"-20 Locating Hole

⑫ NATO Rail

⑬ HDMI Cable Clamp Mounting Hole

Cage Installation Instruction

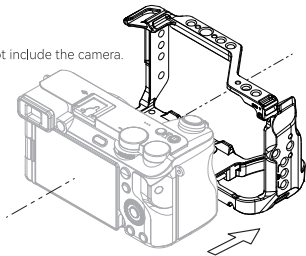
1. Remove the camera lens and the shoulder strap hooks on the right side.



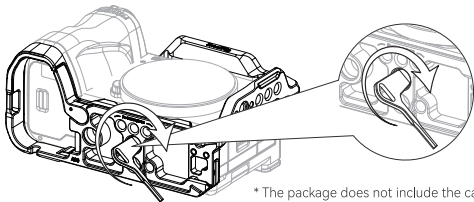
* The package does not include the camera.

2. Install the camera into the cage from back to front.

* The package does not include the camera.

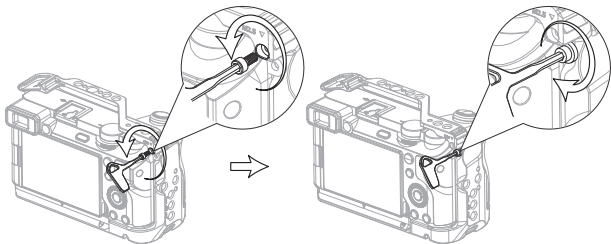


3. Use the Dual-Head Wrench to lock the bottom 1/4"-20 screw.



* The package does not include the camera.

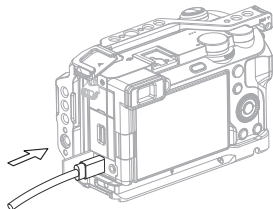
4. Use the Dual-Head Wrench to remove the M2.5 screw on the right side of the cage and lock it through the right shoulder strap hook hole to the cage.



* The package does not include the camera.

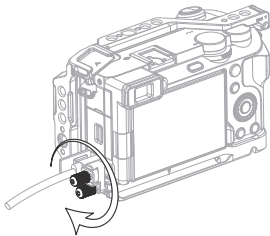
HDMI Cable Clamp Installation Instruction

1. Open the camera HDMI cover and insert the HDMI cable.



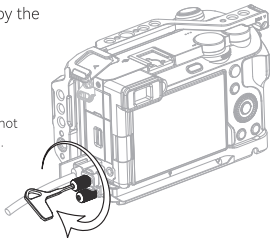
* The package does not include the camera.

2. Attach the HDMI Cable Clamp to the left side of the cage with the thumbscrew and lock the cable in place.



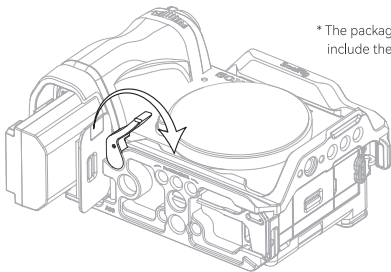
3. The HDMI Cable Clamp can be reinforced by the Dual-Head Wrench.

* The package does not include the camera.



Battery Replacement

The battery can be installed or replaced after opening the Hinged Arm.



* The package does not include the camera.

Compatibility

Sony Alpha 6700

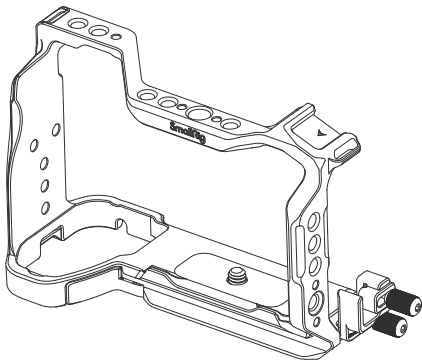
Specifications

Product Dimensions: 139.5 × 91.0 × 62.2mm

Product Weight: 152.0 ± 5.0g

Material(s): Aluminum Alloy, Stainless Steel

SmallRig



索尼 Alpha 6700 拓展框套件

- 用户手册 -

为了保障使用者的安全以及防止不当使用导致产品损坏，请认真阅读本用户手册，并妥善保管，以备随时查阅。

前言

感谢您购买 SmallRig 产品。

重要提示

- 使用本产品之前，请仔细阅读用户手册。
- 请妥善保管用户手册，将产品交给他人使用时，请务必附带本用户手册。
- 请注意所有警告提示并遵循使用用户手册内的所有指令。

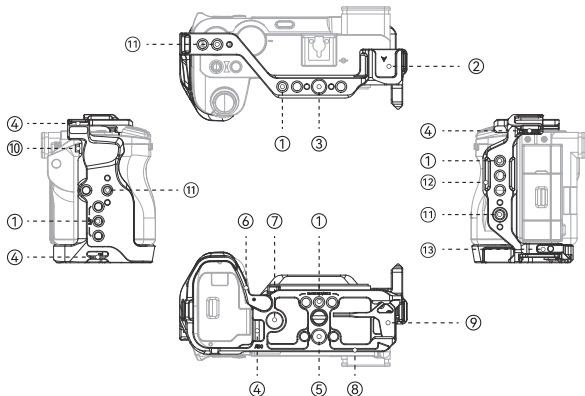
设备使用规范

- 请仔细阅读本用户手册，特别是“重要提示”部分。
- 请在本用户手册规定的环境条件下使用或保存本产品。
- 如不按照本用户手册使用产品，或不遵守规定的工作和保存条件，将被视为违规使用。

包装清单

拓展框	× 1
HDMI 线夹	× 1
用户手册	× 1

产品介绍



① 1/4"-20螺纹孔

② 冷靴

③ 阿莱定位孔

④ 手腕带/肩带接口

⑤ 3/8"-16螺纹孔

⑥ 开合扳手

⑦ QD接口

⑧ 阿卡规格快装板

⑨ 双头扳手

⑩ M2.5螺丝

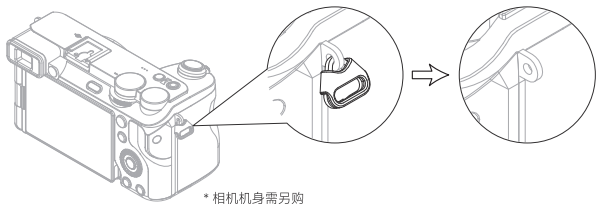
⑪ 1/4"-20定位孔

⑫ 滑条

⑬ HDMI线夹安装孔

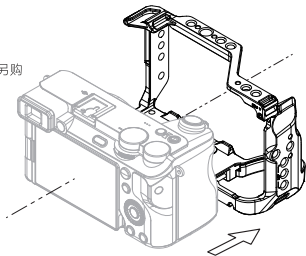
拓展框安装步骤

1. 取下相机镜头和右侧肩带挂钩。

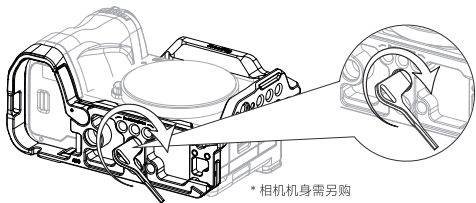


2. 将相机从后往前放入拓展框。

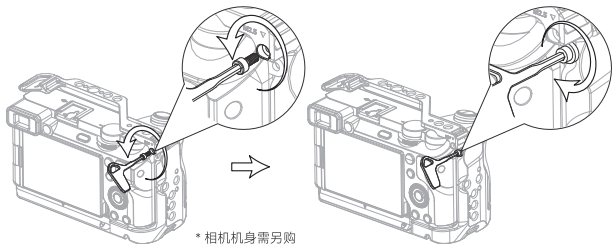
* 相机机身需另购



3. 使用双头扳手固定底部1/4"-20螺丝。

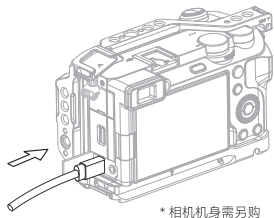


4. 使用双头扳手将拓展框右侧M2.5螺丝取下，并穿过右侧肩带挂钩孔锁紧至拓展框。

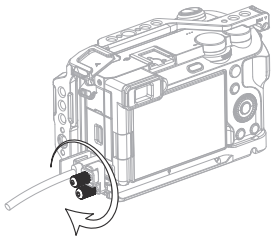


HDMI线夹安装步骤

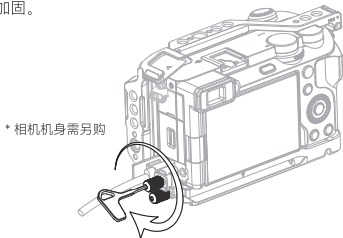
1. 打开相机HDMI保护盖，插入HDMI线。



2. 通过手拧螺丝将线夹安装至拓展框左侧，手拧锁紧线材。

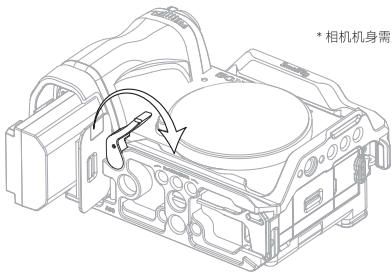


3. 可使用双头扳手对线夹进行二次加固。



电池更换

将开合扳手打开之后即可进行电池的安装或更换。



* 相机机身需另购

适配性

索尼 Alpha 6700

产品参数

产品尺寸：139.5 × 91.0 × 62.2mm

产品重量：152.0 ± 5.0g

主要材料：铝合金、不锈钢