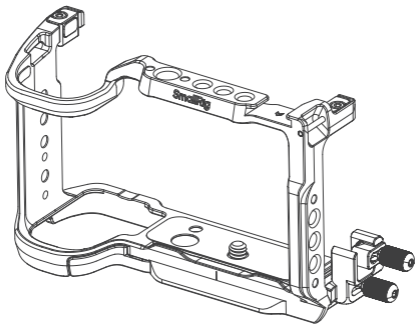


SmallRig



Cage Kit for Sony ZV-E10 II

索尼 ZV-E10 II 拓展框套件

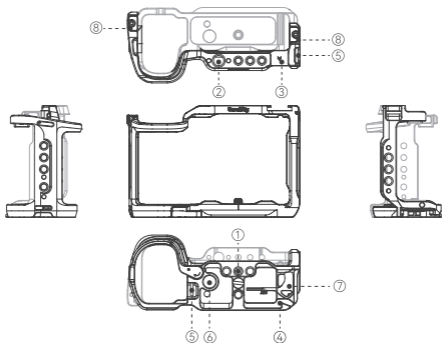
Operating Instruction / 操作指引

- Thank you for purchasing SmallRig's product.
感谢您购买 SmallRig 产品。
- Please read this Operating Instruction carefully.
使用本产品之前，请仔细阅读操作指引。
- Please follow the safety warnings.
请注意所有警告提示并遵循使用操作指引的所有指令。

In the Box / 包装清单

Cage	× 1	HDMI Cable Clamp	× 1
拓展框		HDMI 线夹	

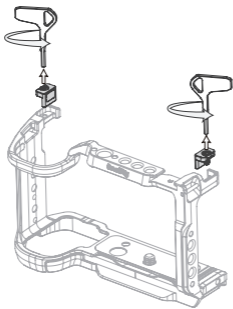
Product Details / 产品介绍



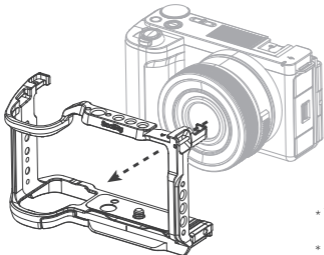
- | | |
|--|-----------------------------|
| ① 1/4"-20 Threaded Hole
1/4"-20 螺纹孔 | ⑤ Strap Slot
肩带 / 腕带接口 |
| ② ARRI 3/8"-16 Locating Hole
阿莱定位孔 | ⑥ QD Socket
QD 接口 |
| ③ Cold Shoe Mount
冷靴 | ⑦ Dual-Head Wrench
双头扳手 |
| ④ Arca-Swiss Plate
阿卡规格快装板 | ⑧ Side Lock Adapter
定位压块 |

Cage Installation / 拓展框安装步骤

1. Before installation, please use the Dual-Head Wrench to remove the side lock adapters on both sides of the cage first.
安装前，请先使用双头扳手，取下拓展框两侧定位压块。



2. Put the camera into the cage from back to the front.
将相机从后往前放入拓展框。



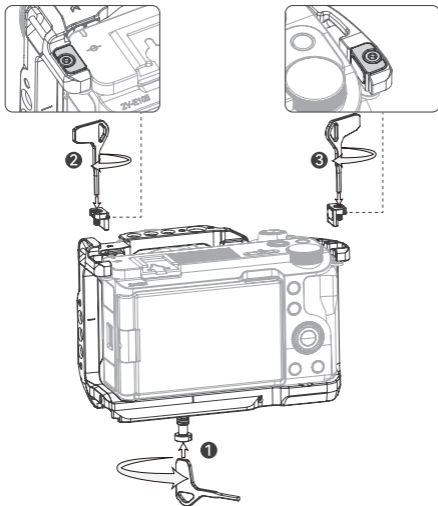
- * The package does not include the camera.
- * 相机机身需另购

3. Secure the cage use the Dual-Head Wrench to tighten the 1/4"-20 screw.

通过双头扳手拧紧底部1/4"-20 螺丝，锁紧固定拓展框。

4. Align the side lock adapters with the shoulder strap slots on both sides of the camera, and then use the Dual-Head Wrench to tighten the M3 screws to the side lock adapters on both sides.

将双侧定位压块对准相机两侧肩带槽，通过双头扳手拧紧双侧定位压块的M3 螺丝，固定拓展框和相机。



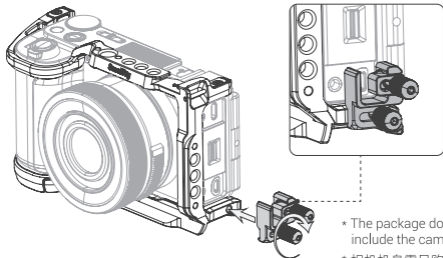
* The package does not include the camera.

* 相机机身需另购

HDMI Cable Clamp Installation Instruction / HDMI线夹安装步骤

1. Open the camera HDMI & USB-C interface cover, use thumbscrew to installation the cable clamp onto the cage.

打开相机HDMI接口盖，通过手拧螺丝将线夹安装至拓展框。

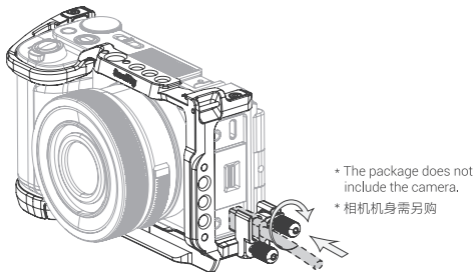


* The package does not include the camera.

* 相机机身需另购

2. Insert the cable and tighten the thumbscrews to secure the cable.

插入线材，通过手拧螺丝锁紧固定线材。



* The package does not include the camera.

* 相机机身需另购

Specifications / 产品参数

Product Dimensions 产品尺寸	5.9 × 3.4 × 2.3in 150.0 × 85.7 × 57.3mm
Product Weight 产品重量	4.4 ± 0.2oz 124.0 ± 5.0g
Material (s) 主要材质	Aluminum Alloy, Stainless Steel 铝合金、不锈钢
Compatibility 适配性	Sony ZV-E10 II 索尼 ZV-E10 II

- * Specifications subject to change without prior notice. Please refer to the physical product for the most up-to-date information.

技术参数如有改动，以实物为准，恕不另行通知。

Manufacturer: Shenzhen Leqi Innovation Co., Ltd.

Add: Rooms 103, 501 and 601, Building 5, Fenghe Industrial Park, Nos. 1301-50 Guanguang Road, Longhua District, Shenzhen, Guangdong, China.

制造商：深圳市乐其创新股份有限公司

地址：中国广东省深圳市龙华区观澜街道新澜社区观光路 1301-50 号丰和工业园厂房 5 栋 103、501、601

Consignor: Shenzhen LC Co., Ltd.

Add: Rooms 602, Building 5, Fenghe Industrial Park, No. 1301-50 Guanguang Road, Xinlan Community, Guanlan Street, Longhua District, Shenzhen, Guangdong, China.

委托商：深圳市乐长科技有限公司

地址：中国广东省深圳市龙华区观澜街道新澜社区观光路 1301-50 号丰和工业园厂房 5 栋 602

执行标准：GB/T 26572-2011

LQ-P1344-18



中国制造

Made in China