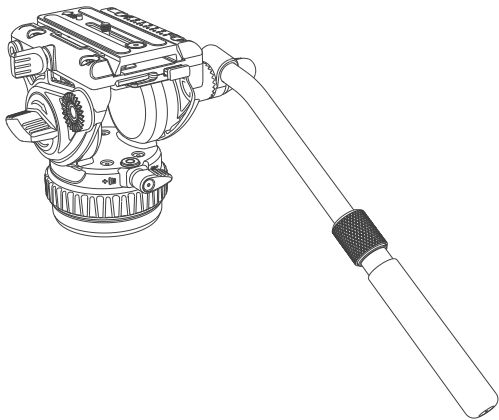


SmallRig



Heavy-Duty Video Head Mount Plate DH10

User Manual

In order to ensure user's safety and prevent the product damages caused by any improper use, please carefully read the "Warnings" below and properly keep this User Manual for future reference.

Foreword

Thank you for purchasing SmallRig's product.

Warnings



Ensure that all fasteners are tightened and safety catches engaged during work to prevent accidental damage or injury.



Do not use the product in temperatures below -20°C or above $+70^{\circ}\text{C}$. Contact with seawater is not recommended and may cause serious damage.



Do not leave the product exposed to high temperatures for long periods without protection, e.g. in a car at hot temperatures.



Ensure that the product is kept out the reach of children. Use it with extreme caution in hazardous locations.



The load capacity specified in the specifications must not be exceeded.



Do not scrub the spirit level, precision may be lost.



When transporting, remove photographic equipment to prevent it from falling out.



Do not use lubricants. Regular lubrication is not required.



To be on the safe side, do not use or store the product near electrical power sources and chemical substances.

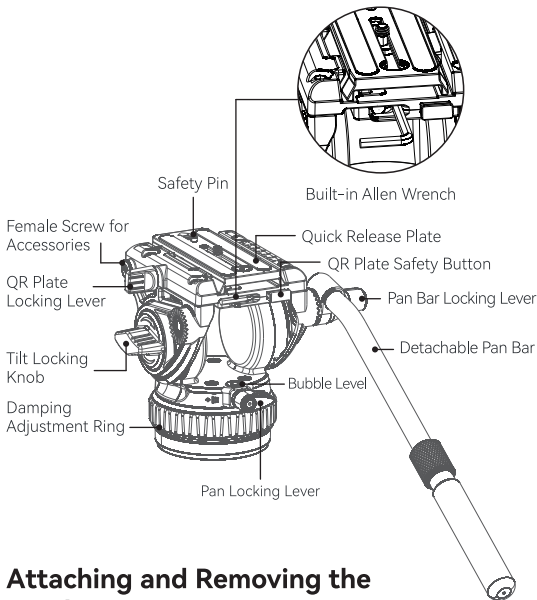


After use in wet, dirty or sandy environments, it is recommended to clean and dry the product with a soft cloth. Dirt, dust and sand in all closures and threads should be removed after use. Clean only with mild detergent or alcohol.



Please do not disassemble the product. If you have any question, please contact the seller to apply after-sales service.

Location of Components



Attaching and Removing the Quick Release Plate

a. Removing the QR plate from the head

Loosen the QR Plate Locking Lever, push the QR Plate Safety Button, and then take the plate out of the clamp.

b. Attaching the QR plate to your camera

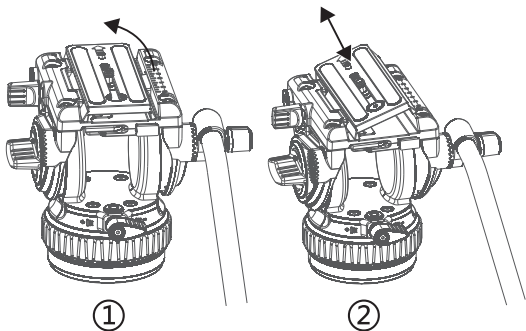
Attach the plate to the camera using the included 1/4"-20 or 3/8"-16 screw. Take care not to over-tighten the screw.

c. Attaching the camera with QR plate onto the head

Insert the angled part of the plate into the groove on the same side of the QR Plate Locking Lever and then press the plate down flat. The QR Safety Button will automatically engage the locking system and will return to the safety lock position. Tighten the QR Plate Locking Lever firmly to secure.

d. Removing the camera with QR Plate from the head

While holding the camera, loosen the QR Plate Locking Lever. Push the QR Plate Safety Button to pop up the QR plate, and then take the camera with QR plate away.

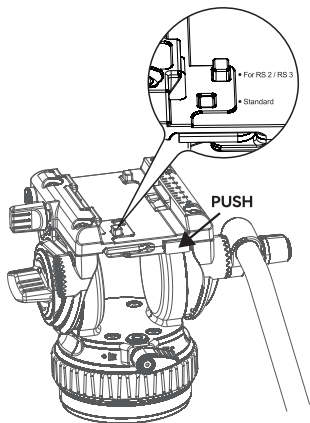


Dual Modes of Manfrotto and DJI

It is not only compatible with standard quick release plate, but also with DJI RS series quick release plate. You can easily change it between the Standard Mode and DJI RS Mode by the separate buttons.

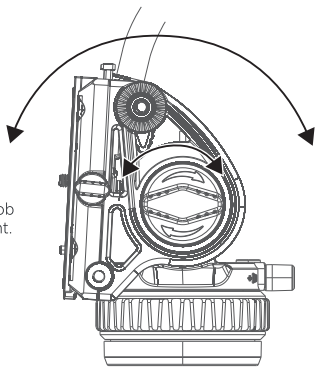
When one button is pushed down, the other one will be popped up. If you want to choose DJI RS mode, please keep the 'For RS 2 / RS 3' button UP. If you want to choose the Standard mode, please keep the 'Standard' button UP.

Note: You need to push the QR Plate Safety Button to release it before attaching the quick release plate.



Adjusting Tilt Position

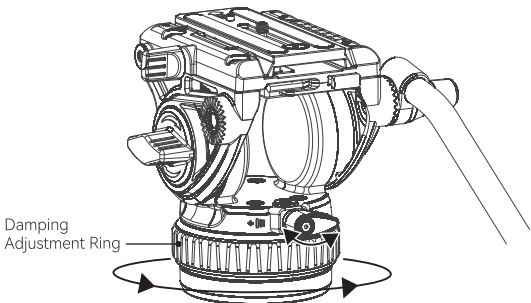
Unlock the Tilt Locking Knob for up and down movement.



Horizontal Adjustment

The base of the head has a panoramic damping fine adjustment ring, you can adjust the different damping degree, to achieve the best use of the state.

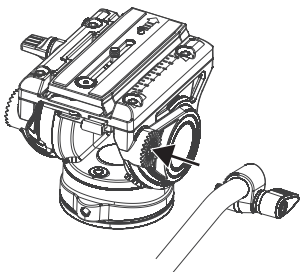
Note: Please loosen the base level locking knob before adjustment
When rotating clockwise, the damping is bigger, when rotating counterclockwise, the damping is smaller



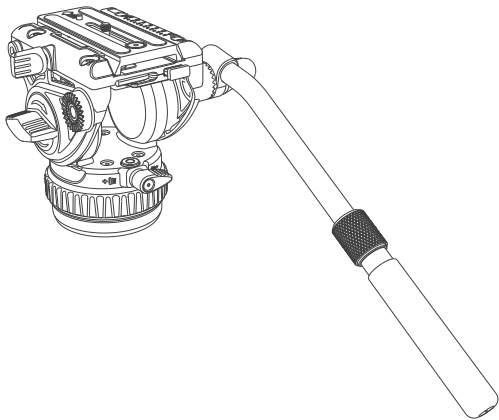
Unlock the Pan Locking Lever for 360° panning.

Installing Pan Bar

Place the pan bar in the desired position on the rosette and tighten the Pan Bar Locking Lever.



SmallRig



重型液压云台安装座 DH10

用户手册

为了保障使用者的安全以及防止不当使用导致产品损坏，请在使用前仔细阅读本手册的“重要提示”，并妥善保管好手册资料，以备随时查阅。

前言

感谢您购买 SmallRig 产品。

重要提示



使用此产品时，时常确认产品各锁紧装置是否处于锁紧的安全状态，避免意外损坏相机。



请勿在温度 -20°C 以下， 70°C 以上环境下使用本产品，不推荐在海水中使用本产品。



请勿长时间将产品放置在太阳下，避免长时间将产品放置在高温下，例如靠近汽车玻璃数小时。



在公共场所使用本产品时，请勿离人，避免小孩靠近，造成意外伤害。在危险的地方使用时，请谨慎操作。



使用此产品时，请不要超过规定的最大指定负重，这样可能会损坏产品。



请勿擦洗水平仪，否则可能会降低精准度。



禁止搭载设备 相机 等一起携带移动。



此产品不需要经常添加润滑油，若需要时，可使用标准机械用润滑油。



为了人身安全，在使用本产品时，请勿靠近高电压区域，或与强效化学物品接触。

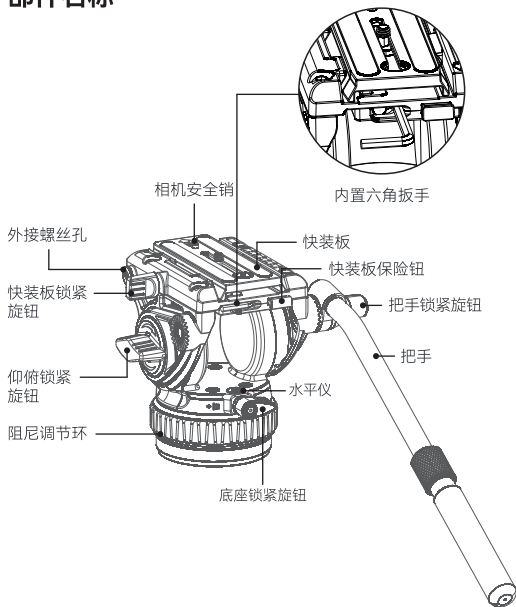


在潮湿、泥沙、风尘等环境中使用过后，建议用软布来清洁并擦干该产品。请使用温和的清洁剂或酒精擦拭。



请勿拆卸产品，如果您怀疑产品有任何问题，请联络购买平台，申请售后处理。

部件名称



快装板安装及拆卸

a. 从云台上移出快装板

松开快装板锁紧旋钮，然后按下快装板保险钮取出快装板。

b. 安装快装板到相机上

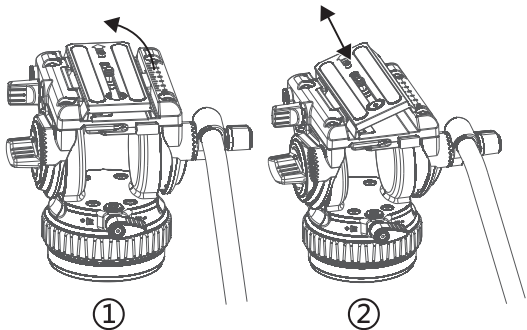
通过1/4"-20或3/8"-16螺丝把快装板安装在相机底部，注意螺丝不要拧过紧。

c. 安装带快装板的相机到云台上

把快装板的一侧对齐保险钮可自动上锁，然后在拧紧快装板锁紧旋钮更安全。

d. 从云台上移出带快装板的相机

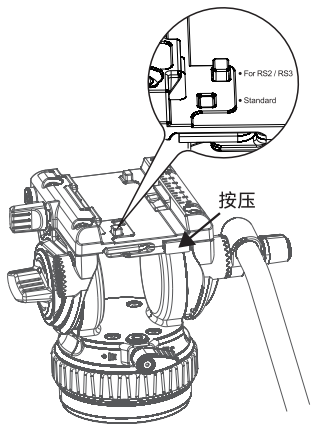
手握着相机，松开快装板锁紧旋钮，然后按压快装板保险钮可取出相机。



DJI RS系列稳定器板槽兼容

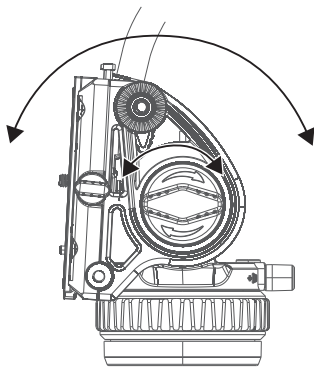
这款云台可分别兼容曼富图和DJI RS 2 / RS 3快装板类型（使用前设置）

注意：从侧面按压快装板前，快装板保险钮需要先按下去。



仰俯调整

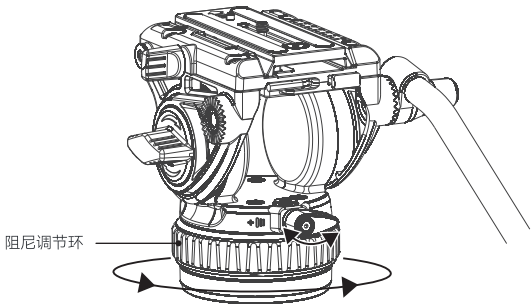
松开仰俯锁紧旋钮即可
实现上下倾斜。



水平旋转

云台底座有全景阻尼微调调节环，可以调节不同的阻尼度，达到最佳的使用状态。

注意：调节前请松开底座水平锁紧旋钮，顺时针旋转时，阻尼越大，逆时针旋转时，阻尼越小



松开底座水平锁紧旋钮可实现底座360°水平旋转。

安装手柄

将手柄螺丝安装到齿轮螺纹孔内，锁紧即可。

